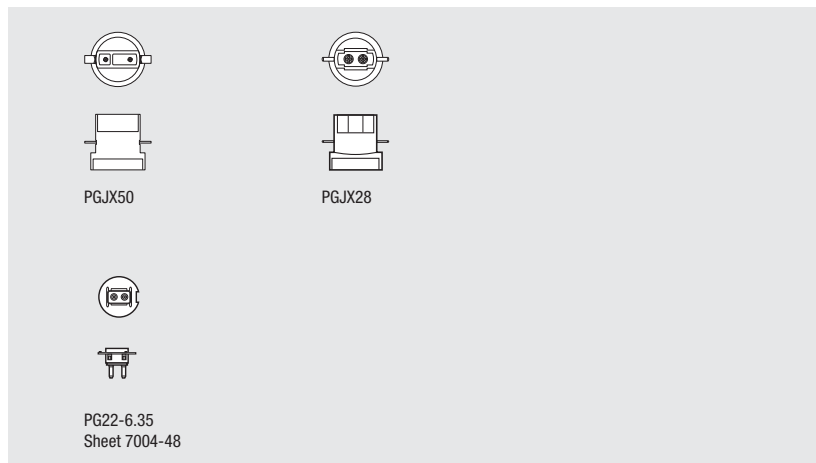
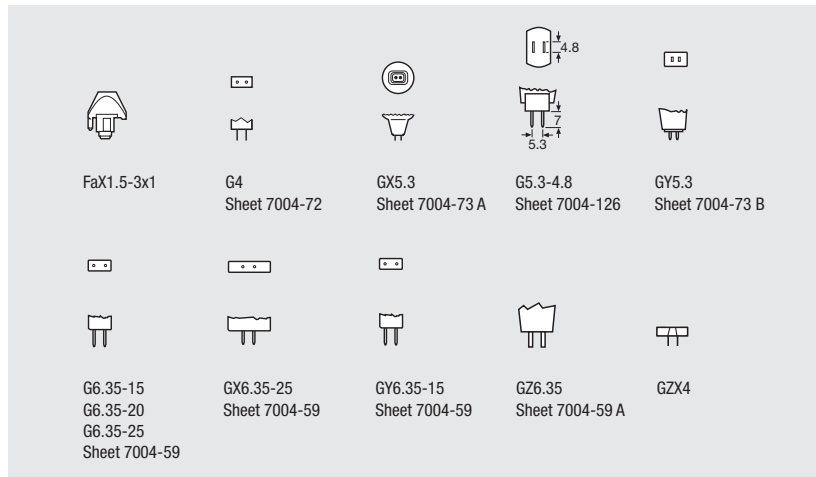
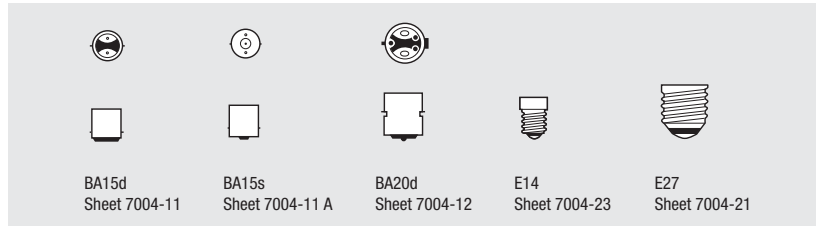
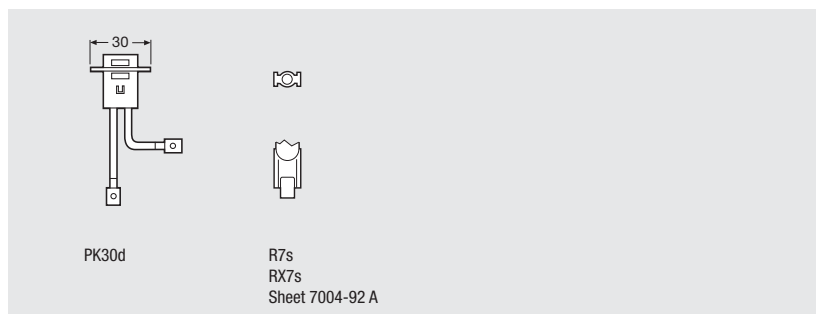
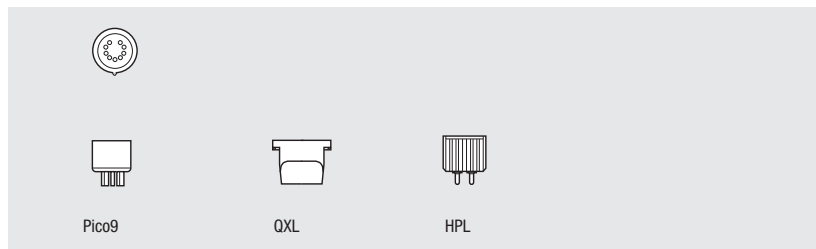
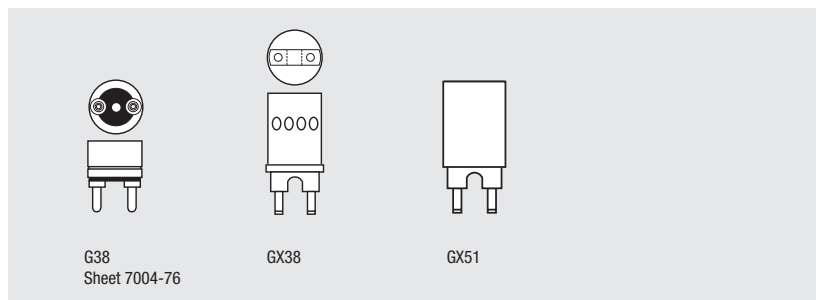
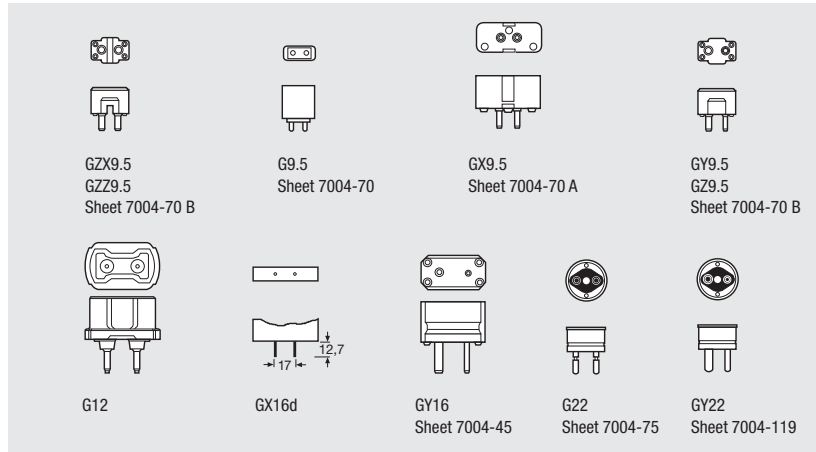


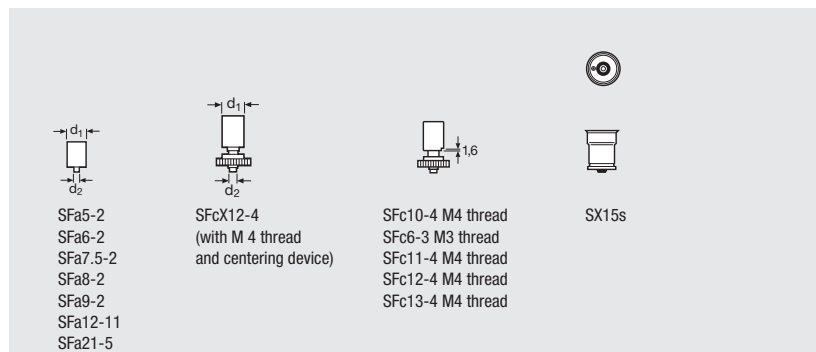
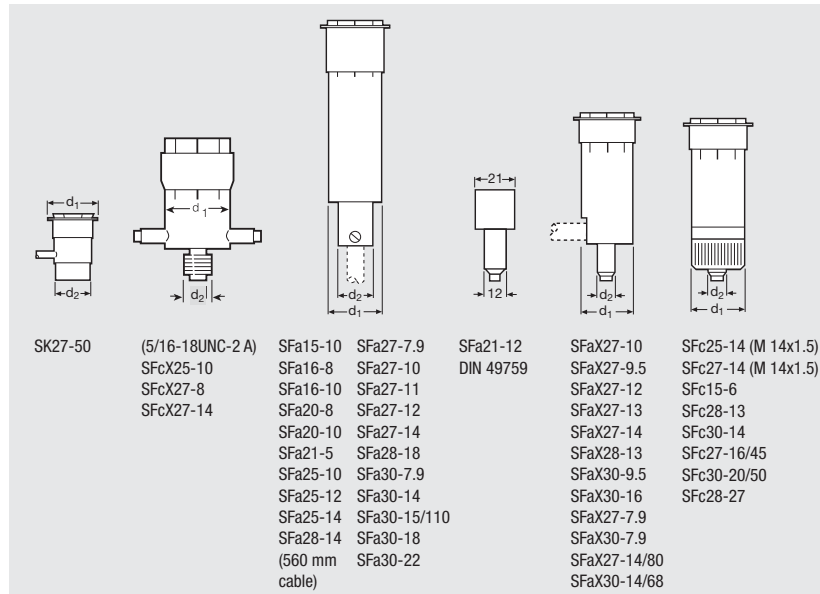
## Bases IEC/EN 60061-1



## Bases IEC/EN 60061-1



## Bases



The first number in the base reference (e.g. SFa9-2) means that the base sleeve has a diameter ( $d_1$ ) of 9 mm and the small cylindrical fitting a diameter ( $d_2$ ) of 2 mm. For the SFaX27-10 base, the 27 indicates the sleeve diameter ( $d_1$ ) and the 10 the diameter of the base pin ( $d_2$ ); for bases with threads the second number is the thread diameter ( $d_2$ ).