

## Technical Information

No. FO 4758

Edition: 11/04 - subject to change

Substitutes: 06/04

Status: valid



Metal Halide Lamp

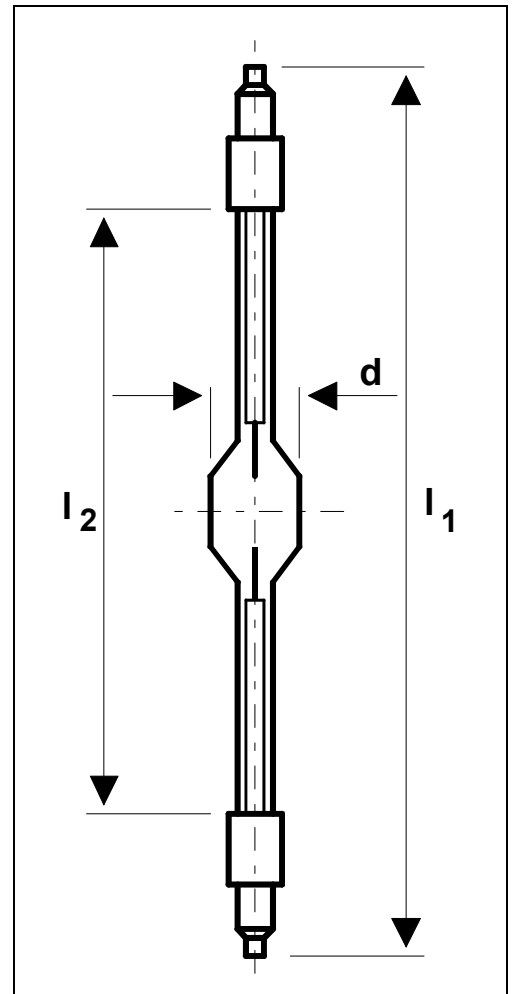
# HMI<sup>®</sup> 2500 W/S

### ■ Product description

The OSRAM HMI<sup>®</sup> 2500 W/S is a double-ended metal halide lamp in particular compact design. The shorter lamp arms - compared to the HMI<sup>®</sup> 2500 W/GS - allow the construction of smaller luminaries. XS-Technology is applied increasing the thermal robustness of the lamp, but forced cooling is mandatory anyway. The HMI<sup>®</sup> 2500 W/S is characterized by a high luminous flux and hot restart ability.

### ■ Technical data

Order reference		HMI <sup>®</sup> 2500 W/S
Rated lamp wattage	W	2,500
Rated lamp voltage	V	115
Rated lamp current (~)	A	25.6
Ignition voltage (cold / hot)	kV <sub>s</sub>	5 / 45 (max. 55)
Luminous flux	lm	240,000
Color temperature	K	6,000
Color rendering index	Ra	> 90
Electrode gap e	mm	14
Lamp length (overall) l <sub>1</sub>	mm	210
Lamp length l <sub>2</sub>	mm	150
Bulb diameter d	mm	31.5
Average service life	h	500
Base		SFa 21



### ■ Lamp operation

Maximum permissible base temperature	°C	230
Cooling	forced cooling necessary	
Burning position	horizontal ± 30°, p 30	

The HMI<sup>®</sup> 2500 W/S can either be operated on standard ballasts or on electronic power supplies (ECG).

### ■ Manufacturers of igniters and control gear (not all officially approved by OSRAM)

Igniters:	BAUCH 905 and 922, Vagnini 25100K
Ballasts:	Power Gems EB 250 and 250 CD, Vagnini AL 2500
ECGs:	May & Christe HMI 2500W-5i, LEJ ebm 2500, DESISTI 2425

Further information on operating and control gears requirements is available with the OSRAM brochure "Guidelines for Control Gear and Igniters - Metal Halide Lamps Photo Optic", order reference 123T01E.