

Technical Information

No. FO 4294

Edition: 11/04 - subject to change

Supersedes: Edition 02/02

Status: valid

Metal Halide Lamp

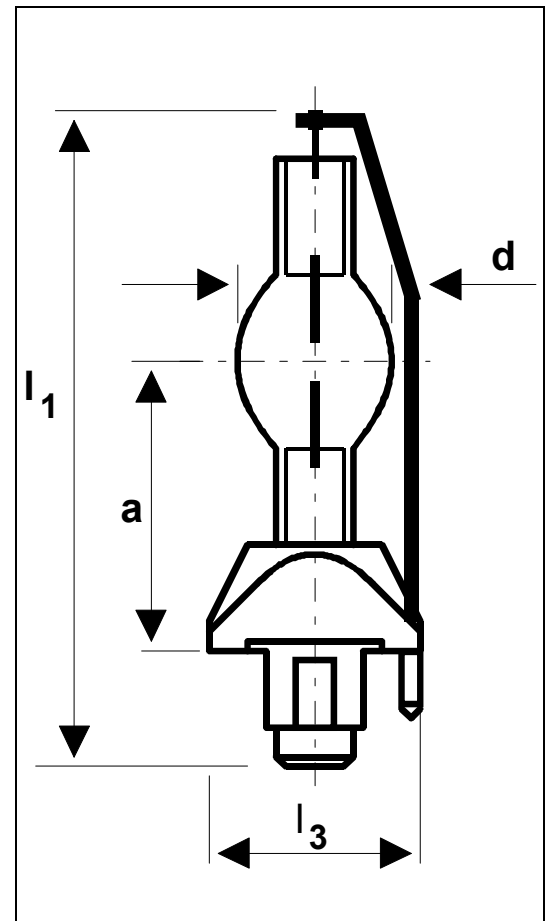
HMI[®] 250 W/SE

■ Product description

The OSRAM HMI[®] 250 W/SE is a metal halide lamp without outer bulb. Due to its compact design and the single-ended base a high system efficacy is achieved. Square wave operation and hot restart capability provide absolutely flickerfree light at any moment and make the HMI[®] 250 W/SE especially suitable for film and TV-recording.

■ Technical data

Order reference		HMI [®] 250 W/SE
Rated lamp wattage	W	270
Rated lamp voltage	V	50
Rated lamp current (square wave)	A	5.4
Ignition voltage (cold / hot)	kV _s	5 / 20
Luminous flux	lm	16,200
Luminous efficacy	lm/W	60
Color temperature	K	6,000
Color rendering index	Ra	> 90
Light arc length	mm	5
Lamp length (overall) l_1	mm	max. 84
Lamp length l_3	mm	27
Bulb diameter d	mm	max. 12.5
LCL a	mm	35
Average service life	h	250
Base		FaX 1,5



■ Lamp operation

Maximum pinch seal temperature allowed	°C	350
Cooling		Convection
Burning position		horizontal ± 45°, p 45

The HMI[®] 250 W/SE is designed for being operated on electronic power supplies (ECG).

■ Manufacturers of igniters and control gear (not all officially approved by OSRAM)

Igniters:	Hansmann ZG 200 PRO and ZG 500 PRO; Mitronic ZGV 40-12 and ZGV 40-11
ECGs:	Kobold NE A0/G2; Sachtler Batronic 270 and Netronic 270; Hansmann ER 270; Mitronic PE 400-25 und PE 575 AD; Schiederwerk EVG 2-25

Further information on operating and control gears requirements is available with the OSRAM brochure "Guidelines for Control Gear and Igniters - Metal Halide Lamps Photo Optics", order reference 123T01E.