

# Installation instructions

11 / 2007



## IR receiver for ceiling installation EASY IR CI

OSRAM GmbH  
Customer-Service-Center (CSC)  
Steinerne Furt 62  
86167 Augsburg, Germany

Tel. : (+49) 1803 / 677 - 200 (charges apply)  
Fax.: (+49) 1803 / 677 - 202

[www.osram.com](http://www.osram.com)  
[www.osram.de](http://www.osram.de)

### General

#### Function

The IR-receiver converts the digital coded infra-red signals of the remote controls type EASY RMC into corresponding telegrams and transmits them to the connected DALI EASY and OT EASY control units.

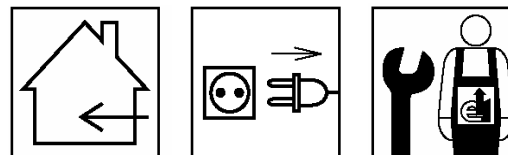
The IR receiver is installed recessed in the ceiling or mounted on top with an adapter ring (accessory). Make sure that the remote control can point at the infra-red sensor at as steep an angle as possible. Bear in mind that the maximum range of the remote control is around 10-15 meters. For optimal orientation of the detection area, the inner ball of the sensor can be tilted up to 30° in all directions.

The connection cable of the IR receiver can be lengthened with modular 4/4 cable connection or with common 4 pole installation cable (max. cable length see technical data in the appendix).

#### Note:

**Make sure that there is a line of sight between the IR receiver and the remote control. Up to four IR receivers may be connected. To ensure that the remote control function operates properly, the IR receiver must not be exposed to direct light. Wherever possible, mount the IR receiver in a shaded spot.**

#### Safety information

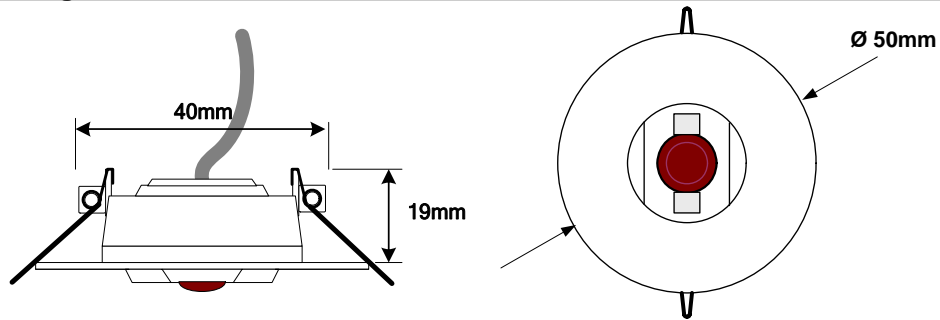


*The following information is provided for your safety:*

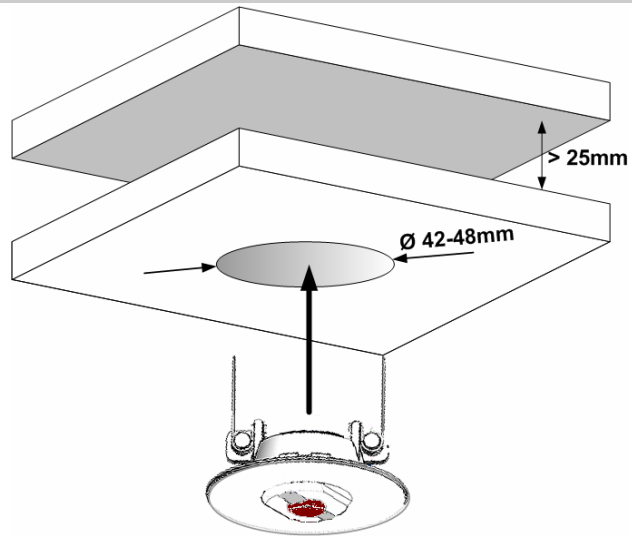
- Please read these installation instructions carefully before installing and using the infra-red receiver EASY IR CI. This is the only way to ensure that you use the equipment safely and correctly. Keep these installation instructions in a safe place for future reference. You should make sure that everyone who uses the EASY IR CI has read these installation instructions.
- The EASY IR CI is intended exclusively for operating with EASY control units (see technical data).
- The EASY IR CI may only be installed by qualified personnel who have been appropriately trained and who have the relevant authority. The installation personnel must be familiar with the installation instructions. Power must be switched off before any work is undertaken on the unit.
- When installing ensure SELV sufficient insulation against all line voltage parts.
- The relevant safety and accident prevention regulations must be observed.
- If the Infra-red receiver is wired with external voltage, particularly with a mains voltage of 230 V, the unit may be destroyed.

## Installation

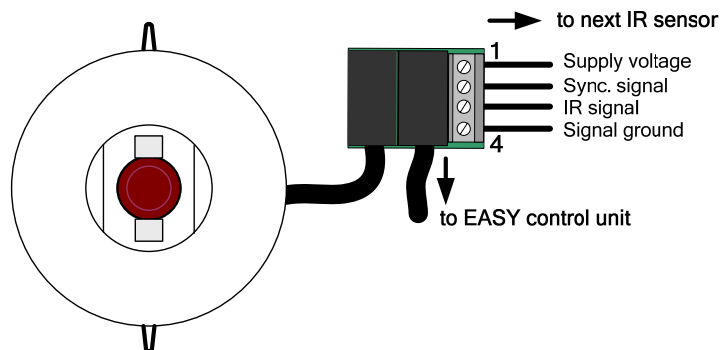
### Design and dimensions



### Ceiling installation



### Connection



## Appendix

### Technical data

<b>Designation:</b>	EASY IR CI
<b>Connection:</b>	- modular 4/4 connector (1: Supply voltage, 2: Sync signal, 3: IR -signal, 4: Signal ground) - max. 100m cable length in total (incl. all connections to EASY control units) - Separate connection cable from lamp and line voltage cables
<b>Ambient temperature:</b>	0°...+ 50°C
<b>Protection type:</b>	IP20
<b>CE requirements:</b>	EN 61347-11, EMC accord. EN 61547
<b>Dimensions:</b>	50 x 25mm (Ø x h)

### Accessories (not included)

Designation	Description	Product number
Y-CONNECTOR	Branch with modular 4/4 connectors for connection of additional sensors	4050300803135
Y-CONNECTOR Screw	Branch with screw terminals for connection of additional sensors	4008321916686
SENSOR MOUNTING KIT	Adapter for on top ceiling mounting of the EASY IR CI sensor	4008321916662

### Suitable control units (not included)

Designation	Description	Product number
DALI EASY	Control unit with DALI interface	4008321053046
OT EASY	LED control unit	4008321187796