
Product datasheet

DULUX F 18 W/830 2G10

OSRAM DULUX F | Flat CFLni, 2 tubes, with 4-pin base for ECG/CCG operation



Product datasheet

Technical data

Additional product data

Appropriate disposal acc. to WEEE	Yes
-----------------------------------	-----

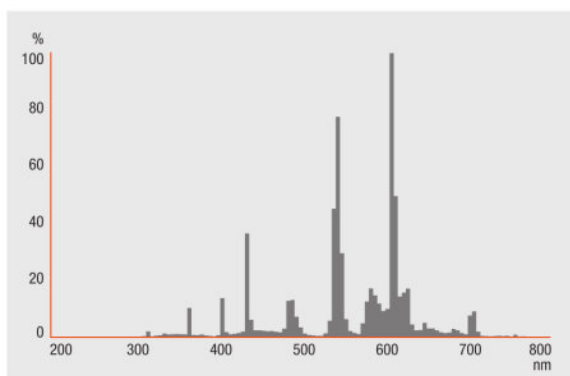
Certificates & standards

Energy efficiency class	G
-------------------------	---

Environmental information

Information according Art. 33 of EU Regulation (EC) 1907/2006 (REACH)	
Date of Declaration	03-02-2023
Declaration No. in SCIP database	In work

Light Distribution

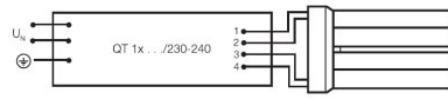
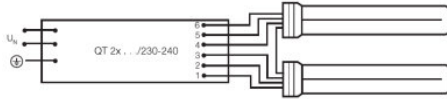


FL_830

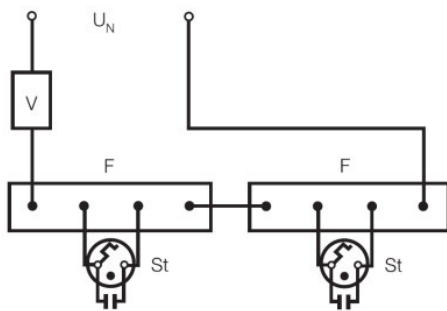
Equipment / Accessories

- Suitable for operation on electronic and conventional control gear

Product datasheet

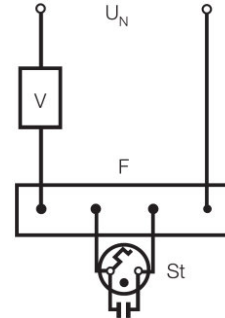


SERIES CONNECTION WITH QUICKTRONIC



SERIES CONNECTION TO 230V ONLY WITH STARTER ST151

SINGLE LAMP WITH QUICKTRONIC



SINGLE LAMP STARTER ST 111 OR ST 171

Ecodesign regulation information:

Separate control gear and light sources must be disposed of at certified disposal companies in accordance with Directive 2012/19/EU (WEEE) in the EU and with Waste Electrical and Electronic Equipment (WEEE) Regulations 2013 in the UK. For this purpose, collection points for recycling centres and take-back systems (CRSO) are available from retailers or private disposal companies, which accept separate control gear and light sources free of charge. In this way, raw materials are conserved and materials are recycled.

References / Links

For more information on QUICKTRONIC electronic control gear go to

▶ www.osram.com/QUICKTRONIC

Disclaimer

Subject to change without notice. Errors and omission excepted. Always make sure to use the most recent release.

OSRAM is distribution partner
of LEDVANCE of LAMPS

OSRAM

OSRAM GmbH
Marcel-Breuer-Strasse 6
80807 Munich, Germany

DULUX F 18 W/830 2G10

OSRAM DULUX F | Flat CFLni, 2 tubes, with 4-pin base for ECG/CCG operation

Product name	Product name ECG	EAN	Nominal current	Nominal wattage + Power loss	Power factor λ [PIM]	Luminous flux at 35 °C
DULUX F 18 W/830 2G10	QT-ECO 1x18-24/220-240 S	4050300638560	0.13 A	18.00 W	0.60 c	1000 lm
	QTi DALI 2x18 DIM	4050300870526	0.16 A	37.00 W	0.97	1100 lm
	QTi DALI 3x18 DIM	4008321069979	0.24 A	53.60 W	0.98	1100 lm
	QTi DALI 4x18 DIM	4008321070050	0.31 A	69.30 W	0.98	1100 lm
	QTP-M 1x26-42	4008321329134	0.09 A	19.00 W	0.88 c	1050 lm
	QTP-M 2x26-32	4008321329158	0.16 A	36.00 W	0.95	1050 lm
	QTP-OPTIMAL 1x18-40	4008321873743	0.08 A	18.00 W	0.90 c	1050 lm
	QTP-OPTIMAL 2x18-40	4008321873767	0.16 A	33.00 W	0.95	1050 lm

Product name	Product name ECG	EAN	Number of lighting outlets	EEI – Energy Label
DULUX F 18 W/830 2G10	QT-ECO 1x18-24/220-240 S	4050300638560	1	A2
	QTi DALI 2x18 DIM	4050300870526	2	
	QTi DALI 3x18 DIM	4008321069979	3	
	QTi DALI 4x18 DIM	4008321070050	4	
	QTP-M 1x26-42	4008321329134	1	
	QTP-M 2x26-32	4008321329158	2	
	QTP-OPTIMAL 1x18-40	4008321873743	1	

Product datasheet

Product name	Product name ECG	EAN	Number of lighting outlets	EEI – Energy Label
	QTP-OPTIMAL 2x18-40	4008321873767	2	