

---

# Product datasheet

## DULUX F 18 W/840 2G10

OSRAM DULUX F | Flat CFLni, 2 tubes, with 4-pin base for ECG/CCG operation



## Product datasheet

### Technical data

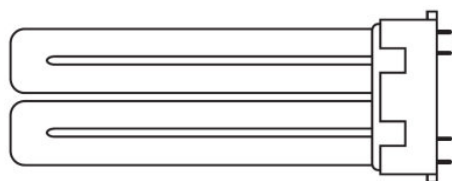
#### Electrical data

Nominal current	0.38 A A
-----------------	----------

#### Photometrical data

Light color (designation)	LUMILUX Cool White
Rated LLMF at 4,000 h	0.86
Rated LLMF at 6,000 h	0.83
Rated LLMF at 8,000 h	0.81
Rated LLMF at 12,000 h	0.77
Luminous flux	1100 lm
Color rendering index Ra	≥80

#### Dimensions & weight



Overall length	128.00 mm
Tube diameter	17,5 mm
Length with base excl. base pins/connection	121,0 mm
Product weight	69.15 g

#### Temperatures & operating conditions

Ambient temperature range	-5...+40 °C
---------------------------	-------------

#### Lifespan

Service life	9000 h
Nominal lamp life time	13000 h

#### Additional product data

Mercury content	2.5 mg
-----------------	--------

## Product datasheet

Appropriate disposal acc. to WEEE	Yes
-----------------------------------	-----

### Certificates & standards

Energy efficiency class	G
Energy consumption	18.00 kWh/1000h

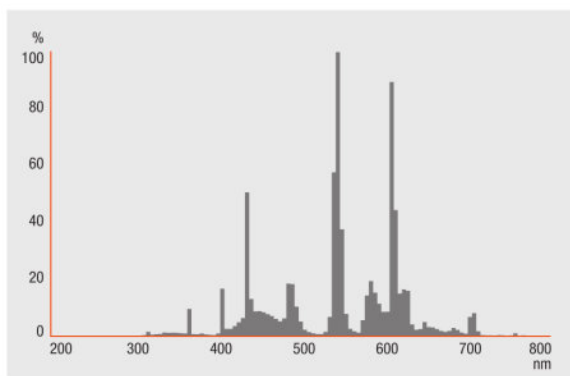
### Country specific categorizations

ILCOS	FSD-18/840-E-2G10-90/122
-------	--------------------------

### Environmental information

Information according Art. 33 of EU Regulation (EC) 1907/2006 (REACH)	
Date of Declaration	18-04-2022
Primary Article Identifier	4050300333526
Declaration No. in SCIP database	In work

### Light Distribution

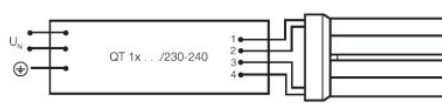
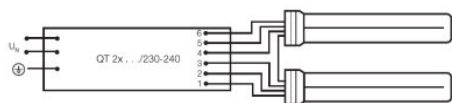


FL\_840

### Equipment / Accessories

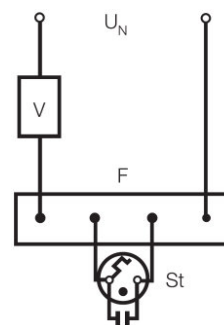
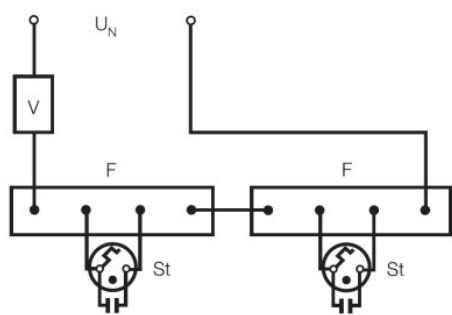
- Suitable for operation on electronic and conventional control gear

## Product datasheet



### SERIES CONNECTION WITH QUICKTRONIC

### SINGLE LAMP WITH QUICKTRONIC



### SERIES CONNECTION TO 230V ONLY WITH STARTER ST151

### SINGLE LAMP STARTER ST 111 OR ST 171

### Ecodesign regulation information:

Separate control gear and light sources must be disposed of at certified disposal companies in accordance with Directive 2012/19/EU (WEEE) in the EU and with Waste Electrical and Electronic Equipment (WEEE) Regulations 2013 in the UK. For this purpose, collection points for recycling centres and take-back systems (CRSO) are available from retailers or private disposal companies, which accept separate control gear and light sources free of charge. In this way, raw materials are conserved and materials are recycled.

### Logistical Data

Product code	Product description	Packaging unit (Pieces/Unit)	Dimensions (length x width x height)	Volume	Gross weight
4050300333526	DULUX F 18 W/840 2G10	Shipping carton box 10 Pieces Folding carton box	280 mm x 105 mm x 150 mm	4.41 dm <sup>3</sup>	1066.00 g

## Product datasheet

The mentioned product code describes the smallest quantity unit which can be ordered. One shipping unit can contain one or more single products. When placing an order, for the quantity please enter single or multiples of a shipping unit.

---

### References / Links

For more information on QUICKTRONIC electronic control gear go to

▶ [www.osram.com/QUICKTRONIC](http://www.osram.com/QUICKTRONIC)

---

### Disclaimer

Subject to change without notice. Errors and omission excepted. Always make sure to use the most recent release.

OSRAM is distribution partner  
of LEDVANCE of LAMPS

**OSRAM**

OSRAM GmbH  
Marcel-Breuer-Strasse 6  
80807 Munich, Germany

## DULUX F 18 W/840 2G10

OSRAM DULUX F | Flat CFLni, 2 tubes, with 4-pin base for ECG/CCG operation

Product name	Product name ECG	EAN	Nominal current	Nominal wattage + Power loss	Power factor λ [PIM]	Luminous flux at 35 °C
DULUX F 18 W/840 2G10	QT-ECO 1x18-24/220-240 S	4050300638560	0.13 A	18.00 W	0.60 c	1000 lm
	QTi DALI 2x18 DIM	4050300870526	0.16 A	37.00 W	0.97	1100 lm
	QTi DALI 3x18 DIM	4008321069979	0.24 A	53.60 W	0.98	1100 lm
	QTi DALI 4x18 DIM	4008321070050	0.31 A	69.30 W	0.98	1100 lm
	QTP-M 1x26-42	4008321329134	0.09 A	19.00 W	0.88 c	1050 lm
	QTP-M 2x26-32	4008321329158	0.16 A	36.00 W	0.95	1050 lm
	QTP-OPTIMAL 1x18-40	4008321873743	0.08 A	18.00 W	0.90 c	1050 lm
	QTP-OPTIMAL 2x18-40	4008321873767	0.16 A	33.00 W	0.95	1050 lm

Product name	Product name ECG	EAN	Number of lighting outlets	EEI – Energy Label
DULUX F 18 W/840 2G10	QT-ECO 1x18-24/220-240 S	4050300638560	1	A2
	QTi DALI 2x18 DIM	4050300870526	2	
	QTi DALI 3x18 DIM	4008321069979	3	
	QTi DALI 4x18 DIM	4008321070050	4	
	QTP-M 1x26-42	4008321329134	1	
	QTP-M 2x26-32	4008321329158	2	
	QTP-OPTIMAL 1x18-40	4008321873743	1	

## Product datasheet

Product name	Product name ECG	EAN	Number of lighting outlets	EEI – Energy Label
	QTP-OPTIMAL 2x18-40	4008321873767	2	