
Product family datasheet

LUMILUX T5 FC

Circular fluorescent lamps 16 mm, with 2GX13 base



Product family datasheet

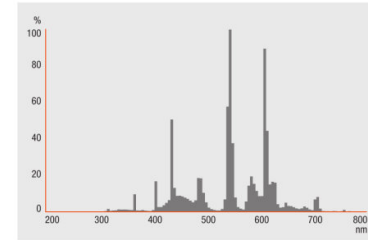
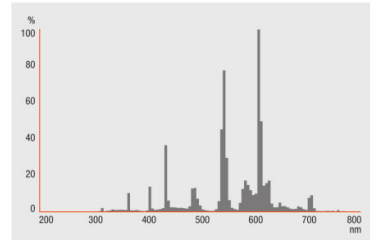
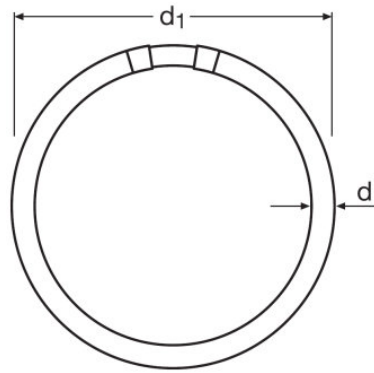
Technical data

Product description	Electrical data	Photometrical data	Dimensions & weight			Additional product data	Certificates & standards
	Nominal current	Light color (designation)	Tube diameter	Product weight	Overall length	Product remark	Energy efficiency class
FC 22 W/830 ¹⁾	0.3 A A	LUMILUX Warm White	16 mm	81.00 g	240.00 mm	Suitable for ECG operation only	G
FC 22 W/840 ¹⁾	0.3 A A	LUMILUX Cool White	16 mm	81.00 g	240.00 mm	Suitable for ECG operation only	G
FC 40 W/830 ¹⁾	0.32 A A	LUMILUX Warm White	16 mm	103.2 g	315.00 mm	Suitable for ECG operation only	G
FC 40 W/840 ¹⁾	0.32 A	LUMILUX Cool White	16 mm	83.75 g	315.00 mm	Suitable for ECG operation only	G

Product description	Energy consumption	Environmental information Information according Art. 33 of EU Regulation (EC) 1907/2006 (REACH)		
		Date of Declaration	Primary Article Identifier	Declaration No. in SCIP database
FC 22 W/830 ¹⁾	24.00 kWh/1000h	19-01-2022	4050300528489	In work
FC 22 W/840 ¹⁾	24.00 kWh/1000h	19-01-2022	4050300528465	In work
FC 40 W/830 ¹⁾	42.00 kWh/1000h	19-01-2022	4050300528540	In work
FC 40 W/840 ¹⁾	43.89 kWh/1000h	19-01-2022	4050300528526	In work

¹⁾ Suitable for ECG operation only

Product family datasheet



FC 22 W/830, FC 22 W/840, FC 40
W/830, FC 40 W/840

FC 22 W/830, FC 40 W/830

FC 22 W/840, FC 40 W/840

System guarantee

OSRAM System+ Guarantee in combination with OSRAM ECGs

Equipment / Accessories

– Exclusively for operation on electronic control gears

Product family datasheet

Application advice

For more detailed application information and graphics please see product datasheet.

Ecodesign regulation information:

Separate control gear and light sources must be disposed of at certified disposal companies in accordance with Directive 2012/19/EU (WEEE) in the EU and with Waste Electrical and Electronic Equipment (WEEE) Regulations 2013 in the UK. For this purpose, collection points for recycling centres and take-back systems (CRSO) are available from retailers or private disposal companies, which accept separate control gear and light sources free of charge. In this way, raw materials are conserved and materials are recycled.

Logistical Data

Product code	Product description	Packaging unit (Pieces/Unit)	Dimensions (length x width x height)	Volume	Gross weight
4050300528489	FC 22 W/830	Shipping carton box 12	375 mm x 245 mm x 253 mm	23.24 dm ³	1865.00 g
4050300528465	FC 22 W/840	Shipping carton box 12	375 mm x 245 mm x 253 mm	23.24 dm ³	1865.00 g
4050300528540	FC 40 W/830	Shipping carton box 12	375 mm x 320 mm x 328 mm	39.36 dm ³	2787.00 g
4050300528526	FC 40 W/840	Shipping carton box 12	375 mm x 320 mm x 328 mm	39.36 dm ³	2787.00 g
4050300528526	FC 40 W/840	Shipping carton box 12	319 mm x 300 mm x 324 mm	31.01 dm ³	2646.00 g

The mentioned product code describes the smallest quantity unit which can be ordered. One shipping unit can contain one or more single products. When placing an order, for the quantity please enter single or multiples of a shipping unit.

Product family datasheet

References / Links

For more information on the system guarantee and the terms and conditions of the guarantee visit

- ▶ www.osram.com/system-guarantee

For more information on QUICKTRONIC electronic control gear go to

- ▶ www.osram.com/QUICKTRONIC

Disclaimer

Subject to change without notice. Errors and omission excepted. Always make sure to use the most recent release.

OSRAM is distribution partner
of LEDVANCE of LAMPS

OSRAM

OSRAM GmbH
Marcel-Breuer-Strasse 6
80807 Munich, Germany