

Product datasheet

FC 22 W/865

LUMILUX T5 FC | Circular fluorescent lamps 16 mm, with 2GX13 base



Product datasheet

Technical data

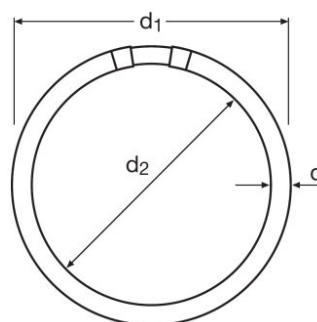
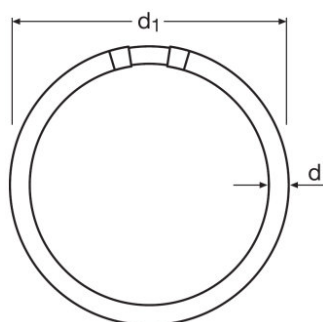
Electrical data

| | |
|-----------------|---------|
| Nominal current | 0.3 A A |
|-----------------|---------|

Photometrical data

| | |
|---------------------------|-----------------------|
| Light color (designation) | LUMILUX Cool Daylight |
| Rated LLMF at 2,000 h | 0.85 |
| Rated LLMF at 4,000 h | 0.83 |
| Rated LLMF at 6,000 h | 0.8 |
| Rated LLMF at 8,000 h | 0.8 |
| Rated LLMF at 12,000 h | 0.75 |
| Luminous flux | 1700 lm |

Dimensions & weight



| | |
|----------------|-----------|
| Tube diameter | 16 mm |
| Product weight | 81.00 g |
| Overall length | 240.00 mm |

Lifespan

| | |
|--------------|--------|
| Service life | 8000 h |
|--------------|--------|

Additional product data

| | |
|-----------------------------------|---------------------------------|
| Mercury content | 3.0 mg |
| Product remark | Suitable for ECG operation only |
| Appropriate disposal acc. to WEEE | Yes |

Certificates & standards

| | |
|-------------------------|---|
| Energy efficiency class | G |
|-------------------------|---|

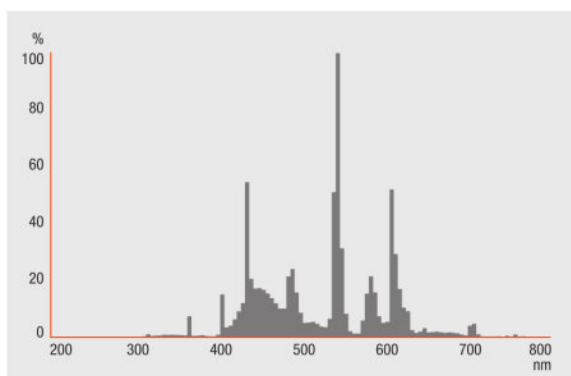
Product datasheet

| | |
|--------------------|-----------------|
| Energy consumption | 24.00 kWh/1000h |
|--------------------|-----------------|

Environmental information

| Information according Art. 33 of EU Regulation (EC) 1907/2006 (REACH) | |
|---|---------------|
| Date of Declaration | 19-01-2022 |
| Primary Article Identifier | 4050300528441 |
| Declaration No. in SCIP database | In work |

Light Distribution



FL_865

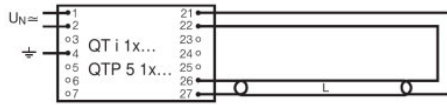
System guarantee

OSRAM System+ Guarantee in combination with OSRAM ECGs

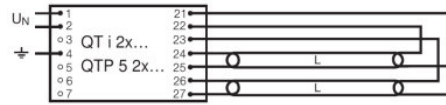
Equipment / Accessories

– Exclusively for operation on electronic control gears

Product datasheet



QUICKTRONIC INTELLIGENT QT i 1x QTP 5 1x



QUICKTRONIC INTELLIGENT QT i 2x QTP 5 2x

Ecodesign regulation information:

Separate control gear and light sources must be disposed of at certified disposal companies in accordance with Directive 2012/19/EU (WEEE) in the EU and with Waste Electrical and Electronic Equipment (WEEE) Regulations 2013 in the UK. For this purpose, collection points for recycling centres and take-back systems (CRSO) are available from retailers or private disposal companies, which accept separate control gear and light sources free of charge. In this way, raw materials are conserved and materials are recycled.

References / Links

For more information on the system guarantee and the terms and conditions of the guarantee visit

- ▶ www.osram.com/system-guarantee

For more information on QUICKTRONIC electronic control gear go to

- ▶ www.osram.com/QUICKTRONIC

Disclaimer

Subject to change without notice. Errors and omission excepted. Always make sure to use the most recent release.

OSRAM is distribution partner
of LEDVANCE of LAMPS

OSRAM

OSRAM GmbH
Marcel-Breuer-Strasse 6
80807 Munich, Germany

FC 22 W/865

LUMILUX T5 FC | Circular fluorescent lamps 16 mm, with 2GX13 base

| Product name | Product name ECG | EAN | Nominal current | Nominal wattage + Power loss | Power factor λ [PIM] | Luminous flux at 35 °C |
|--------------|--------------------------|---------------|-----------------|------------------------------|------------------------------|------------------------|
| FC 22 W/865 | QT-ECO 1x18-24/220-240 S | 4050300638560 | 0.16 A | 22.50 W | 0.60 c | 1650 lm |
| | QTi 1x14/24/21/39 GII | 4008321383334 | 0.15 A | 25.00 W | 0.94 c | 1800 lm |
| | QTi 1x14/24 DIM | 4050300870922 | 0.11 A | 25.00 W | 0.98 | 1750 lm |
| | QTi 2x14/24/21/39 GII | 4008321383396 | 0.21 A | 49.00 W | 0.96 | 1800 lm |
| | QTi 2x14/24 DIM | 4050300870946 | 0.22 A | 49.00 W | 0.98 | 1750 lm |
| | QTi 3x14/24 DIM | 4008321069719 | 0.32 A | 73.00 W | 0.99 | 1750 lm |
| | QTi 4x14/24 DIM | 4008321069993 | 0.43 A | 98.00 W | 0.99 | 1750 lm |
| | QTi DALI 1x14/24 DIM | 4050300870380 | 0.11 A | 25.00 W | 0.98 | 1750 lm |
| | QTi DALI 2x14/24 DIM | 4050300870861 | 0.22 A | 49.00 W | 0.98 | 1750 lm |
| | QTi DALI 3x14/24 DIM | 4008321069955 | 0.32 A | 73.00 W | 0.99 | 1750 lm |
| | QTi DALI 4x14/24 DIM | 4008321070036 | 0.43 A | 98.00 W | 0.99 | 1750 lm |
| | QTi DALI-T/E 1x18-57 DIM | 4008321060808 | 0.12 A | 26.00 W | 0.96 | 1800 lm |
| | QTi DALI-T/E 2x18-42 DIM | 4008321060822 | 0.22 A | 51.00 W | 0.97 | 1800 lm |
| | QTi-T/E 1x18-57 DIM | 4008321060860 | 0.12 A | 26.00 W | 0.96 | 1750 lm |
| | QTi-T/E 2x18-42 DIM | 4008321060846 | 0.22 A | 51.00 W | 0.97 | 1750 lm |
| | QT-M 2x26-42/220-240 S | 4008321110022 | 0.36 A | 54.00 W | 0.97 | 1600 lm |
| | QTP-M 1x26-42 | 4008321329134 | 0.12 A | 25.00 W | 0.94 c | 1800 lm |

Product datasheet

| Product name | Product name ECG | EAN | Nominal current | Nominal wattage + Power loss | Power factor λ [PIM] | Luminous flux at 35 °C |
|--------------|------------------|---------------|-----------------|------------------------------|------------------------------|------------------------|
| | QTP-M 2x26-32 | 4008321329158 | 0.22 A | 49.00 W | 0.97 | 1800 lm |

| Product name | Product name ECG | EAN | Number of lighting outlets | Luminous flux at 25 °C |
|--------------|--------------------------|---------------|----------------------------|------------------------|
| FC 22 W/865 | QT-ECO 1x18-24/220-240 S | 4050300638560 | 1 | |
| | QTi 1x14/24/21/39 GII | 4008321383334 | 1 | |
| | QTi 1x14/24 DIM | 4050300870922 | 1 | |
| | QTi 2x14/24/21/39 GII | 4008321383396 | 2 | |
| | QTi 2x14/24 DIM | 4050300870946 | 2 | |
| | QTi 3x14/24 DIM | 4008321069719 | 3 | |
| | QTi 4x14/24 DIM | 4008321069993 | 4 | |
| | QTi DALI 1x14/24 DIM | 4050300870380 | 1 | |
| | QTi DALI 2x14/24 DIM | 4050300870861 | 2 | |
| | QTi DALI 3x14/24 DIM | 4008321069955 | 3 | |
| | QTi DALI 4x14/24 DIM | 4008321070036 | 4 | |
| | QTi DALI-T/E 1x18-57 DIM | 4008321060808 | 1 | |
| | QTi DALI-T/E 2x18-42 DIM | 4008321060822 | 2 | |
| | QTi-T/E 1x18-57 DIM | 4008321060860 | 1 | |
| | QTi-T/E 2x18-42 DIM | 4008321060846 | 2 | |
| | QT-M 2x26-42/220-240 S | 4008321110022 | 2 | 1600 lm |
| | QTP-M 1x26-42 | 4008321329134 | 1 | |
| | QTP-M 2x26-32 | 4008321329158 | 2 | |