

# Product datasheet

## FC 40 W/840

LUMILUX T5 FC | Circular fluorescent lamps 16 mm, with 2GX13 base



# Product datasheet

## Technical data

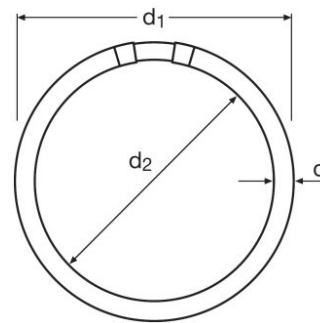
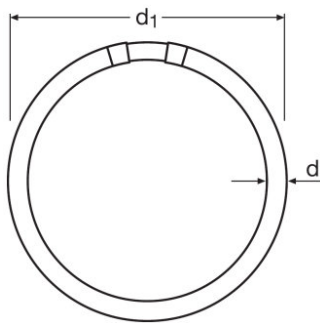
### Electrical data

Nominal current	0.32 A
-----------------	--------

### Photometrical data

Light color (designation)	LUMILUX Cool White
Rated LLMF at 2,000 h	0.85
Rated LLMF at 4,000 h	0.83
Rated LLMF at 6,000 h	0.8
Rated LLMF at 8,000 h	0.8
Rated LLMF at 12,000 h	0.75
Luminous flux	3400 lm

### Dimensions & weight



Tube diameter	16 mm
Product weight	83.75 g
Overall length	315.00 mm
Maximum diameter	16 mm

### Temperatures & operating conditions

Rated ambient temp.w.max.luminous flux	35.0 °C
----------------------------------------	---------

### Lifespan

Service life	8000 h
Operation mode LLMF/LSF	HF

### Additional product data

Mercury content	3.0 mg
-----------------	--------

## Product datasheet

Product remark	Suitable for ECG operation only
Appropriate disposal acc. to WEEE	Yes

### Capabilities

Suitable for indoor	Yes
---------------------	-----

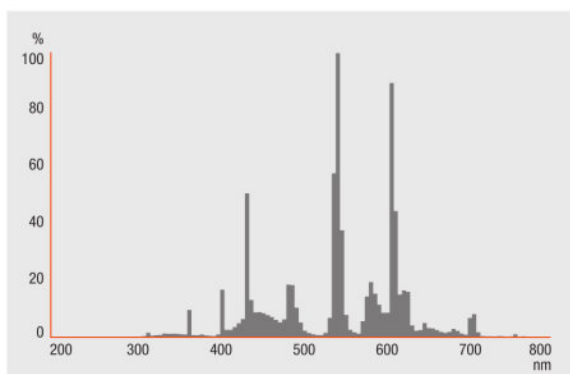
### Certificates & standards

Energy efficiency class	G
Energy consumption	43.89 kWh/1000h

### Environmental information

Information according Art. 33 of EU Regulation (EC) 1907/2006 (REACH)	
Date of Declaration	19-01-2022
Primary Article Identifier	4050300528526
Declaration No. in SCIP database	In work

### Light Distribution



FL\_840

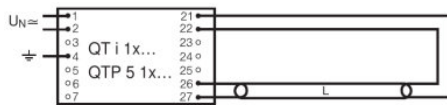
## Product datasheet

### System guarantee

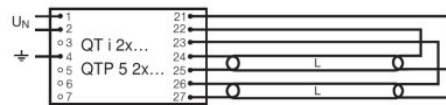
OSRAM System+ Guarantee in combination with OSRAM ECGs

### Equipment / Accessories

- Exclusively for operation on electronic control gears



QUICKTRONIC INTELLIGENT QT i 1x QTP 5 1x



QUICKTRONIC INTELLIGENT QT i 2x QTP 5 2x

### Ecodesign regulation information:

Separate control gear and light sources must be disposed of at certified disposal companies in accordance with Directive 2012/19/EU (WEEE) in the EU and with Waste Electrical and Electronic Equipment (WEEE) Regulations 2013 in the UK. For this purpose, collection points for recycling centres and take-back systems (CRSO) are available from retailers or private disposal companies, which accept separate control gear and light sources free of charge. In this way, raw materials are conserved and materials are recycled.

### Logistical Data

Product code	Product description	Packaging unit (Pieces/Unit)	Dimensions (length x width x height)	Volume	Gross weight
4050300528526	FC 40 W/840	Shipping carton box 12 Pieces Folding carton box	375 mm x 320 mm x 328 mm	39.36 dm <sup>3</sup>	2787.00 g
4050300528526	FC 40 W/840	Shipping carton box 12 Pieces Folding carton box	319 mm x 300 mm x 324 mm	31.01 dm <sup>3</sup>	2646.00 g

The mentioned product code describes the smallest quantity unit which can be ordered. One shipping unit can contain one or more single products. When placing an order, for the quantity please enter single or multiples of a shipping unit.

### References / Links

## Product datasheet

For more information on the system guarantee and the terms and conditions of the guarantee visit

▶ [www.osram.com/system-guarantee](http://www.osram.com/system-guarantee)

For more information on QUICKTRONIC electronic control gear go to

▶ [www.osram.com/QUICKTRONIC](http://www.osram.com/QUICKTRONIC)

---

### Disclaimer

Subject to change without notice. Errors and omission excepted. Always make sure to use the most recent release.

OSRAM is distribution partner  
of LEDVANCE of LAMPS

**OSRAM**

OSRAM GmbH  
Marcel-Breuer-Strasse 6  
80807 Munich, Germany

## FC 40 W/840

LUMILUX T5 FC | Circular fluorescent lamps 16 mm, with 2GX13 base

Product name	Product name ECG	EAN	Nominal current	Nominal wattage + Power loss	Power factor $\lambda$ [PIM]	Luminous flux at 35 °C
FC 40 W/840	QTi 1x14/24/21/39 GII	4008321383334	0.19 A	43.00 W	0.96	3200 lm
	QTi 1x21/39 DIM	4050300870564	0.18 A	42.00 W	0.98	3100 lm
	QTi 2x14/24/21/39 GII	4008321383396	0.36 A	88.00 W	0.99	3200 lm
	QTi 2x21/39 DIM	4050300870694	0.36 A	82.00 W	0.98	3100 lm
	QTi DALI 1x21/39 DIM	4050300870366	0.18 A	42.00 W	0.98	3100 lm
	QTi DALI 2x21/39 DIM	4050300870489	0.36 A	82.00 W	0.98	3100 lm
	QTi DALI-T/E 1x18-57 DIM	4008321060808	0.20 A	45.00 W	0.98	3200 lm
	QTi DALI-T/E 2x18-42 DIM	4008321060822	0.38 A	87.00 W	0.99	3200 lm
	QTi-T/E 1x18-57 DIM	4008321060860	0.20 A	45.00 W	0.98	3200 lm
	QTi-T/E 2x18-42 DIM	4008321060846	0.38 A	87.00 W	0.99	3200 lm
	QT-M 2x26-42/220-240 S	4008321110022	0.36 A	88.00 W	0.97	3200 lm
	QTP-M 1x26-42	4008321329134	0.19 A	43.00 W	0.97	3200 lm

Product name	Product name ECG	EAN	Number of lighting outlets
FC 40 W/840	QTi 1x14/24/21/39 GII	4008321383334	1
	QTi 1x21/39 DIM	4050300870564	1
	QTi 2x14/24/21/39 GII	4008321383396	2

## Product datasheet

Product name	Product name ECG	EAN	Number of lighting outlets
	QTi 2x21/39 DIM	4050300870694	2
	QTi DALI 1x21/39 DIM	4050300870366	1
	QTi DALI 2x21/39 DIM	4050300870489	2
	QTi DALI-T/E 1x18-57 DIM	4008321060808	1
	QTi DALI-T/E 2x18-42 DIM	4008321060822	2
	QTi-T/E 1x18-57 DIM	4008321060860	1
	QTi-T/E 2x18-42 DIM	4008321060846	2
	QT-M 2x26-42/220-240 S	4008321110022	2
	QTP-M 1x26-42	4008321329134	1