

# Product datasheet

## L 16 W/830

LUMILUX T8 | Tubular fluorescent lamps 26 mm, with G13 bases



## Product datasheet

### Technical data

#### Electrical data

Nominal current	0.2 A A
-----------------	---------

#### Photometrical data

Light color (designation)	LUMILUX Warm White
Rated LLMF at 2,000 h	0.96
Rated LLMF at 4,000 h	0.94
Rated LLMF at 6,000 h	0.93
Rated LLMF at 8,000 h	0.91
Rated LLMF at 12,000 h	0.91
Rated LLMF at 16,000 h	0.9
Rated LLMF at 20,000 h	0.89
Luminous flux	1250 lm

#### Dimensions & weight



Tube diameter	26 mm
Length with base excl. base pins/connection	720,00 mm
Product weight	100.00 g
Overall length	734.20 mm

#### Lifespan

Service life	16000 h
--------------	---------

#### Additional product data

Mercury content	3.0 mg
Appropriate disposal acc. to WEEE	Yes

## Product datasheet

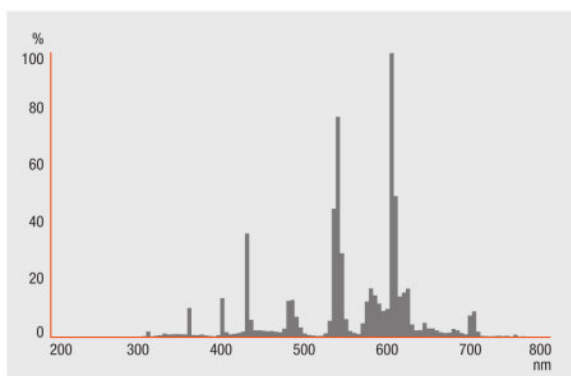
### Certificates & standards

Energy efficiency class	G
Energy consumption	17.00 kWh/1000h

### Environmental information

Information according Art. 33 of EU Regulation (EC) 1907/2006 (REACH)	
Date of Declaration	19-01-2022
Primary Article Identifier	4008321959065
Declaration No. in SCIP database	In work

### Light Distribution

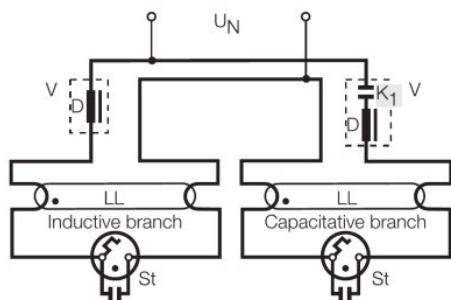


FL\_830

### System guarantee

OSRAM System+ Guarantee in combination with OSRAM ECGs

## Product datasheet



### DUO CIRCUIT

#### Ecodesign regulation information:

Separate control gear and light sources must be disposed of at certified disposal companies in accordance with Directive 2012/19/EU (WEEE) in the EU and with Waste Electrical and Electronic Equipment (WEEE) Regulations 2013 in the UK. For this purpose, collection points for recycling centres and take-back systems (CRSO) are available from retailers or private disposal companies, which accept separate control gear and light sources free of charge. In this way, raw materials are conserved and materials are recycled.

#### Logistical Data

Product code	Product description	Packaging unit (Pieces/Unit)	Dimensions (length x width x height)	Volume	Gross weight
4008321959065	L 16 W/830	Shipping carton box 25 Pieces Sleeves	762 mm x 142 mm x 145 mm	15.69 dm <sup>3</sup>	3127.00 g

The mentioned product code describes the smallest quantity unit which can be ordered. One shipping unit can contain one or more single products. When placing an order, for the quantity please enter single or multiples of a shipping unit.

#### References / Links

For more information on the system guarantee and the terms and conditions of the guarantee visit

▶ [www.osram.com/system-guarantee](http://www.osram.com/system-guarantee)

For more information on QUICKTRONIC electronic control gear go to

▶ [www.osram.com/QUICKTRONIC](http://www.osram.com/QUICKTRONIC)

#### Disclaimer

Subject to change without notice. Errors and omission excepted. Always make sure to use the most recent release.

OSRAM is distribution partner  
of LEDVANCE of LAMPS

**OSRAM**

OSRAM GmbH  
Marcel-Breuer-Strasse 6  
80807 Munich, Germany

## L 16 W/830

LUMILUX T8 | Tubular fluorescent lamps 26 mm, with G13 bases

Product name	Product name ECG	EAN	Nominal current	Nominal wattage + Power loss	Power factor $\lambda$ [PIM]	Luminous flux at 35 °C
L 16 W/830	QT-ECO 1x4-16/220-240 S	4050300638584	0.11 A	16.00 W	0.60 c	1100 lm

Product name	Product name ECG	EAN	Number of lighting outlets
L 16 W/830	QT-ECO 1x4-16/220-240 S	4050300638584	1