

Product datasheet

L 30 W/865

LUMILUX T8 | Tubular fluorescent lamps 26 mm, with G13 bases



Product datasheet

Technical data

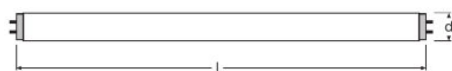
Electrical data

| | |
|-----------------|----------|
| Nominal current | 0.37 A A |
|-----------------|----------|

Photometrical data

| | |
|---------------------------|-----------------------|
| Light color (designation) | LUMILUX Cool Daylight |
| Rated LLMF at 2,000 h | 0.96 |
| Rated LLMF at 4,000 h | 0.94 |
| Rated LLMF at 6,000 h | 0.93 |
| Rated LLMF at 8,000 h | 0.91 |
| Rated LLMF at 12,000 h | 0.91 |
| Rated LLMF at 16,000 h | 0.9 |
| Rated LLMF at 20,000 h | 0.96 |
| Luminous flux | 2350 lm |

Dimensions & weight



| | |
|---|-----------|
| Tube diameter | 26 mm |
| Length with base excl. base pins/connection | 895,00 mm |
| Product weight | 120.00 g |
| Overall length | 908.80 mm |

Lifespan

| | |
|--------------|---------|
| Service life | 16000 h |
|--------------|---------|

Additional product data

| | |
|-----------------------------------|--------|
| Mercury content | 3.0 mg |
| Appropriate disposal acc. to WEEE | Yes |

Product datasheet

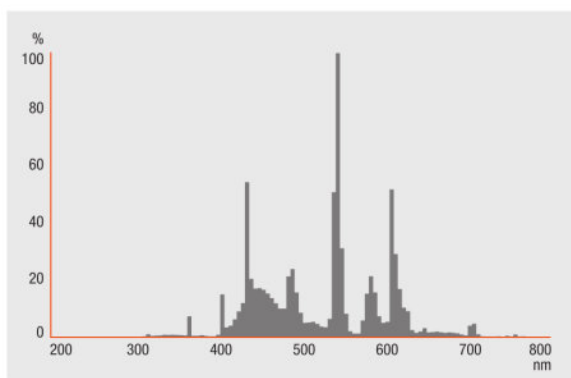
Certificates & standards

| | |
|-------------------------|-----------------|
| Energy efficiency class | G |
| Energy consumption | 32.00 kWh/1000h |

Environmental information

| Information according Art. 33 of EU Regulation (EC) 1907/2006 (REACH) | |
|---|---------------|
| Date of Declaration | 19-01-2022 |
| Primary Article Identifier | 4050300518015 |
| Declaration No. in SCIP database | In work |

Light Distribution

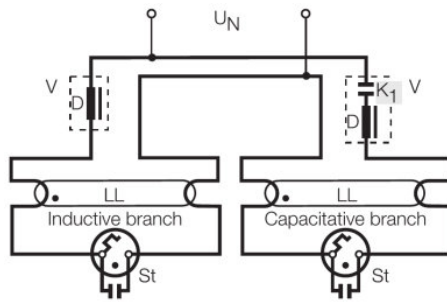


FL_865

System guarantee

OSRAM System+ Guarantee in combination with OSRAM ECGs

Product datasheet



DUO CIRCUIT

Ecodesign regulation information:

Separate control gear and light sources must be disposed of at certified disposal companies in accordance with Directive 2012/19/EU (WEEE) in the EU and with Waste Electrical and Electronic Equipment (WEEE) Regulations 2013 in the UK. For this purpose, collection points for recycling centres and take-back systems (CRSO) are available from retailers or private disposal companies, which accept separate control gear and light sources free of charge. In this way, raw materials are conserved and materials are recycled.

Logistical Data

| Product code | Product description | Packaging unit (Pieces/Unit) | Dimensions (length x width x height) | Volume | Gross weight |
|---------------|---------------------|--|---|-----------------------|--------------|
| 4050300518015 | L 30 W/865 | Shipping carton box 25 Pieces Sleeves | 937 mm x 260 mm x 232 mm | 56.52 dm ³ | 3910.00 g |

The mentioned product code describes the smallest quantity unit which can be ordered. One shipping unit can contain one or more single products. When placing an order, for the quantity please enter single or multiples of a shipping unit.

References / Links

For more information on the system guarantee and the terms and conditions of the guarantee visit

- ▶ www.osram.com/system-guarantee

For more information on QUICKTRONIC electronic control gear go to

- ▶ www.osram.com/QUICKTRONIC

Disclaimer

Subject to change without notice. Errors and omission excepted. Always make sure to use the most recent release.

OSRAM is distribution partner
of LEDVANCE of LAMPS

OSRAM

OSRAM GmbH
Marcel-Breuer-Strasse 6
80807 Munich, Germany

L 30 W/865

LUMILUX T8 | Tubular fluorescent lamps 26 mm, with G13 bases

| Product name | Product name ECG | EAN | Nominal current | Nominal wattage + Power loss | Power factor λ [PIM] | Luminous flux at 25 °C |
|--------------|---------------------|---------------|-----------------|------------------------------|------------------------------|------------------------|
| L 30 W/865 | QT-FIT 5/8 1x18-39 | 4008321873927 | 0.15 A | 33.00 W | 0.98 | 2350 lm |
| | QT-FIT 5/8 2x18-39 | 4008321873903 | 0.27 A | 63.00 W | 0.98 | 2350 lm |
| | QTi DALI 1x36 DIM | 4050300870427 | 0.16 A | 36.00 W | 0.98 | |
| | QTi DALI 2x36 DIM | 4050300870885 | 0.31 A | 69.00 W | 0.98 | |
| | QTP-OPTIMAL 1x18-40 | 4008321873743 | 0.15 A | 36.00 W | 0.95 | |
| | QTP-OPTIMAL 2x18-40 | 4008321873767 | 0.28 A | 63.00 W | 0.98 | |

| Product name | Product name ECG | EAN | Number of lighting outlets | Luminous flux at 35 °C |
|--------------|---------------------|---------------|----------------------------|------------------------|
| L 30 W/865 | QT-FIT 5/8 1x18-39 | 4008321873927 | 1 | |
| | QT-FIT 5/8 2x18-39 | 4008321873903 | 2 | |
| | QTi DALI 1x36 DIM | 4050300870427 | 1 | 2250 lm |
| | QTi DALI 2x36 DIM | 4050300870885 | 2 | 2250 lm |
| | QTP-OPTIMAL 1x18-40 | 4008321873743 | 1 | 2850 lm |
| | QTP-OPTIMAL 2x18-40 | 4008321873767 | 2 | 2850 lm |