

# Product datasheet

## L 36 W/830

LUMILUX T8 | Tubular fluorescent lamps 26 mm, with G13 bases



# Product datasheet

## Technical data

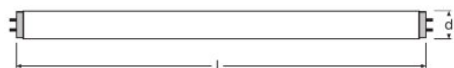
### Electrical data

Nominal wattage	36.00 W
Rated lamp efficacy (HF data 25 °C)	Under clarification by authority and standardization body
Rated wattage	36.00 W
Nominal current	0.43 A A

### Photometrical data

Rated lamp efficacy (standard condition)	93 lm/W
Color rendering index Ra	≥80
Rated luminous flux	3350 lm
Luminous flux at	3350 lm
Light color	830
Rated color temperature	3000 K
Nominal luminous flux	3350 lm
Light color (designation)	LUMILUX Warm White
Rated LLMF at 2,000 h	0.96
Rated LLMF at 4,000 h	0.94
Rated LLMF at 6,000 h	0.93
Rated LLMF at 8,000 h	0.91
Rated LLMF at 12,000 h	0.91
Rated LLMF at 16,000 h	0.90
Rated LLMF at 20,000 h	0.89
Color temperature	3000 K
Luminous flux	3350 lm

### Dimensions & weight



## Product datasheet

Tube diameter	26 mm
Length	1200 mm
Length with base excl. base pins/connection	1200.00 mm
Diameter	26.0 mm
Product weight	149.00 g
Outer bulb	T26
Overall length	1213.60 mm
Maximum diameter	26.0 mm

### Temperatures & operating conditions

Rated ambient temp.w.max.luminous flux	25.0 °C
--	---------

### Lifespan

Service life	18000 h <sup>1)</sup>
Lifespan	20000 h <sup>1)</sup>
Rated lamp survival factor at 2,000 h	0.99
Rated lamp survival factor at 4,000 h	0.99
Rated lamp survival factor at 6,000 h	0.99
Rated lamp survival factor at 8,000 h	0.99
Rated lamp survival factor at 12,000 h	0.99
Rated lamp survival factor at 16,000 h	0.99
Rated lamp survival factor at 20,000 h	0.50
Operation mode LLMF/LSF	HF
Rated lamp life time	20000 h

<sup>1)</sup> With preheat ECG

### Additional product data

Base (standard designation)	G13
Mercury content	2.5 mg
Appropriate disposal acc. to WEEE	Yes
Successor EAN	4050300517896
Predecessor EAN	4050300443324

### Capabilities

Dimmable	Yes
Suitable for indoor	Yes

### Certificates & standards

Energy efficiency class	G
-------------------------	---

## Product datasheet

Energy consumption	43 kWh/1000h
--------------------	--------------

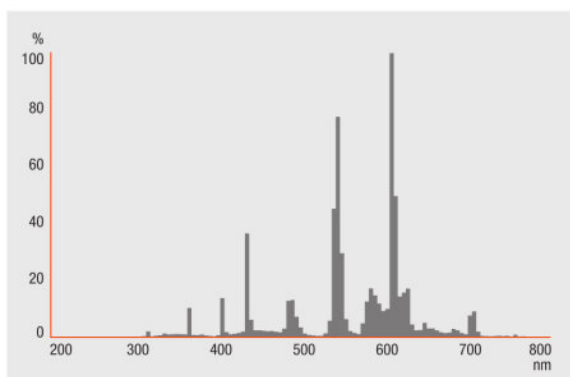
### Country specific categorizations

Order reference	L 36W/830
-----------------	-----------

### Environmental information

Information according Art. 33 of EU Regulation (EC) 1907/2006 (REACH)	
Date of Declaration	19-01-2022
Primary Article Identifier	4050300443324   4050300517896
Declaration No. in SCIP database	In work

### Light Distribution

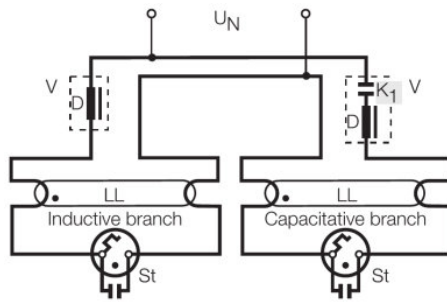


FL\_830

### System guarantee

OSRAM System+ Guarantee in combination with OSRAM ECGs

## Product datasheet



### DUO CIRCUIT

#### Ecodesign regulation information:

Separate control gear and light sources must be disposed of at certified disposal companies in accordance with Directive 2012/19/EU (WEEE) in the EU and with Waste Electrical and Electronic Equipment (WEEE) Regulations 2013 in the UK. For this purpose, collection points for recycling centres and take-back systems (CRSO) are available from retailers or private disposal companies, which accept separate control gear and light sources free of charge. In this way, raw materials are conserved and materials are recycled.

#### Logistical Data

Product code	Product description	Packaging unit (Pieces/Unit)	Dimensions (length x width x height)	Volume	Gross weight
4050300517896	L 36 W/830	Shipping carton box 25 Pieces Sleeves	142 mm x 145 mm x 1242 mm	25.57 dm <sup>3</sup>	5387.00 g

The mentioned product code describes the smallest quantity unit which can be ordered. One shipping unit can contain one or more single products. When placing an order, for the quantity please enter single or multiples of a shipping unit.

#### References / Links

For more information on the system guarantee and the terms and conditions of the guarantee visit

▶ [www.osram.com/system-guarantee](http://www.osram.com/system-guarantee)

For more information on QUICKTRONIC electronic control gear go to

▶ [www.osram.com/QUICKTRONIC](http://www.osram.com/QUICKTRONIC)

#### Disclaimer

Subject to change without notice. Errors and omission excepted. Always make sure to use the most recent release.

OSRAM is distribution partner  
of LEDVANCE of LAMPS

**OSRAM**

OSRAM GmbH  
Marcel-Breuer-Strasse 6  
80807 Munich, Germany

## L 36 W/830

LUMILUX T8 | Tubular fluorescent lamps 26 mm, with G13 bases

Product name	Product name ECG	EAN	Nominal current	Nominal wattage + Power loss	Power factor $\lambda$ [PIM]	Luminous flux at 35 °C
L 36 W/830	QT-FIT 5/8 1x18-39	4008321873927	0.16 A	37.00 W	0.98	3200 lm
	QT-FIT 5/8 2x18-39	4008321873903	0.31 A	70.00 W	0.98	3200 lm
	QT-FIT8 1x36	4008321294203	0.16 A	36.00 W	0.96	3200 lm
	QT-FIT8 2x36	4008321294265	0.32 A	71.00 W	0.98	3200 lm
	QT-FIT8 3x36	4008321512055	0.48 A	105.00 W	0.99	3500 lm
	QTi 1x14/24/21/39 GII	4008321383334	0.09 A	35.00 W	0.96	3350 lm
	QTi 2x14/24/21/39 GII	4008321383396	0.31 A	70.00 W	0.98	3200 lm
	QTi DALI 1x36 DIM	4050300870427	0.16 A	36.00 W	0.98	3350 lm
	QTi DALI 2x36 DIM	4050300870885	0.30 A	69.00 W	0.98	3350 lm
	QT-M 2x26-42/220-240 S	4008321110022	0.30 A	70.00 W	0.97	3200 lm
	QTP-DL 2x36-40	4008321117922	0.35 A	80.50 W	0.99	3400 lm
	QTP-M 1x26-42	4008321329134	0.16 A	35.00 W	0.97	3350 lm
	QTP-OPTIMAL 1x18-40	4008321873743	0.16 A	36.00 W	0.98	3200 lm
	QTP-OPTIMAL 2x18-40	4008321873767	0.30 A	71.00 W	0.98	3200 lm
	QTz8 1x36	4008321863287	0.16 A	36.00 W	0.96	3200 lm
	QTz8 2x36	4008321863324	0.32 A	71.00 W	0.98	3200 lm

## Product datasheet

Product name	Product name ECG	EAN	Number of lighting outlets
L 36 W/830	QT-FIT 5/8 1x18-39	4008321873927	1
	QT-FIT 5/8 2x18-39	4008321873903	2
	QT-FIT8 1x36	4008321294203	1
	QT-FIT8 2x36	4008321294265	2
	QT-FIT8 3x36	4008321512055	3
	QTi 1x14/24/21/39 GII	4008321383334	1
	QTi 2x14/24/21/39 GII	4008321383396	2
	QTi DALI 1x36 DIM	4050300870427	1
	QTi DALI 2x36 DIM	4050300870885	2
	QT-M 2x26-42/220-240 S	4008321110022	2
	QTP-DL 2x36-40	4008321117922	2
	QTP-M 1x26-42	4008321329134	1
	QTP-OPTIMAL 1x18-40	4008321873743	1
	QTP-OPTIMAL 2x18-40	4008321873767	2
	QTz8 1x36	4008321863287	1
	QTz8 2x36	4008321863324	2