

# Product datasheet

## L 58 W/840

LUMILUX T8 | Tubular fluorescent lamps 26 mm, with G13 bases



# Product datasheet

## Technical data

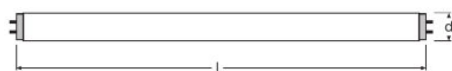
### Electrical data

Nominal current	0.67 A A
-----------------	----------

### Photometrical data

Light color (designation)	LUMILUX Cool White
Rated LLMF at 2,000 h	0.96
Rated LLMF at 4,000 h	0.94
Rated LLMF at 6,000 h	0.93
Rated LLMF at 8,000 h	0.91
Rated LLMF at 12,000 h	0.91
Rated LLMF at 16,000 h	0.9
Rated LLMF at 20,000 h	0.89
Luminous flux	5200 lm

### Dimensions & weight



Tube diameter	26 mm
Length with base excl. base pins/connection	1500 mm
Product weight	190.00 g
Overall length	1514.20 mm

### Lifespan

Service life	18000 h
--------------	---------

### Additional product data

Mercury content	3.0 mg
Appropriate disposal acc. to WEEE	Yes
Predecessor EAN	4050300443362

## Product datasheet

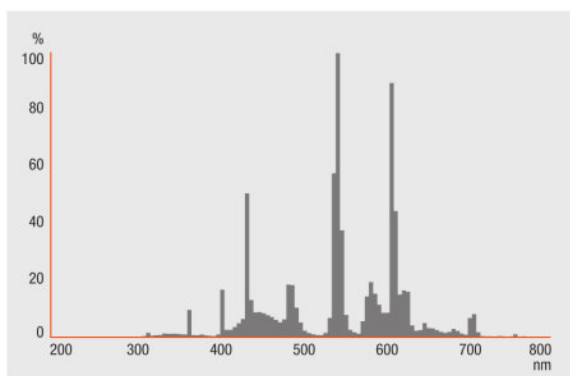
### Certificates & standards

Energy efficiency class	G
Energy consumption	62.00 kWh/1000h

### Environmental information

Information according Art. 33 of EU Regulation (EC) 1907/2006 (REACH)	
Date of Declaration	30-06-2022
Primary Article Identifier	4050300517957
Declaration No. in SCIP database	In work

### Light Distribution

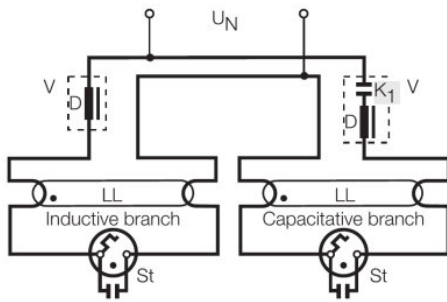


FL\_840

### System guarantee

OSRAM System+ Guarantee in combination with OSRAM ECGs

## Product datasheet



### DUO CIRCUIT

#### Ecodesign regulation information:

Separate control gear and light sources must be disposed of at certified disposal companies in accordance with Directive 2012/19/EU (WEEE) in the EU and with Waste Electrical and Electronic Equipment (WEEE) Regulations 2013 in the UK. For this purpose, collection points for recycling centres and take-back systems (CRSO) are available from retailers or private disposal companies, which accept separate control gear and light sources free of charge. In this way, raw materials are conserved and materials are recycled.

#### Logistical Data

Product code	Product description	Packaging unit (Pieces/Unit)	Dimensions (length x width x height)	Volume	Gross weight
4050300517957	L 58 W/840	Shipping carton box 25 Pieces Sleeves	142 mm x 145 mm x 1542 mm	31.75 dm <sup>3</sup>	6520.00 g

The mentioned product code describes the smallest quantity unit which can be ordered. One shipping unit can contain one or more single products. When placing an order, for the quantity please enter single or multiples of a shipping unit.

#### References / Links

For more information on the system guarantee and the terms and conditions of the guarantee visit

- ▶ [www.osram.com/system-guarantee](http://www.osram.com/system-guarantee)

For more information on QUICKTRONIC electronic control gear go to

- ▶ [www.osram.com/QUICKTRONIC](http://www.osram.com/QUICKTRONIC)

#### Disclaimer

Subject to change without notice. Errors and omission excepted. Always make sure to use the most recent release.

OSRAM is distribution partner  
of LEDVANCE of LAMPS

**OSRAM**

OSRAM GmbH  
Marcel-Breuer-Strasse 6  
80807 Munich, Germany

## L 58 W/840

LUMILUX T8 | Tubular fluorescent lamps 26 mm, with G13 bases

Product name	Product name ECG	EAN	Nominal current	Nominal wattage + Power loss	Power factor $\lambda$ [PIM]	Luminous flux at 35 °C
L 58 W/840	QT-FIT 5/8 1x54-58	4008321873828	0.24 A	54.00 W	0.98	5000 lm
	QT-FIT 5/8 2x54-58	4008321873842	0.48 A	107.00 W	0.98	5000 lm
	QT-FIT8 1x58-70	4008321294227	0.24 A	54.00 W	0.96	5000 lm
	QT-FIT8 2x58	4008321294289				
	QT-FIT8 2x58-70	4052899151932	0.48 A	109.00 W	0.98	5000 lm
	QTi 1x28/54/35/49 GII	4008321383358	0.24 A	55.00 W	0.99	5000 lm
	QTi 2x28/54/35/49 GII	4008321383419	0.47 A	109.00 W	0.99	5000 lm
	QTi DALI 1x58 DIM	4050300870823	0.25 A	56.00 W	0.99	5000 lm
	QTi DALI 2x58 DIM	4050300870847	0.47 A	108.00 W	0.99	5000 lm
	QTP-OPTIMAL 1x54-58	4008321873729	0.25 A	54.00 W	0.98	5000 lm
QTP-OPTIMAL 2x54-58	4008321880253	0.49 A	112.00 W	0.99	5000 lm	

Product name	Product name ECG	EAN	Number of lighting outlets
L 58 W/840	QT-FIT 5/8 1x54-58	4008321873828	1
	QT-FIT 5/8 2x54-58	4008321873842	2
	QT-FIT8 1x58-70	4008321294227	1
	QT-FIT8 2x58	4008321294289	

## Product datasheet

Product name	Product name ECG	EAN	Number of lighting outlets
	QT-FIT8 2x58-70	4052899151932	2
	QTi 1x28/54/35/49 GII	4008321383358	1
	QTi 2x28/54/35/49 GII	4008321383419	2
	QTi DALI 1x58 DIM	4050300870823	1
	QTi DALI 2x58 DIM	4050300870847	2
	QTP-OPTIMAL 1x54-58	4008321873729	1
	QTP-OPTIMAL 2x54-58	4008321880253	2