

Product datasheet

L 58 W/940

LUMILUX DE LUXE T8 | Tubular fluorescent lamps 26 mm, with G13 bases



Product datasheet

Technical data

Electrical data

Nominal current	0.67 A A
-----------------	----------

Photometrical data

Light color (designation)	LUMILUX DE LUXE Cool White
Rated LLMF at 2,000 h	0.96
Rated LLMF at 4,000 h	0.94
Rated LLMF at 6,000 h	0.93
Rated LLMF at 8,000 h	0.91
Rated LLMF at 12,000 h	0.91
Rated LLMF at 16,000 h	0.9
Rated LLMF at 20,000 h	0.89
Luminous flux	4600 lm

Dimensions & weight



Tube diameter	26 mm
Length with base excl. base pins/connection	1500 mm
Product weight	207.00 g
Overall length	1514.20 mm

Lifespan

Service life	16000 h
--------------	---------

Additional product data

Mercury content	3.0 mg
Appropriate disposal acc. to WEEE	Yes

Product datasheet

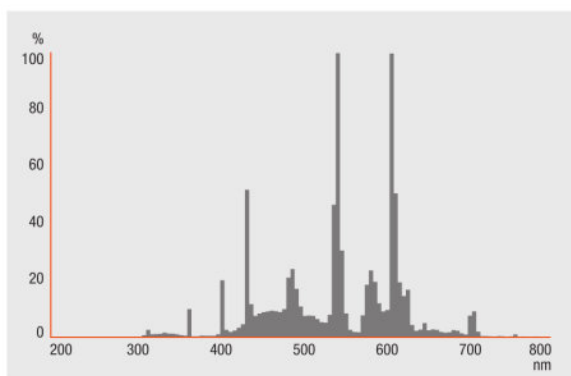
Certificates & standards

Energy efficiency class	G
Energy consumption	61.00 kWh/1000h

Environmental information

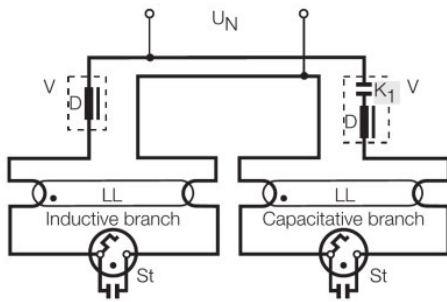
Information according Art. 33 of EU Regulation (EC) 1907/2006 (REACH)	
Date of Declaration	18-04-2022
Primary Article Identifier	4050300011356
Declaration No. in SCIP database	In work

Light Distribution



FL_940

Product datasheet



DUO CIRCUIT

Ecodesign regulation information:

Separate control gear and light sources must be disposed of at certified disposal companies in accordance with Directive 2012/19/EU (WEEE) in the EU and with Waste Electrical and Electronic Equipment (WEEE) Regulations 2013 in the UK. For this purpose, collection points for recycling centres and take-back systems (CRSO) are available from retailers or private disposal companies, which accept separate control gear and light sources free of charge. In this way, raw materials are conserved and materials are recycled.

References / Links

For more information on QUICKTRONIC electronic control gear go to
▶ www.osram.com/QUICKTRONIC

Disclaimer

Subject to change without notice. Errors and omission excepted. Always make sure to use the most recent release.

OSRAM is distribution partner
of LEDVANCE of LAMPS

OSRAM

OSRAM GmbH
Marcel-Breuer-Strasse 6
80807 Munich, Germany