

Product datasheet

L 58 W/76

OSRAM NATURA T8 | Tubular fluorescent lamps 26 mm, with G13 bases, for food presentation



- Bakeries, meat processors, butchers Shops Supermarkets and department stores Especially suitable for the food sector (DIN 10504)

- Specially tailored spectral distribution Food looks fresh and appetizing without unduly beautifying it



Product datasheet

Technical data

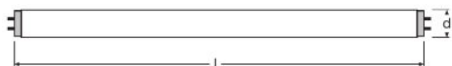
Electrical data

| | |
|-----------------|----------|
| Nominal current | 0.67 A A |
|-----------------|----------|

Photometrical data

| | |
|---------------------------|---------|
| Light color (designation) | NATURA |
| Rated LLMF at 2,000 h | 0.88 |
| Rated LLMF at 4,000 h | 0.83 |
| Rated LLMF at 6,000 h | 0.8 |
| Rated LLMF at 8,000 h | 0.77 |
| Rated LLMF at 12,000 h | 0.74 |
| Rated LLMF at 16,000 h | 0.72 |
| Luminous flux | 2850 lm |

Dimensions & weight



| | |
|---|------------|
| Tube diameter | 26 mm |
| Length with base excl. base pins/connection | 1500 mm |
| Product weight | 207.00 g |
| Overall length | 1514.20 mm |

Lifespan

| | |
|--------------|---------|
| Service life | 18000 h |
|--------------|---------|

Additional product data

| | |
|-----------------------------------|--------------------------|
| Mercury content | 5.3 mg |
| Product remark | Not for general lighting |
| Appropriate disposal acc. to WEEE | Yes |

Product datasheet

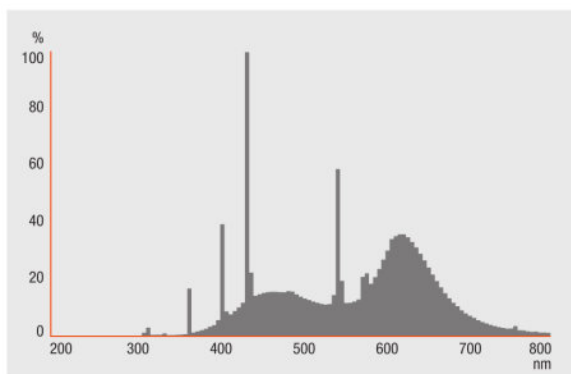
Certificates & standards

| | |
|--------------------|-----------------|
| Energy consumption | 61.00 kWh/1000h |
|--------------------|-----------------|

Environmental information

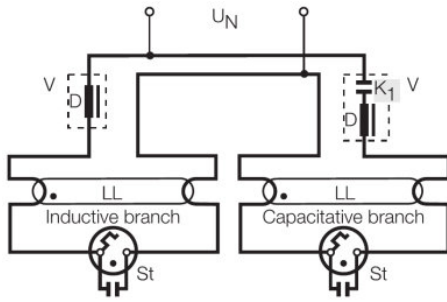
| Information according Art. 33 of EU Regulation (EC) 1907/2006 (REACH) | |
|---|---------------|
| Date of Declaration | 18-04-2022 |
| Primary Article Identifier | 4050300010533 |
| Declaration No. in SCIP database | In work |

Light Distribution



FL_76_Natura

Product datasheet



DUO CIRCUIT

Ecodesign regulation information:

Separate control gear and light sources must be disposed of at certified disposal companies in accordance with Directive 2012/19/EU (WEEE) in the EU and with Waste Electrical and Electronic Equipment (WEEE) Regulations 2013 in the UK. For this purpose, collection points for recycling centres and take-back systems (CRSO) are available from retailers or private disposal companies, which accept separate control gear and light sources free of charge. In this way, raw materials are conserved and materials are recycled.

Logistical Data

| Product code | Product description | Packaging unit (Pieces/Unit) | Dimensions (length x width x height) | Volume | Gross weight |
|---------------|---------------------|--|--------------------------------------|-----------------------|--------------|
| 4050300010533 | L 58 W/76 | Shipping carton box 10 Pieces Sleeves | 1542 mm x 62 mm x 145 mm | 13.86 dm ³ | 2704.00 g |

The mentioned product code describes the smallest quantity unit which can be ordered. One shipping unit can contain one or more single products. When placing an order, for the quantity please enter single or multiples of a shipping unit.

References / Links

For more information on QUICKTRONIC electronic control gear go to

▶ www.osram.com/QUICKTRONIC

Disclaimer

Subject to change without notice. Errors and omission excepted. Always make sure to use the most recent release.

OSRAM is distribution partner
of LEDVANCE of LAMPS

OSRAM

OSRAM GmbH
Marcel-Breuer-Strasse 6
80807 Munich, Germany