

QUICKTRONIC INTELLIGENT DALI DIM CFL

ECG dimmable DALI for CFL



Areas of application

- Suitable for use in emergency lighting systems as per EN 50172/DIN VDE 0108-100
- Installation in emergency lighting systems according to IEC 61347-2-3, appendix J
- Open-plan offices, corridors and storage rooms
- Public buildings
- Suitable for luminaires of protection class I

Product family benefits

- System+ Guarantee available
- Easy integration in luminaire thanks to same dimensions like DALI GI ECG

DALI product features

- Control via the DALI interface
- Compliance with the DALI Version-1 and IEC 60929
- Control input protected against overvoltage and polarity reversal (OSRAM ECG)

Touch DIM and Touch DIM Sensor function

- Manual dimming without controller and with standard switches
- Including memory function (double click) and soft start

Product family datasheet

Product family features

- Corridor function for direct connection of ECG to common motion sensor
- Corridor function with pre-programmed light program
- Touch DIM function for free parameterization of light value and turn on time
- Fit for SMART GRID for feedback of consumed mains power and lamp operating hours
- Fit for emergency function for automatic detection of emergency lighting by ECG
- Very low standby power consumption: < 0.5 W
- Lifetime: > 100,000 h (for T = 65 °C at T_c)
- Very high number of switching cycles: up to 300,000
- Dimming range: 1...100 % (3...100 % with compact fluorescent lamp)
- POWER2LAMP function for optimal matching of ECG power to lamp during lamp lifetime
- Line frequency: 0 Hz, 50...60 Hz, rectified AC

Product family datasheet

Technical data

Electrical data

Product description	Nominal voltage	Mains frequency	Input voltage DC
QTi DALI-T/E 1x18...57 DIM ¹⁾	220...240 V	50...60 Hz	154...276 V
QTi DALI-T/E 2X18...42 DIM ¹⁾	220...240 V	50...60 Hz	154...276 V

¹⁾ See product remark

Light technical data

Product description	Starting time
QTi DALI-T/E 1x18...57 DIM ¹⁾	0.6 s ²⁾
QTi DALI-T/E 2X18...42 DIM ¹⁾	0.6 s ²⁾

¹⁾ See product remark

²⁾ Optimized preheat start

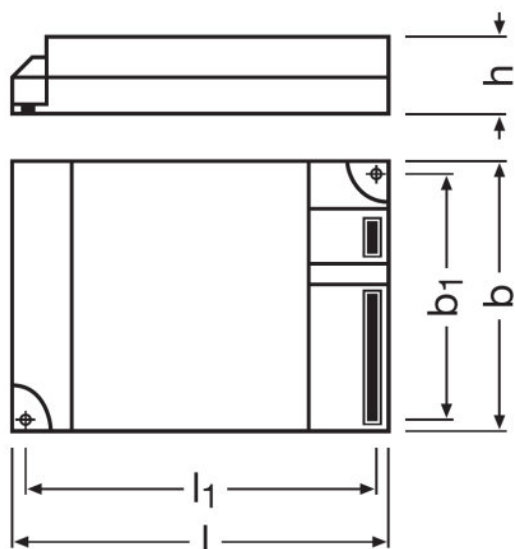
Dimensions & weight

Product description	Length	Width	Height	Mounting hole spacing, length	Product weight	Cable cross-section, input side
QTi DALI-T/E 1x18...57 DIM ¹⁾	123.0 mm	79.0 mm	33.0 mm	129.5 mm	227.00 g	0.5...1.5 mm ²
QTi DALI-T/E 2X18...42 DIM ¹⁾	123.0 mm	79.0 mm	33.0 mm	129.5 mm	247.00 g	0.5...1.5 mm ²

¹⁾ See product remark

Product family datasheet

Product line drawing



QTi DALI-T/E 1x18...57 DIM, QTi DALI-T/E 2X18...42 DIM

Temperatures & operating conditions

Product description	Ambient temperature range
QTi DALI-T/E 1x18...57 DIM ¹⁾	+10...+50 °C
QTi DALI-T/E 2X18...42 DIM ¹⁾	+10...+50 °C

¹⁾ See product remark

Lifespan

Product description	ECG lifetime
QTi DALI-T/E 1x18...57 DIM ¹⁾	100000 h ²⁾
QTi DALI-T/E 2X18...42 DIM ¹⁾	100000 h ²⁾

¹⁾ See product remark

²⁾ At $T_{case} = 65^{\circ}C$ at T_{point} / 10% failure rate

Product name	Lamp group				
QTi DALI-T/E 1x18...57 DIM	DULUX D/E 26 W	ECG ambient temperature [ta]	40	50	60
		Temperature at tc-point [°C]	55	65	75
		Lifetime [h]	100000	100000	90000
	DULUX L 24 W	ECG ambient temperature [ta]	40	50	60

Product family datasheet

		Temperature at tc-point [°C]	55	65	75
		Lifetime [h]	100000	100000	90000
	DULUX L 40 W	ECG ambient temperature [ta]	40	50	60
		Temperature at tc-point [°C]	55	65	75
		Lifetime [h]	100000	100000	90000
	DULUX T/E 18 W	ECG ambient temperature [ta]	40	50	60
		Temperature at tc-point [°C]	50	60	70
		Lifetime [h]	100000	100000	100000
	DULUX T/E 32 W	ECG ambient temperature [ta]	40	50	60
		Temperature at tc-point [°C]	55	65	75
		Lifetime [h]	100000	100000	90000
	DULUX T/E 42 W	ECG ambient temperature [ta]	40	50	60
		Temperature at tc-point [°C]	55	65	75
		Lifetime [h]	100000	100000	90000
	FC 22 W	ECG ambient temperature [ta]	40	50	60
		Temperature at tc-point [°C]	55	65	75
		Lifetime [h]	100000	100000	90000
FC 40 W	ECG ambient temperature [ta]	40	50	60	
	Temperature at tc-point [°C]	55	65	75	
	Lifetime [h]	100000	100000	90000	
Product name	Lamp group				
QTi DALI-T/E 2X18...42 DIM	DULUX D/E 26 W	ECG ambient temperature [ta]	40	50	60
		Temperature at tc-point [°C]	60	70	75
		Lifetime [h]	100000	100000	80000
	DULUX L 24 W	ECG ambient temperature [ta]	40	50	60
		Temperature at tc-point [°C]	60	70	75
		Lifetime [h]	100000	100000	80000
	DULUX L 40 W	ECG ambient temperature [ta]	40	50	60
		Temperature at tc-point [°C]	60	70	75
		Lifetime [h]	100000	100000	80000
	DULUX T/E 18 W	ECG ambient temperature [ta]	40	50	60
		Temperature at tc-point [°C]	55	65	70
		Lifetime [h]	100000	100000	100000
	DULUX T/E 26 W	ECG ambient temperature [ta]	40	50	60
		Temperature at tc-point [°C]	60	70	75
		Lifetime [h]	100000	100000	80000
	DULUX T/E 42 W	ECG ambient temperature [ta]	40	50	60
		Temperature at tc-point [°C]	60	70	75
		Lifetime [h]	100000	100000	80000

Product family datasheet

	FC 22 W	ECG ambient temperature [ta]	40	50	60
		Temperature at tc-point [°C]	60	70	75
		Lifetime [h]	100000	100000	80000
	FC 40 W	ECG ambient temperature [ta]	40	50	60
		Temperature at tc-point [°C]	60	70	75
		Lifetime [h]	100000	100000	80000

Capabilities

Product description	Dimmable	Suitable for fixtures with prot. class	End of lamp life safety shutdown
QTi DALI-T/E 1x18...57 DIM ¹⁾	Yes	I	EOL T.2
QTi DALI-T/E 2X18...42 DIM ¹⁾	Yes	I	EOL T.2

¹⁾ See product remark

Certificates & standards

Product description	Approval marks – approval	Protection class
QTi DALI-T/E 1x18...57 DIM ¹⁾	VDE / VDE-EMC / EL / EAC / RCM / CCC	I
QTi DALI-T/E 2X18...42 DIM ¹⁾	VDE / VDE-EMC / EL / EAC / RCM / CCC	I

¹⁾ See product remark

Logistical data

Product description	Commodity code
QTi DALI-T/E 1x18...57 DIM ¹⁾	850410809000
QTi DALI-T/E 2X18...42 DIM ¹⁾	850410809000

¹⁾ See product remark

Environmental information Information according Art. 33 of EU Regulation (EC) 1907/2006 (REACH)

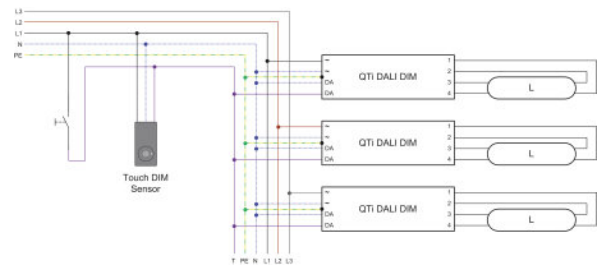
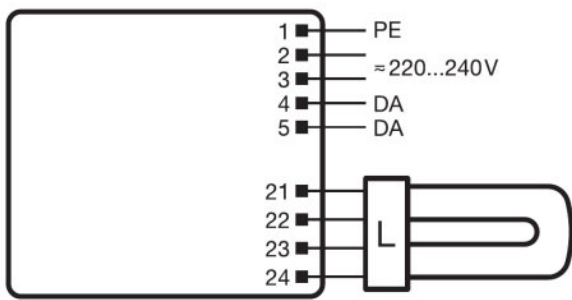
Product description	Date of Declaration	Primary Article Identifier	Candidate List Substance 1
QTi DALI-T/E 1x18...57 DIM ¹⁾	14-04-2022	4008321060808	Lead
QTi DALI-T/E 2X18...42 DIM ¹⁾	14-04-2022	4008321060822	Lead

Product family datasheet

Product description	CAS No. of substance 1	Safe Use Instruction	Declaration No. in SCIP database
QTi DALI-T/E 1x18...57 DIM ¹⁾	7439-92-1	The identification of the Candidate List substance is sufficient to allow safe use of the article.	e17b1bf4-66b0-4758-b99f-77be39911f11
QTi DALI-T/E 2X18...42 DIM ¹⁾	7439-92-1	The identification of the Candidate List substance is sufficient to allow safe use of the article.	27b8c0c2-6392-4f67-8ee2-09e5d9bb1b49

¹⁾ See product remark

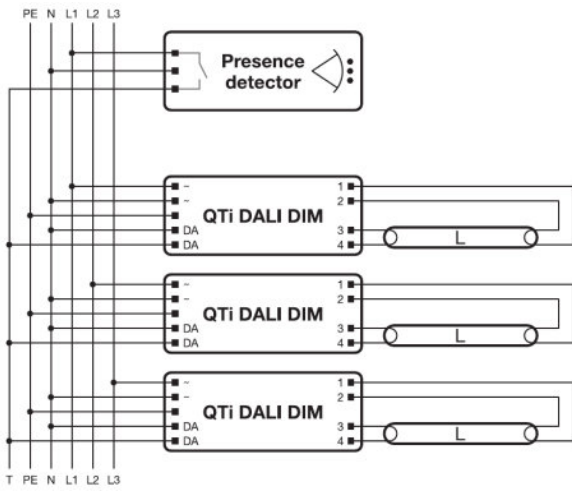
Wiring Diagram



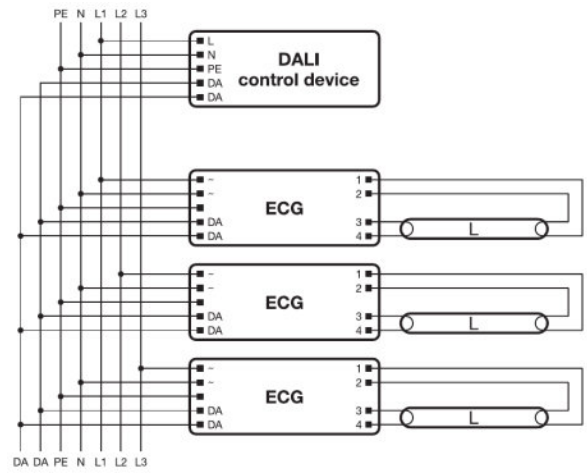
QTi DALI-T/E 1x18...57 DIM

QTi DALI-T/E 1x18...57 DIM, QTi DALI-T/E 2X18...42 DIM

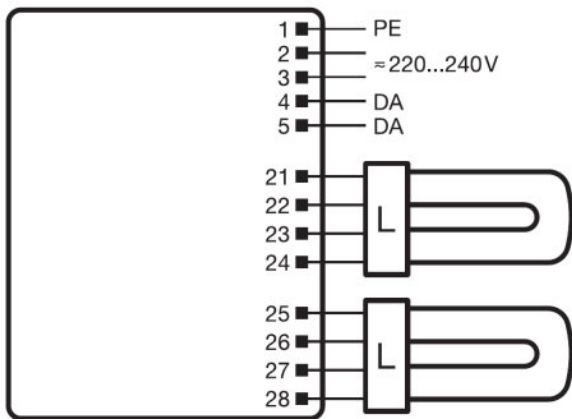
Product family datasheet



QTİ DALI-T/E 1x18...57 DIM, QTİ DALI-T/E 2X18...42 DIM



QTİ DALI-T/E 1x18...57 DIM, QTİ DALI-T/E 2X18...42 DIM



QTİ DALI-T/E 2X18...42 DIM

Product remark

Optional cable clamp, see chapter ECG mountings - cable clamp

Product family datasheet

Application advice

For more detailed application information and graphics please see product datasheet.

Additional product information

- In order to achieve good radio interference suppression:1. Keep the cable between ECG and lamp as short as possible.2. The single lamp wires must be routed as close as possible to each other, whereas the lines of the different lamp ends must be routed separately.








Sales and Technical Support

Sales and Technical Support www.osram.com

Country specific information

Product description	Product code	METEL code	SEG-No.	STK-Number	UK Org
QTi DALI-T/E 1x18...57 DIM	4008321060808	OSRQTITE1X1857DA	-	-	-
QTi DALI-T/E 1x18...57 DIM	4008321060808	OSRQTITE1X1857DA	-	-	-
QTi DALI-T/E 2X18...42 DIM	4008321060822	OSRQTITE2X1842DA	-	-	-
QTi DALI-T/E 2X18...42 DIM	4008321060822	OSRQTITE2X1842DA	-	-	-

Download Data

File
 Addon Technical Information 502689_Frequent switching Quicktronic
 Addon Technical Information 502785_ECG lifetime - QUICKTRONIC (DALI) DIM
 Certificates 334953_EMC-Marks approval
 Certificates 335097_INOTEC
 Certificates QTI DALI VDE 40021252 210920
 Certificates 335135_Manufacturer's declaration – Burning-in of fluorescent lamps
 Certificates 335153_Manufacturer's declaration – Low stand-by

Product family datasheet

	Certificates 335154_Manufacturer's declaration – EN 55015:2006+A1:2007 (300 MHz)
	Certificates 335160_Manufacturer's declaration – Lamp T5 FC QTl-TE DALI...DIM ECG combinations
	Certificates 335169_Manufacturer's declaration – LampECG combinations: Frequent switching
	Certificates Manufacturer's declaration_Additional hints (EN)
	Certificates 504208_VDE-EMC-CERTIFICATE QTl DALI DIM
	Declarations of conformity 334767_Declaration of conformity
	Declarations of conformity QUICKTRONIC DIM CE 3364258 190821
	Operating instructions 596666_EAC QTl DALI TE DIM
	CAD data 3-dim 321612_QTl DALI-TE 1x18-57 DIM
	CAD data 3-dim 321615_QTl DALI-TE 1x18-57 DIM
	CAD data 3-dim 321616_QTl DALI-TE 1x18-57 DIM
	CAD data PDF 321619_QTl DALI-TE 1x18-57 DIM
	Product Datasheet 321492_ATI QTl DALI-TE 2x18-42 DIM (G+GB)
	CAD data 3-dim 321614_QTl DALI-TE 2x18-42 DIM
	CAD data 3-dim 321621_QTl DALI-TE 2x18-42 DIM
	CAD data 3-dim 321622_QTl DALI-TE 2x18-42 DIM
	CAD data PDF 321623_Tl DALI-TE 2x18-42 DIM

Ecodesign regulation information:

Separate control gear and light sources must be disposed of at certified disposal companies in accordance with Directive 2012/19/EU (WEEE) in the EU and with Waste Electrical and Electronic Equipment (WEEE) Regulations 2013 in the UK. For this purpose, collection points for recycling centres and take-back systems (CRSO) are available from retailers or private disposal companies, which accept separate control gear and light sources free of charge. In this way, raw materials are conserved and materials are recycled.

Product family datasheet

Logistical Data

Product code	Product description	Packaging unit (Pieces/Unit)	Dimensions (length x width x height)	Volume	Gross weight
4008321060808	QTi DALI-T/E 1x18...57 DIM	Shipping carton box 20	428 mm x 78 mm x 257 mm	8.58 dm ³	4380.00 g
4008321060822	QTi DALI-T/E 2X18...42 DIM	Shipping carton box 20	428 mm x 78 mm x 257 mm	8.58 dm ³	4700.00 g

The mentioned product code describes the smallest quantity unit which can be ordered. One shipping unit can contain one or more single products. When placing an order, for the quantity please enter single or multiples of a shipping unit.

References / Links

For more information on the system guarantee and the terms and conditions of the guarantee visit

- ▶ www.osram.com/system-guarantee

Disclaimer

Subject to change without notice. Errors and omission excepted. Always make sure to use the most recent release.