

QUICKTRONIC MULTIWATT

ECG for CFL



Areas of application

- Public buildings
- Sports halls and factories
- Suitable for luminaires of protection class I

Product family benefits

- Long lamp life
- No adverse effect from frequent on/off switching
- Automatic restart after lamp replacement
- Perfect lamp start for applications with motion sensors
- Separate installations thanks to optional cable clamp for K2 and K3 casings
- VDE/VDE EMC certified system

Product family features

- Supply voltage: 220...240 V
- Line voltage: 198...264 V
- Line frequency: 0 Hz | 50 Hz | 60 Hz
- Lamp start with optimum filament preheating
- Energy Efficiency Index EEI: A2
- Automatic shutdown of defective lamps and at end of life (EoL T.2)
- Lamp operation: to EN 60929
- Safety: to EN 61347-2-3

Product family datasheet

Technical data

Electrical data

| Product description | Input voltage AC | Nominal voltage | Mains frequency | Input voltage DC |
|-------------------------------|------------------|-----------------|-----------------|---------------------------|
| QT-M 2X26...42 S | 198...264 V | 220...240 V | 50...60 Hz | 176...254 V ²⁾ |
| QTP-M 1X26...42 ¹⁾ | 198...264 V | 220...240 V | 50...60 Hz | 176...276 V |
| QTP-M 2X26...32 ¹⁾ | 198...264 V | 220...240 V | 50...60 Hz | 176...276 V |

¹⁾ See product remark

²⁾ Minimum voltage for lamp ignition: 198 V

Light technical data

| Product description | Starting time |
|-------------------------------|---------------|
| QT-M 2X26...42 S | 1.0 s |
| QTP-M 1X26...42 ¹⁾ | 1.0 s |
| QTP-M 2X26...32 ¹⁾ | 1.0 s |

¹⁾ See product remark

Dimensions & weight

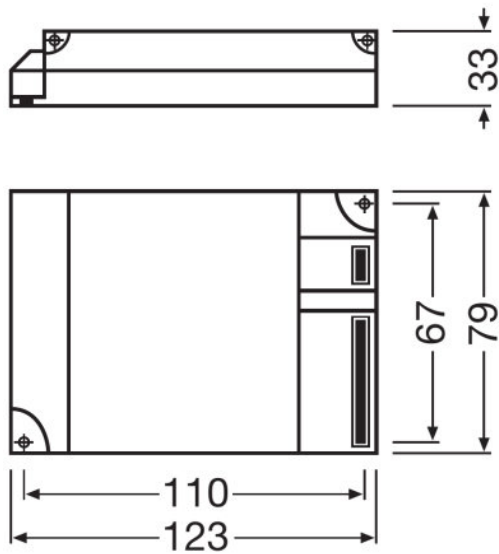
| Product description | Length | Width | Height | Mounting hole spacing, length | Product weight | Cable cross-section, input side |
|-------------------------------|----------|---------|---------|-------------------------------|----------------|---------------------------------|
| QT-M 2X26...42 S | 123.0 mm | 79.0 mm | 33.0 mm | 111.0 mm | 280.00 g | 0.5...1.5 mm ² |
| QTP-M 1X26...42 ¹⁾ | 103.0 mm | 67.0 mm | 31.0 mm | 94.0 mm | 147.00 g | 0.5...1.5 mm ² |
| QTP-M 2X26...32 ¹⁾ | 123.0 mm | 79.0 mm | 33.0 mm | 111.0 mm | 180.00 g | 0.5...1.5 mm ² |

| Product description | Cable cross-section, output side |
|-------------------------------|----------------------------------|
| QT-M 2X26...42 S | 0.5...1.5 mm ² |
| QTP-M 1X26...42 ¹⁾ | 0.5...1.5 mm ² |
| QTP-M 2X26...32 ¹⁾ | 0.5...1.5 mm ² |

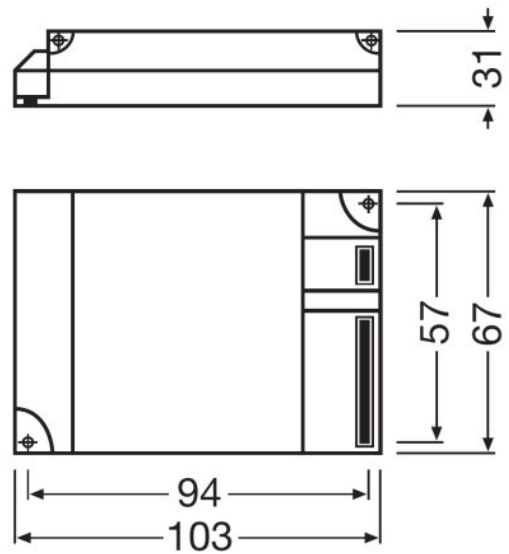
¹⁾ See product remark

Product family datasheet

Product line drawing



QT-M 2X26...42 S, QTP-M 2X26...32



QTP-M 1X26...42

Temperatures & operating conditions

| Product description | Ambient temperature range |
|-------------------------------|---------------------------|
| QT-M 2X26...42 S | -20...+50 °C |
| QTP-M 1X26...42 ¹⁾ | -20...+50 °C |
| QTP-M 2X26...32 ¹⁾ | -20...+50 °C |

¹⁾ See product remark

Lifespan

| Product description | ECG lifetime |
|-------------------------------|-----------------------|
| QT-M 2X26...42 S | 50000 h ²⁾ |
| QTP-M 1X26...42 ¹⁾ | 50000 h ²⁾ |
| QTP-M 2X26...32 ¹⁾ | 50000 h ³⁾ |

¹⁾ See product remark

²⁾ At $T_{case} = 75^{\circ}C$ at T_c point / 10% failure rate

³⁾ At $T_{case} = 70^{\circ}C$ at T_c point / 10% failure rate

Product family datasheet

Capabilities

| Product description | End of lamp life safety shutdown | Suitable for fixtures with prot. class |
|-------------------------------|----------------------------------|--|
| QT-M 2X26...42 S | EOL T.2 | I / II |
| QTP-M 1X26...42 ¹⁾ | EOL T.2 | I / II |
| QTP-M 2X26...32 ¹⁾ | EOL T.2 | I / II |

¹⁾ See product remark

Certificates & standards

| Product description | Approval marks – approval | EEI – Energy Label | Protection class |
|-------------------------------|--------------------------------------|--------------------|------------------|
| QT-M 2X26...42 S | VDE / VDE-EMC / ENEC 10 / GOST / RCM | A2 | I |
| QTP-M 1X26...42 ¹⁾ | VDE / VDE-EMC / ENEC 10 / GOST / RCM | A2 | III |
| QTP-M 2X26...32 ¹⁾ | VDE / VDE-EMC / ENEC 10 / GOST / RCM | A2 | III |

¹⁾ See product remark

Logistical data

| Product description | Commodity code |
|-------------------------------|----------------|
| QT-M 2X26...42 S | 85041080900 |
| QTP-M 1X26...42 ¹⁾ | 85041080900 |
| QTP-M 2X26...32 ¹⁾ | 85041080900 |

¹⁾ See product remark

Environmental information Information according Art. 33 of EU Regulation (EC) 1907/2006 (REACH)

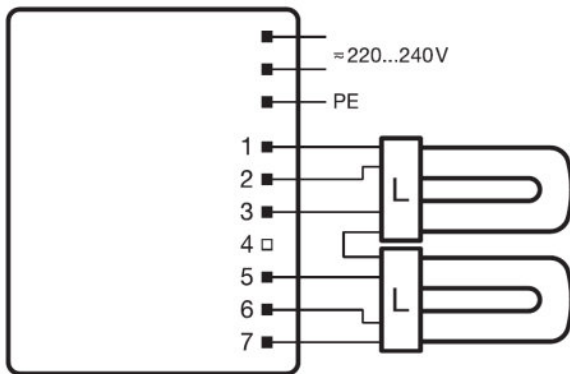
| Product description | Date of Declaration | Primary Article Identifier | Candidate List Substance 1 |
|-------------------------------|---------------------|----------------------------|----------------------------|
| QT-M 2X26...42 S | 19-05-2023 | 4008321110022 | Lead |
| QTP-M 1X26...42 ¹⁾ | 21-04-2023 | 4008321329134 | Lead |
| QTP-M 2X26...32 ¹⁾ | 28-04-2023 | 4008321329158 | Lead |

Product family datasheet

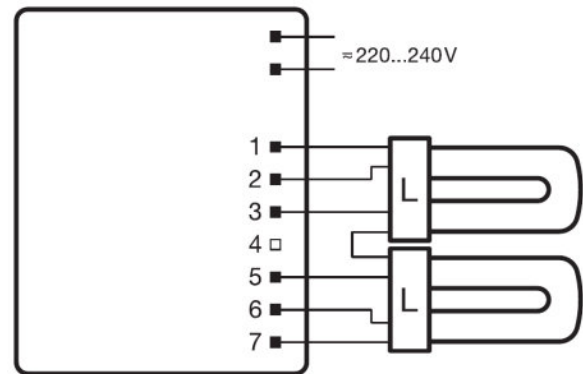
| Product description | CAS No. of substance 1 | Safe Use Instruction | Declaration No. in SCIP database |
|-------------------------------|------------------------|--|--------------------------------------|
| QT-M 2X26...42 S | 7439-92-1 | The identification of the Candidate List substance is sufficient to allow safe use of the article. | 211bb136-a02e-4a76-8c81-1897997ff9dd |
| QTP-M 1X26...42 ¹⁾ | 7439-92-1 | The identification of the Candidate List substance is sufficient to allow safe use of the article. | 861b07f7-1433-4193-9e7e-c0218c6ef92c |
| QTP-M 2X26...32 ¹⁾ | 7439-92-1 | The identification of the Candidate List substance is sufficient to allow safe use of the article. | dc7d562f-b5f3-4425-b1d4-eeac0769ceaf |

¹⁾ See product remark

Wiring Diagram



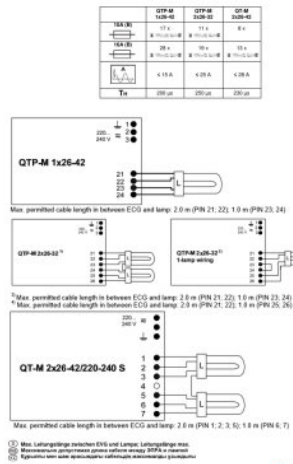
QT-M 2X26...42 S



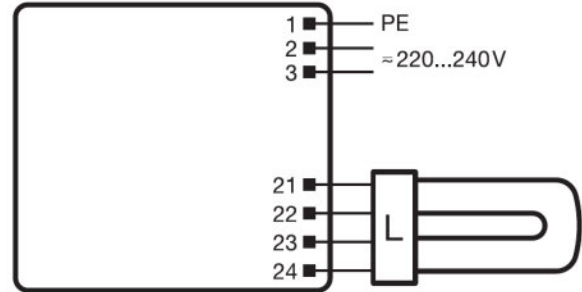
QT-M 2X26...42 S

Product family datasheet

QUICKTRONIC® M

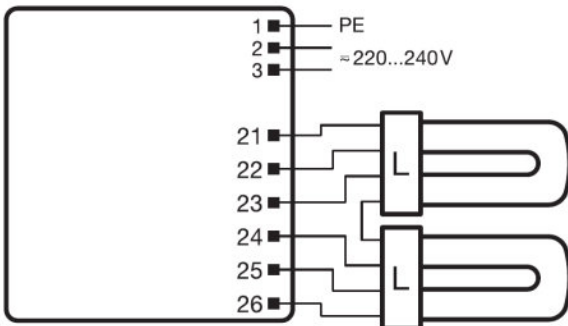


OSRAM

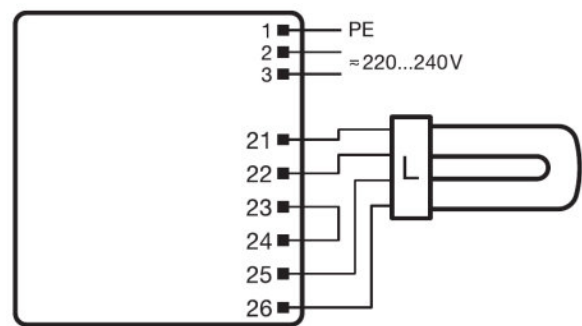


QTP-M 2X26...42 S, QTP-M 1X26...42, QTP-M 2X26...32

QTP-M 1X26...42

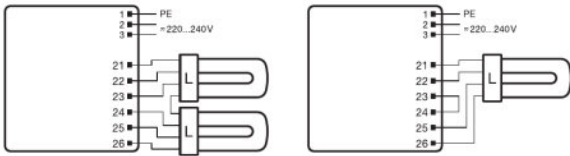


QTP-M 2X26...32



QTP-M 2X26...32

Product family datasheet



QTP-M 2X26...32

Product remark

Optional cable clamp, see chapter ECG mountings - cable clamp

Application advice

For more detailed application information and graphics please see product datasheet.

Additional product information

- In order to achieve good radio interference suppression:1. Keep the cable between ECG and lamp as short as possible.2. The single lamp wires must be routed as close as possible to each other, whereas the lines of the different lamp ends must be routed separately.

Sales and Technical Support

Sales and Technical Support www.osram.com

















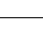
Country specific information

| Product description | Product code | METEL code | SEG-No. | STK number | UK Org |
|---------------------|---------------|--------------|---------|------------|--------|
| QT-M 2X26...42 S | 4008321110022 | OSRQTM2X2642 | - | 4030127 | - |
| QT-M 2X26...42 S | 4008321110022 | OSRQTM2X2642 | - | 4030127 | - |

Product family datasheet

| | | | | | |
|-----------------|---------------|---------------|---|---------|---|
| QTP-M 1X26...42 | 4008321329134 | OSRQTPM1X2642 | - | 4030151 | - |
| QTP-M 1X26...42 | 4008321329134 | OSRQTPM1X2642 | - | 4030151 | - |
| QTP-M 2X26...32 | 4008321329158 | OSRQTPM2X2632 | - | 4030152 | - |
| QTP-M 2X26...32 | 4008321329158 | OSRQTPM2X2632 | - | 4030152 | - |

Download Data

| File | |
|---|---|
|  | User instruction QUICKTRONIC QTP M QT M |
|  | Addon Technical Information 57965_ADDON TECHNICAL INFORMATION QT-M 2x26-42 S (G+GB) |
|  | Certificates 334981_EMCC-Marks approval QT-M |
|  | Certificates 334982_ENEC-Marks approval QT-M |
|  | Certificates 335126_CEAG requirements Compatibility to modules of manufacturers for emergency lighti |
|  | Certificates 335169_Manufacturer's declaration – LampECG combinations: Frequent switching |
|  | Certificates 504211_VDE-EMC-Certificate QT-M |
|  | Declarations of conformity QUICKTRONIC CE 3364256 060923 |
|  | CAD data 3-dim 313449_123x79x33 9900044 |
|  | CAD data 3-dim 313489_123x79x33 9900044 |
|  | CAD data 3-dim 314264_123x79x33 9900044 |
|  | CAD data PDF 313391_123x79x33 9900044 |
|  | Addon Technical Information 321428_ATI QTP-M 1X26-42 (GB) |
|  | Certificates 334956_EMCC-Marks approval – QTP-M |
|  | Certificates 335097_INOTEC |
|  | Certificates 335101_ENEC-VDE-Marks approval |
|  | Certificates 335181_VDE Quality Tested – Simplified luminaire approbation |

Product family datasheet

| | |
|---|--|
|  | CAD data 3-dim 321777_QTP-M 1X26-42 |
|  | CAD data 3-dim 321778_QTP-M 1X26-42 |
|  | Addon Technical Information 321429_ATI QTP-M 2X26-32 (GB) |
|  | CAD data 3-dim 321779_QTP-M 2X26-32 |
|  | CAD data 3-dim 321780_QTP-M 2X26-32 |

Ecodesign regulation information:

Separate control gear and light sources must be disposed of at certified disposal companies in accordance with Directive 2012/19/EU (WEEE) in the EU and with Waste Electrical and Electronic Equipment (WEEE) Regulations 2013 in the UK. For this purpose, collection points for recycling centres and take-back systems (CRSO) are available from retailers or private disposal companies, which accept separate control gear and light sources free of charge. In this way, raw materials are conserved and materials are recycled.

Logistical Data

| Product code | Product description | Packaging unit (Pieces/Unit) | Dimensions (length x width x height) | Volume | Gross weight |
|---------------|---------------------|------------------------------|--------------------------------------|-----------------------|--------------|
| 4008321110022 | QT-M 2X26...42 S | Shipping carton box 20 | 412 mm x 260 mm x 101 mm | 10.82 dm ³ | 5958.00 g |
| 4008321329134 | QTP-M 1X26...42 | Shipping carton box 20 | 357 mm x 222 mm x 96 mm | 7.61 dm ³ | 3191.00 g |
| 4008321329158 | QTP-M 2X26...32 | Shipping carton box 20 | 418 mm x 255 mm x 82 mm | 8.74 dm ³ | 3839.00 g |

The mentioned product code describes the smallest quantity unit which can be ordered. One shipping unit can contain one or more single products. When placing an order, for the quantity please enter single or multiples of a shipping unit.

Disclaimer

Subject to change without notice. Errors and omission excepted. Always make sure to use the most recent release.