

## QTP-M 2X26...32

QUICKTRONIC MULTIWATT | ECG for CFL



### Product family features

- Supply voltage: 220...240 V
- Line voltage: 198...264 V
- Line frequency: 0 Hz | 50 Hz | 60 Hz
- Lamp start with optimum filament preheating
- Energy Efficiency Index EEI: A2
- Automatic shutdown of defective lamps and at end of life (EoL T.2)
- Lamp operation: to EN 60929
- Safety: to EN 61347-2-3

### Product family benefits

- Long lamp life
- No adverse effect from frequent on/off switching
- Automatic restart after lamp replacement
- Perfect lamp start for applications with motion sensors
- Separate installations thanks to optional cable clamp for K2 and K3 casings
- VDE/VDE EMC certified system

### Areas of application

- Public buildings
- Sports halls and factories
- Suitable for luminaires of protection class I

# Product datasheet

## Technical data

### Electrical data

Input voltage AC	198...264 V
Nominal voltage	220...240 V
Mains frequency	50...60 Hz
Input voltage DC	176...276 V
Maximum output power	2 x 32 W
Efficiency in full-load	93 % <sup>1)</sup>
Operating frequency	45 kHz <sup>2)</sup>
Max. ECG no. on circuit breaker 10 A (B)	11 <sup>3)</sup>
Max. ECG no. on circuit breaker 16 A (B)	19 <sup>3)</sup>
Inrush current	25 A
Line current	0.30 A

<sup>1)</sup> at 230 V, 50 Hz

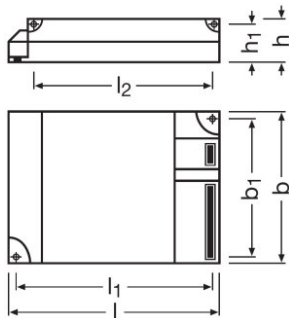
<sup>2)</sup> Approximately

<sup>3)</sup> Type B

### Light technical data

Starting time	1.0 s
---------------	-------

### Dimensions & weight



Length	123.0 mm
Width	79.0 mm
Height	33.0 mm
Mounting hole spacing, length	111.0 mm
Product weight	180.00 g
Cable cross-section, output side	0.5...1.5 mm <sup>2</sup>
Cable cross-section, input side	0.5...1.5 mm <sup>2</sup>

## Temperatures & operating conditions

Ambient temperature range	-20...+50 °C
Permitted rel. humidity during operation	5...85 % <sup>1)</sup>

<sup>1)</sup> Maximum 56 days/year at 85 %

## Lifespan

ECG lifetime	50000 h <sup>1)</sup>
--------------	-----------------------

<sup>1)</sup> At  $T_{case} = 70^{\circ}C$  at  $T_c$  point / 10% failure rate

## Additional product data

Product remark	Optional cable clamp, see chapter ECG mountings - cable clamp
Suitable for lamp power (2 lamps)	26...32 W

## Capabilities

Suitable for fixtures with prot. class	I / II
End of lamp life safety shutdown	EOL T.2
Max. cable length to lamp/LED module	2.0 m / 1.0 m
Dimmable	No
Intended for no-load operation	No

## Certificates & standards

Approval marks – approval	VDE / VDE-EMC / ENEC 10 / GOST / RCM
EEI – Energy Label	A2
Standards	Acc. to EN 61347-2-3/Acc. to EN 60929/Acc. to EN 55015:2006 + A1:2007/Acc. to EN 61000-3-2/Acc. to EN 61547
Protection class	III
Type of protection	IP20

## Logistical data

Commodity code	85041080900
----------------	-------------

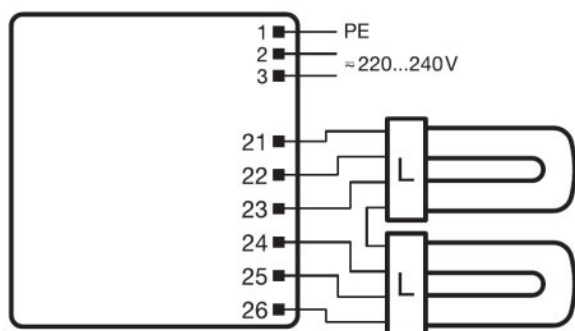
## Environmental information

Information according Art. 33 of EU Regulation (EC) 1907/2006 (REACH)	
Date of Declaration	28-04-2023
Primary Article Identifier	4008321329158
Candidate List Substance 1	Lead
CAS No. of substance 1	7439-92-1

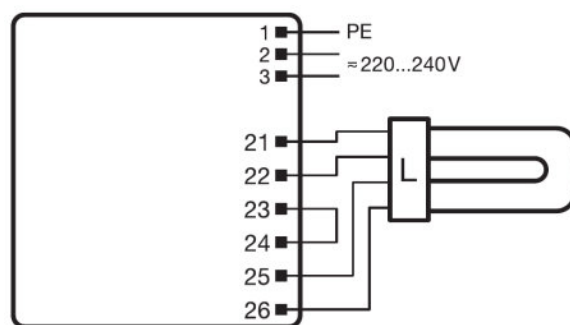
## Product datasheet

<b>Safe Use Instruction</b>	The identification of the Candidate List substance is sufficient to allow safe use of the article.
<b>Declaration No. in SCIP database</b>	dc7d562f-b5f3-4425-b1d4-eeac0769ceaf

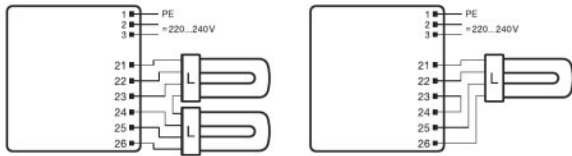
### Wiring Diagram



320040\_QTP-M 2x26-32

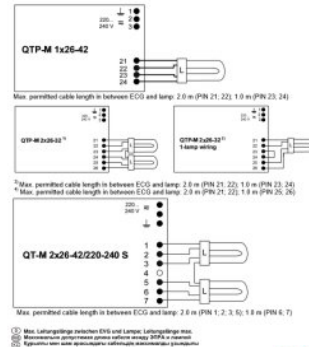


320041\_QTP-M 2x26-32



QUICKTRONIC® M

TYPE	QTP-M 1x26-42	QTP-M 2x26-32	QT-M 2x26-42
Pin 1	0 V	0 V	0 V
Pin 2	0 V	0 V	0 V
Pin 3	0 V	0 V	0 V
Pin 4	0 V	0 V	0 V
Pin 5	0 V	0 V	0 V
Pin 6	0 V	0 V	0 V
Pin 7	0 V	0 V	0 V
Pin 8	0 V	0 V	0 V
Pin 9	0 V	0 V	0 V
Pin 10	0 V	0 V	0 V
Pin 11	0 V	0 V	0 V
Pin 12	0 V	0 V	0 V
Pin 13	0 V	0 V	0 V
Pin 14	0 V	0 V	0 V
Pin 15	0 V	0 V	0 V
Pin 16	0 V	0 V	0 V
Pin 17	0 V	0 V	0 V
Pin 18	0 V	0 V	0 V
Pin 19	0 V	0 V	0 V
Pin 20	0 V	0 V	0 V
Pin 21	0 V	0 V	0 V
Pin 22	0 V	0 V	0 V
Pin 23	0 V	0 V	0 V
Pin 24	0 V	0 V	0 V
Pin 25	0 V	0 V	0 V
Pin 26	0 V	0 V	0 V



320042\_QTP-M 2x26-32

596698\_EAC QTP-M







Additional product information

- In order to achieve good radio interference suppression:1. Keep the cable between ECG and lamp as short as possible.2. The single lamp wires must be routed as close as possible to each other, whereas the lines of the different lamp ends must be routed separately.

Download Data

File
User instruction QUICKTRONIC QTP M QT M
Addon Technical Information 321429_ATI QTP-M 2X26-32 (GB)
Certificates 334956_EMC-Marks approval &#150; QTP-M
Certificates 334981_EMC-Marks approval QT-M
Certificates 334982_ENEC-Marks approval QT-M
Certificates 335097_INOTEC
Certificates 335101_ENEC-VDE-Marks approval
Certificates 335126_CEAG requirements Compatibility to modules of manufacturers for emergency lighti

## Product datasheet

	Certificates 335169_Manufacturer's declaration &#150; LampECG combinations: Frequent switching
	Certificates 335181_VDE Quality Tested &#150; Simplified luminaire approbation
	Certificates 504211_VDE-EMC-Certificate QT-M
	Declarations of conformity QUICKTRONIC CE 3364256 060923
	CAD data 3-dim 321779_QTP-M 2X26-32
	CAD data 3-dim 321780_QTP-M 2X26-32

### Ecodesign regulation information:

Separate control gear and light sources must be disposed of at certified disposal companies in accordance with Directive 2012/19/EU (WEEE) in the EU and with Waste Electrical and Electronic Equipment (WEEE) Regulations 2013 in the UK. For this purpose, collection points for recycling centres and take-back systems (CRSO) are available from retailers or private disposal companies, which accept separate control gear and light sources free of charge. In this way, raw materials are conserved and materials are recycled.

### Logistical Data

Product code	Product description	Packaging unit (Pieces/Unit)	Dimensions (length x width x height)	Volume	Gross weight
4008321329158	QTP-M 2X26...32	Shipping carton box 20	418 mm x 255 mm x 82 mm	8.74 dm <sup>3</sup>	3839.00 g

The mentioned product code describes the smallest quantity unit which can be ordered. One shipping unit can contain one or more single products. When placing an order, for the quantity please enter single or multiples of a shipping unit.

### Disclaimer

Subject to change without notice. Errors and omission excepted. Always make sure to use the most recent release.

## QTP-M 2X26...32

QUICKTRONIC MULTIWATT | ECG for CFL

Product name	Lamp group	Nominal current	Nominal wattage + Power loss	Power factor $\lambda$ [PIM]	Luminous flux at 25 °C	Number of lighting outlets	Luminous flux at 35 °C
QTP-M 2X26...32	DULUX D/E 26 W	0.24 A	53.00 W	0.97	2*1750 lm	2	
	DULUX F 18 W	0.16 A	36.00 W	0.95		2	1050 lm
	DULUX F 24 W	0.21 A	48.00 W	0.97		2	1650 lm
	DULUX F 36 W	0.30 A	68.00 W	0.97		2	2700 lm
	DULUX L 18 W	0.16 A	36.00 W	0.95		2	1150 lm
	DULUX L 24 W	0.22 A	48.00 W	0.97		2	1750 lm
	DULUX L 36 W	0.30 A	68.00 W	0.97		2	2800 lm
	DULUX T/E 26 W	0.24 A	53.00 W	0.97	1750 lm	2	
	DULUX T/E 32 W	0.30 A	68.00 W	0.97	2400 lm	2	
	DULUX T/E 42 W	0.20 A	46.00 W	0.97	3200 lm	1	
	FC 22 W	0.22 A	49.00 W	0.97		2	1800 lm
	HO 24 W	0.23 A	49.00 W	0.97		2	1750 lm
	L 18 W	0.17 A	36.00 W	0.95		2	1350 lm