

## HALOTRONIC-COMPACT – HTM, HTN

Electronic transformers for low-voltage halogen lamps



### Areas of application

- Effect and accent lighting
- Living rooms
- Object lighting
- Conference rooms
- Restaurants
- Recessed and surface-mounted furniture luminaires
- Shop lighting
- Event rooms

### Product family benefits

- Very low power loss thanks to high efficacy
- Strain relief suitable for different cable types (HTM)
- Suitable for space-critical installation thanks to compact functional design
- Extremely compact transformer for highly space-critical installation conditions (HTN)
- Protective operation throughout the entire partial-load range for long lamp life

### Product family features

- Line frequency: 50...60 Hz
- RI suppression: to EN 55015 (A1: 2007)/CISPR 15, EN 55022
- Line harmonics according to EN 61000-3-2
- Immunity according to EN 61547
- Safety: to EN 61347
- Short-circuit protection, overload protection, overtemperature protection: electronically reversible
- Electrical isolation between the primary side and the secondary side
- Dimmable on the leading edge (without HTN) and trailing edge

## Product family datasheet

### Technical data

#### Electrical data

| Product description | Lamp wattage | Maximum output power | Line current         | Nominal voltage | Operating frequency  |
|---------------------|--------------|----------------------|----------------------|-----------------|----------------------|
| HTM 70/230...240    | 20...70 W    | 70 W                 | 0.27 A <sup>1)</sup> | 230...240 V     | 52 kHz <sup>2)</sup> |
| HTM 105/230...240   | 35...105 W   | 105 W                | 0.41 A <sup>1)</sup> | 230...240 V     | 43 kHz <sup>2)</sup> |
| HTM 150/230...240   | 50...150 W   | 150 W                | 0.57 A <sup>1)</sup> | 230...240 V     | 40 kHz <sup>2)</sup> |
| HTN 75/230...240 I  | 20...75 W    | 75 W                 | 0.32 A <sup>1)</sup> | 230...240 V     | 50 kHz <sup>2)</sup> |

| Product description | Nominal output voltage      | Efficiency in full-load |
|---------------------|-----------------------------|-------------------------|
| HTM 70/230...240    | 11.2 / 11.2 V <sup>3)</sup> | 95 %                    |
| HTM 105/230...240   | 11.3 / 11.4 V <sup>4)</sup> | 95 %                    |
| HTM 150/230...240   | 11.4 / 11.5 V <sup>5)</sup> | 95 %                    |
| HTN 75/230...240 I  | 11.5 / 11.7 V <sup>6)</sup> | 95 %                    |

<sup>1)</sup> Effectively

<sup>2)</sup> Approximately

<sup>3)</sup> 70 W / 20 W

<sup>4)</sup> 105 W / 35 W

<sup>5)</sup> 150 W / 50 W

<sup>6)</sup> 75 W / 20 W

#### Dimensions & weight

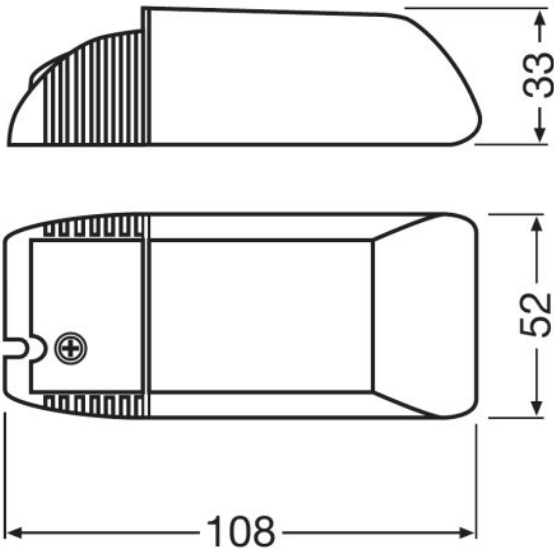
| Product description | Length   | Width   | Mounting hole spacing, length | Height  | Mounting hole spacing, width | Cable cross-section, input side |
|---------------------|----------|---------|-------------------------------|---------|------------------------------|---------------------------------|
| HTM 70/230...240    | 108.0 mm | 52.0 mm | -                             | 33.0 mm | -                            | 2.5 mm <sup>2</sup>             |
| HTM 105/230...240   | 108.0 mm | 52.0 mm | -                             | 33.0 mm | -                            | 2.5 mm <sup>2</sup>             |
| HTM 150/230...240   | 153.0 mm | 54.0 mm | 146.0 mm                      | 36.0 mm | 15.0 mm                      | 1.5 mm <sup>2</sup>             |
| HTN 75/230...240 I  | 104.0 mm | 33.0 mm | 98.0 mm                       | 22.0 mm | -                            | 1.5 mm <sup>2</sup>             |

| Product description | Cable cross-section, output side | Wire preparation length, input side | Wire preparation length, output side | Product weight |
|---------------------|----------------------------------|-------------------------------------|--------------------------------------|----------------|
| HTM 70/230...240    | 2.5 mm <sup>2</sup>              | 12 / 7.0 mm <sup>1)</sup>           | 12 / 7.0 mm <sup>1)</sup>            | 110.00 g       |
| HTM 105/230...240   | 2.5 mm <sup>2</sup>              | 12 / 7.0 mm <sup>1)</sup>           | 12 / 7.0 mm <sup>1)</sup>            | 125.00 g       |
| HTM 150/230...240   | 2.5 mm <sup>2</sup>              | 12 / 8.0 mm <sup>1)</sup>           | 12 / 8.0 mm <sup>1)</sup>            | 185.00 g       |
| HTN 75/230...240 I  | 1.5 mm <sup>2</sup>              | 10 / 6.0 mm <sup>1)</sup>           | 10 / 6.0 mm <sup>1)</sup>            | 68.00 g        |

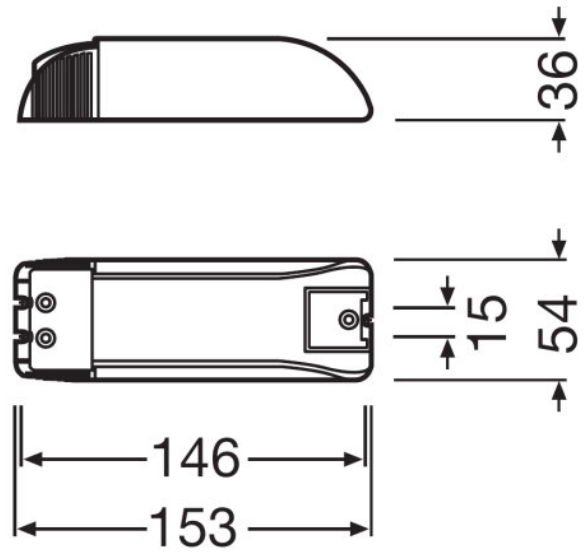
<sup>1)</sup> Cable sheath / Wire

# Product family datasheet

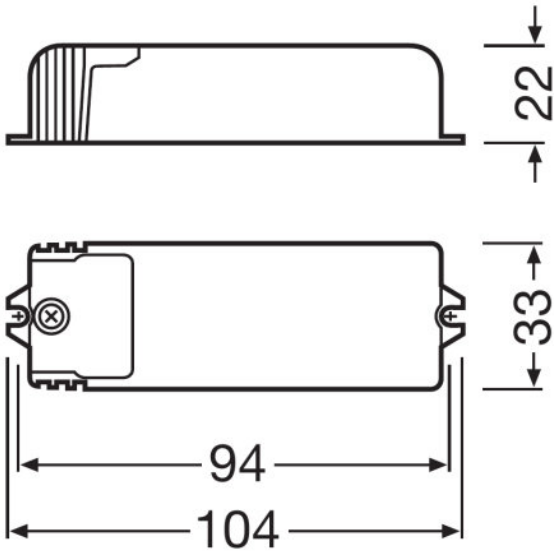
## Product line drawing



HTM 70/230...240, HTM 105/230...240



HTM 150/230...240



HTN 75/230...240 I

## Product family datasheet

### Temperatures & operating conditions

| Product description | Ambient temperature range |
|---------------------|---------------------------|
| HTM 70/230...240    | 0...+50 °C                |
| HTM 105/230...240   | 0...+45 °C                |
| HTM 150/230...240   | 0...+45 °C                |
| HTN 75/230...240 I  | 0...+50 °C                |

### Capabilities

| Product description | Dimming method   |
|---------------------|--|
| HTM 70/230...240    | Trailing- or leading-edge phase control for inductive load dimmers |
| HTM 105/230...240   | Trailing- or leading-edge phase control for inductive load dimmers |
| HTM 150/230...240   | Trailing- or leading-edge phase control for inductive load dimmers |
| HTN 75/230...240 I  | Trailing-edge phase control  |

## Product family datasheet

### Certificates & standards

| Product description | Approval marks – approval         | Standards   | Type of protection |
|---------------------|-----------------------------------|---|--------------------|
| HTM 70/230...240    | VDE / VDE-EMC / E1 approval / EAC | Acc. to DIN VDE 0875/CISPR 15/EN 55015/Acc. to EN 61547/EN 61047/Acc. to IEC 61000-3-2/EN 61000-3-2/Acc. to EN 55015/Acc. to EN 61000-3-2/Acc. to EN 61547/Acc. to IEC 61347/Acc. to EN 61347/Acc. to EN 55015/Acc. to EN 61000-3-2/Acc. to EN 61547/Acc. to EN 61047 | IP20               |
| HTM 105/230...240   | VDE / VDE-EMC / E1 approval / EAC | Acc. to DIN VDE 0875/CISPR 15/EN 55015/Acc. to EN 61547/EN 61047/Acc. to IEC 61000-3-2/EN 61000-3-2/Acc. to EN 55015/Acc. to EN 61000-3-2/Acc. to EN 61547/Acc. to IEC 61347/Acc. to EN 61347/Acc. to EN 55015/Acc. to EN 61000-3-2/Acc. to EN 61547/Acc. to EN 61047 | IP20               |
| HTM 150/230...240   | VDE / VDE-EMC / E1 approval / EAC | Acc. to DIN VDE 0875/CISPR 15/EN 55015/Acc. to EN 61547/EN 61047/Acc. to IEC 61000-3-2/EN 61000-3-2/Acc. to EN 55015/Acc. to EN 61000-3-2/Acc. to EN 61547/Acc. to IEC 61347/Acc. to EN 61347/Acc. to EN 55015/Acc. to EN 61000-3-2/Acc. to EN 61547/Acc. to EN 61047 | IP20               |
| HTN 75/230...240 I  | VDE / VDE-EMC / E1 approval / EAC | Acc. to DIN VDE 0875/CISPR 15/EN 55015/Acc. to EN 61547/Acc. to EN 61000-3-2/Acc. to EN 61347/Acc. to EN 55015/Acc. to EN 61000-3-2/Acc. to EN 61547/Acc. to EN 61047   | IP20               |

## Product family datasheet

### Logistical data

| Product description | Commodity code |
|---------------------|----------------|
| HTM 70/230...240    | 850440959000   |
| HTM 105/230...240   | 850440959000   |
| HTM 150/230...240   | 850440959000   |
| HTN 75/230...240 I  | 850440959000   |

### Environmental information Information according Art. 33 of EU Regulation (EC) 1907/2006 (REACH)

| Product description | Date of Declaration | Primary Article Identifier | Candidate List Substance 1 |
|---------------------|---------------------|----------------------------|----------------------------|
| HTM 70/230...240    | 13-05-2022          | 4050300442310              | Lead                       |
| HTM 105/230...240   | 14-04-2022          | 4050300442334              | Lead                       |
| HTM 150/230...240   | 14-04-2022          | 4050300581415              | Lead                       |
| HTN 75/230...240 I  | 14-04-2022          | 4008321073037              | Lead                       |

| Product description | CAS No. of substance 1 | Safe Use Instruction   | Declaration No. in SCIP database     |
|---------------------|------------------------|--|--------------------------------------|
| HTM 70/230...240    | 7439-92-1              | The identification of the Candidate List substance is sufficient to allow safe use of the article. | 8b145f50-5dc5-4dbb-90bd-b1e7a704b191 |
| HTM 105/230...240   | 7439-92-1              | The identification of the Candidate List substance is sufficient to allow safe use of the article. | 58ef80b5-c0d0-485c-840d-8b4f50823df6 |
| HTM 150/230...240   | 7439-92-1              | The identification of the Candidate List substance is sufficient to allow safe use of the article. | 27db51e6-9dac-4635-a3db-c800df76407f |
| HTN 75/230...240 I  | 7439-92-1              | The identification of the Candidate List substance is sufficient to allow safe use of the article. | b3c362b8-6ab5-4fc3-9ef3-3665a1d0822a |

### Application advice

For more detailed application information and graphics please see product datasheet.

### Sales and Technical Support

Sales and Technical Support [www.osram.com](http://www.osram.com)

### Country specific information







## Product family datasheet

| Product description | Product code  | METEL code | SEG-No. | STK number | UK Org |
|---------------------|---------------|------------|---------|------------|--------|
| HTM 70/230...240    | 4050300442310 | OSRHTM70   | -       | 4031017    | -      |
| HTM 70/230...240    | 4050300442310 | OSRHTM70   | -       | 4031017    | -      |
| HTM 105/230...240   | 4050300442334 | OSRHTM105  | -       | 4031020    | -      |
| HTM 105/230...240   | 4050300442334 | OSRHTM105  | -       | 4031020    | -      |
| HTM 150/230...240   | 4050300581415 | OSRHTM150  | -       | 4031030    | -      |
| HTM 150/230...240   | 4050300581415 | OSRHTM150  | -       | 4031030    | -      |
| HTN 75/230...240 I  | 4008321073037 | OSRHTN75I  | -       | 4030201    | -      |
| HTN 75/230...240 I  | 4008321073037 | OSRHTN75I  | -       | 4030201    | -      |

### Download Data

| File  |  |
|---|--|
|    | User instruction<br>HALOTRONIC HTM HTN HTL                           |
|   | User instruction<br>HTLHTMHTN UI 080518                              |
|  | Certificates<br>504178_EAC HT family                                 |
|  | Certificates<br>VDE ENEC Certificate 40024665                        |
|  | Certificates<br>HALOTRONIC EMC 134590 280722                         |
|  | Declarations of conformity<br>HALOTRONIC ET PARROT CE 3674444 150222 |
|  | Installation/Operation notice<br>334738_HALOTRONIC &#150; Manual     |
|  | CAD data 3-dim<br>313437_108x52x33 9900021                           |
|  | CAD data 3-dim<br>313457_108x52x33 9900021                           |
|  | CAD data 3-dim<br>313479_108x52x33 9900021                           |
|  | CAD data PDF<br>313411_108x52x33 9900021                             |
|  | Product Datasheet<br>321697_ATI - HTM 105230-240 (G+GB)              |
|  | Addon Technical Information<br>321703_ATI HTM 150230-240 (GB)        |
|  | CAD data 3-dim<br>320673_HTM 150                                     |

## Product family datasheet

|   |  |
|---|--|
|  | CAD data 3-dim<br>320679_HTM 150                               |
|  | Addon Technical Information<br>321701_ATI HTN 75230-240 I (GB) |
|  | CAD data 3-dim<br>313425_98(104)x33x22 9900005                 |
|  | CAD data 3-dim<br>313427_98(104)x33x22 9900005                 |
|  | CAD data 3-dim<br>313504_98(104)x33x22 9900005                 |
|  | CAD data PDF<br>313417_98(104)x33x22 9900005                   |

### Ecodesign regulation information:

Separate control gear and light sources must be disposed of at certified disposal companies in accordance with Directive 2012/19/EU (WEEE) in the EU and with Waste Electrical and Electronic Equipment (WEEE) Regulations 2013 in the UK. For this purpose, collection points for recycling centres and take-back systems (CRSO) are available from retailers or private disposal companies, which accept separate control gear and light sources free of charge. In this way, raw materials are conserved and materials are recycled.

### Logistical Data

| Product code  | Product description | Packaging unit (Pieces/Unit) | Dimensions (length x width x height) | Volume               | Gross weight |
|---------------|---------------------|------------------------------|--------------------------------------|----------------------|--------------|
| 4050300442310 | HTM 70/230...240    | Shipping carton box<br>20    | 270 mm x 94 mm x 229 mm              | 5.81 dm <sup>3</sup> | 2436.00 g    |
| 4050300442334 | HTM 105/230...240   | Shipping carton box<br>20    | 270 mm x 94 mm x 229 mm              | 5.81 dm <sup>3</sup> | 2736.00 g    |
| 4050300581415 | HTM 150/230...240   | Shipping carton box<br>10    | 276 mm x 98 mm x 166 mm              | 4.49 dm <sup>3</sup> | 2046.50 g    |
| 4008321073037 | HTN 75/230...240 I  | Shipping carton box<br>20    | 235 mm x 75 mm x 179 mm              | 3.15 dm <sup>3</sup> | 1692.00 g    |

The mentioned product code describes the smallest quantity unit which can be ordered. One shipping unit can contain one or more single products. When placing an order, for the quantity please enter single or multiples of a shipping unit.

### Disclaimer

Subject to change without notice. Errors and omission excepted. Always make sure to use the most recent release.