

PAR64 64739/4 MFL

PAR64 | Halogen lamps with parabolic reflector PAR64, with pin base



Areas of application

- Events
- Performances
- Stage productions

Product family benefits

- Easy lamp replacement
- Flexible operating position

Product family features

- The parabolic glass reflector and the front lens are fused together
- High luminous intensity
- Available in different beam angles to ensure high flexibility



Product datasheet

Technical data

Electrical data

Nominal voltage	240 V
On-mode power	1035.00 W
Energy consumption in on-mode	1035.0 kWh/1000h

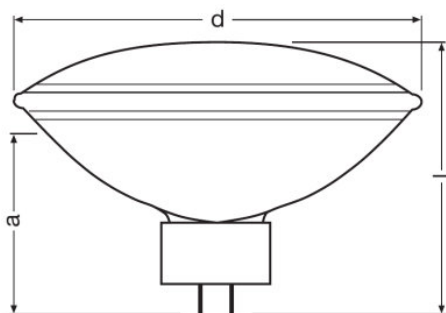
Photometrical data

Color temperature	3200 K
Luminous intensity	125000 cd
Φ_{use} value refers to luminous flux ..	90
Correlated color temperature CCT	3090 K
Useful luminous flux (Φ_{use})	15800 lm
Chromaticity coordinate x	0.430
Chromaticity coordinate y	0.402

Light technical data

Beam spot height	43 m
------------------	------

Dimensions & weight



Light center length (LCL)	102.0 mm
Product weight	925.00 g
Length	152.4 mm
Diameter	204.0 mm

Lifespan

Lifespan	300 h
----------	-------

Additional product data

Product datasheet

Base (standard designation)	GX16d
Lighting technology used	HL

Capabilities

Burning position	Other ¹⁾
------------------	---------------------

¹⁾ Do not tilt perpendicular to the filament

Certificates & standards

Energy efficiency class	G
-------------------------	---

Country specific categorizations

ANSI code	Other
-----------	-------

Environmental information

Information according Art. 33 of EU Regulation (EC) 1907/2006 (REACH)	
Date of Declaration	06-09-2023
Primary Article Identifier	4008321905826 4008321130143 4008321644107
Declaration No. in SCIP database	In work

Product datasheet

Safety advice

To prevent personal injury or damage to property, halogen lamps may only be operated in suitable luminaires designed with suitable mechanisms (cover panel etc.) to ensure that in the event of a lamp bursting no parts/shards can escape and that during operation no ultraviolet radiation can escape. Because of the heat produced only heat-resistant lamp connections (holders) may be used. Do not operate near people, or any materials that are flammable, sensitive to heat or affected by drying out. Detailed information is available on request.

Disclaimer

Subject to change without notice. Errors and omission excepted. Always make sure to use the most recent release.