

# Product family datasheet

## PARATHOM PRO PAR16

Dimmable LED reflector lamps PAR16 with retrofit pin base



- Shops and exhibition rooms Domestic applications  
Commercial applications Accent lighting Outdoor use in  
outdoor luminaires only (minimum IP65)

- Quick, simple and safe replacement without rewiring Design, dimensions, luminous flux comparable to an incandescent or halogen lamp Low maintenance costs thanks to long lifetime No UV and near-IR radiation in the light beam Stepless dimming Very high dimmer compatibility, see also "[www.ledvance.com/dim](http://www.ledvance.com/dim)" Instant 100 % light, no warm-up time



## Product family datasheet

### Technical data

Product description	Electrical data						
	Rated wattage	Nominal wattage	Nominal voltage	Claimed equiv. conventional lamp power	Operating frequency	Max. lamp no. on circuit break. 10 A (B)	Max. lamp no. on circuit break. 16 A (B)
PP PAR16 3.7 W/927 GU10	3.70 W	3.70 W	220...240 V	35 W	50...60 Hz	210	336
PP PAR16 3.7 W/930 GU10				35 W	50...60 Hz		
PP PAR16 6 W/927 GU10				50 W	50/60 Hz		
PP PAR16 6 W/930 GU10	6.00 W	6.00 W	220...240 V	50 W	50/60 Hz	231	370
PP PAR16 9.5 W/930 GU10				80 W	50/60 Hz		

Product description	Nominal current	Photometrical data					
		Luminous intensity	Nominal luminous flux	Rated luminous flux	Rated color temperature	Color rendering index Ra	Light color (designation)
PP PAR16 3.7 W/927 GU10	0.021 A	490 cd	230 lm	230 lm	2700 K	97	Warm White
PP PAR16 3.7 W/930 GU10	21 mA	690 cd					Warm White
PP PAR16 6 W/927 GU10	34 mA	630 cd					Warm White
PP PAR16 6 W/930 GU10	0.034 A	700 cd	350 lm	350 lm	3000 K	97	Warm White
PP PAR16 9.5 W/930 GU10	52 mA	840 cd					Warm White

Product description	Standard deviation of color matching	Color temperature	Lumen main.fact.at end of nom.life time	Light technical data		Dimensions & weight	
				Beam angle	Starting time	Overall length	Diameter
PP PAR16 3.7 W/927 GU10	≤3 sdcM	2700 K	0.70	36 °	< 0.5 s	55.0 mm	51.0 mm
PP PAR16 3.7 W/930 GU10				36 °		55.00 mm	
PP PAR16 6 W/927 GU10				36 °		52.00 mm	
PP PAR16 6 W/930 GU10	≤3 sdcM	3000 K	0.70	36 °	< 0.5 s	52.0 mm	50.0 mm
PP PAR16 9.5 W/930 GU10				36 °		52.00 mm	

## Product family datasheet

Product description	Outer bulb	Length	Product weight	Temperatures & operating conditions	Lifespan		
				Ambient temperature range	Nominal lamp life time	Rated lamp life time	Number of switching cycles
PP PAR16 3.7 W/927 GU10	PAR51	55.0 mm	48.00 g	-20...+40 °C	40000 h	40000 h	1000000
PP PAR16 3.7 W/930 GU10			48.00 g	-20...+40 °C			
PP PAR16 6 W/927 GU10			40.00 g	-20...+40 °C			
PP PAR16 6 W/930 GU10	PAR51	52.0 mm	40.00 g	-20...+40 °C	40000 h	40000 h	100000
PP PAR16 9.5 W/930 GU10			58.00 g	-20...+40 °C			

Product description	Lumen maintenance at end of service life	Additional product data				Product remark	Predecessor EAN	Capabilities
		Base (standard designation)	Mercury-free	Successor EAN	Dimmable			
PP PAR16 3.7 W/927 GU10	0.70	GU10	Yes	4058075608399	All technical parameters apply to the entire lamp/Due to the complex production process for light-emitting diodes, the typical values shown for the technical LED parameters are purely statistical values that do not necessarily match the actual technical parameters of each individual product, which can vary from the typical value	4058075260016	Yes	

## Product family datasheet

Product description	Lumen maintenance at end of service life	Additional product data					Capabilities
		Base (standard designation)	Mercury-free	Successor EAN	Product remark	Predecessor EAN	Dimmable
PP PAR16 3.7 W/930 GU10	0.7		Yes		All technical parameters apply to the entire lamp   Due to the complex production process for light-emitting diodes, the typical values shown for the technical LED parameters are purely statistical values that do not necessarily match the actual technical parameters of each individual product, which can vary from the typical value		

## Product family datasheet

Product description	Lumen maintenance at end of service life	Additional product data					Capabilities
		Base (standard designation)	Mercury-free	Successor EAN	Product remark	Predecessor EAN	Dimmable
PP PAR16 6 W/927 GU10	0.7		Yes	4058075608450	All technical parameters apply to the entire lamp   Due to the complex production process for light-emitting diodes, the typical values shown for the technical LED parameters are purely statistical values that do not necessarily match the actual technical parameters of each individual product, which can vary from the typical value	4058075095427, 4058075448728	

## Product family datasheet

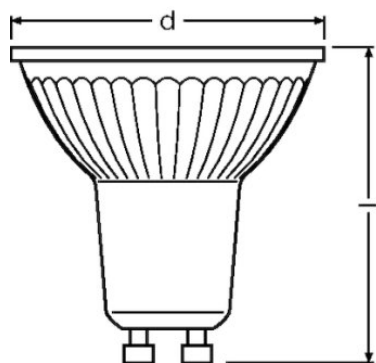
Product description	Lumen maintenance at end of service life	Additional product data					Capabilities
		Base (standard designation)	Mercury-free	Successor EAN	Product remark	Predecessor EAN	Dimmable
PP PAR16 6 W/930 GU10	0.70	GU10	Yes	4058075608436	All technical parameters apply to the entire lamp/Due to the complex production process for light-emitting diodes, the typical values shown for the technical LED parameters are purely statistical values that do not necessarily match the actual technical parameters of each individual product, which can vary from the typical value	4058075095403, 4058075448704	Yes

PP PAR16 9.5 W/930 GU10	0.7			4058075608931		4058075449084	
-------------------------	-----	--	--	---------------	--	---------------	--

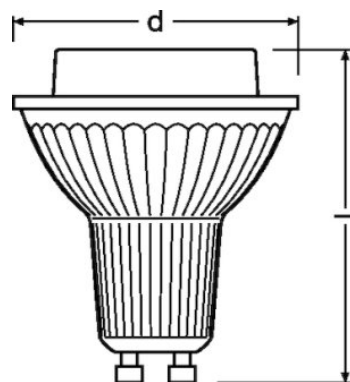
Product description	Certificates & standards			Country specific categorizations	Environmental information Information according Art. 33 of EU Regulation (EC) 1907/2006 (REACH)		
	Type of protection	Energy consumption	Energy efficiency class		Order reference	Date of Declaration	Primary Article Identifier
PP PAR16 3.7 W/927 GU10	IP20	4 kWh/1000h	G	LPPAR16D3536 3,	18-04-2022	4058075260016   4058075608399	In work
PP PAR16 3.7 W/930 GU10		4.00 kWh/1000h	G		18-04-2022	4058075259997   4058075608375	In work
PP PAR16 6 W/927 GU10		7.00 kWh/1000h	G		18-04-2022	4058075448728   4058075608450	In work

## Product family datasheet

Product description	Certificates & standards			Country specific categorizations	Environmental information Information according Art. 33 of EU Regulation (EC) 1907/2006 (REACH)		
	Type of protection	Energy consumption	Energy efficiency class		Order reference	Date of Declaration	Primary Article Identifier
PP PAR16 6 W/930 GU10	IP20	7 kWh/1000h	G	LPPAR16D5036 6W	01-07-2022	4058075448704   4058075608436	In work
PP PAR16 9.5 W/930 GU10		10.00 kWh/1000h	G		18-04-2022	4058075449084   4058075608931	In work



PP PAR16 3.7 W/927 GU10, PP PAR16 3.7 W/930 GU10



PP PAR16 6 W/927 GU10, PP PAR16 6 W/930 GU10, PP PAR16 9.5 W/930 GU10

## Product family datasheet

### Application advice

For more detailed application information and graphics please see product datasheet.

### Ecodesign regulation information:

Separate control gear and light sources must be disposed of at certified disposal companies in accordance with Directive 2012/19/EU (WEEE) in the EU and with Waste Electrical and Electronic Equipment (WEEE) Regulations 2013 in the UK. For this purpose, collection points for recycling centres and take-back systems (CRSO) are available from retailers or private disposal companies, which accept separate control gear and light sources free of charge. In this way, raw materials are conserved and materials are recycled.

### Logistical Data

Product code	Product description	Packaging unit (Pieces/Unit)	Dimensions (length x width x height)	Volume	Gross weight
4058075608399	PP PAR16 3.7 W/927 GU10	Shipping carton box 10	257 mm x 110 mm x 70 mm	1.98 dm <sup>3</sup>	598.00 g
4058075259997	PP PAR16 3.7 W/930 GU10	Shipping carton box 10	257 mm x 110 mm x 70 mm	1.98 dm <sup>3</sup>	595.00 g
4058075608375	PP PAR16 3.7 W/930 GU10	Shipping carton box 10	257 mm x 110 mm x 70 mm	1.98 dm <sup>3</sup>	598.00 g
4058075608450	PP PAR16 6 W/927 GU10	Shipping carton box 10	255 mm x 107 mm x 72 mm	1.96 dm <sup>3</sup>	523.00 g
4058075608436	PP PAR16 6 W/930 GU10	Shipping carton box 10	255 mm x 107 mm x 72 mm	1.96 dm <sup>3</sup>	523.00 g
4058075608931	PP PAR16 9.5 W/930 GU10	Shipping carton box 10	255 mm x 107 mm x 72 mm	1.96 dm <sup>3</sup>	700.00 g



## Product family datasheet

---

### Logistical Data

The mentioned product code describes the smallest quantity unit which can be ordered. One shipping unit can contain one or more single products. When placing an order, for the quantity please enter single or multiples of a shipping unit.

---

### References / Links

For dimming conformity see

- ▶ [www.osram.com/DIM](http://www.osram.com/DIM)

For further products and actual information concerning LED lamps see

- ▶ [www.osram.com/ledlamps](http://www.osram.com/ledlamps)

— For Guarantee see [https://](https://www.inventronics-light.com/multilevel-guarantees)

- ▶ [www.inventronics-light.com/multilevel-guarantees](https://www.inventronics-light.com/multilevel-guarantees)

---

### Disclaimer

Subject to change without notice. Errors and omission excepted. Always make sure to use the most recent release.

OSRAM is distribution partner  
of LEDVANCE of LAMPS

**OSRAM**

OSRAM GmbH  
Marcel-Breuer-Strasse 6  
80807 Munich, Germany