

XENARC ORIGINAL D4R

Four-year guarantee



The original spare parts with four-year guarantee

XENARC ORIGINAL lamps impress with a wide product range and the reliable OEM quality. Successfully used in millions of new automobiles from renowned manufacturers, whether as standard initial equipment or original spare parts. With up to 4,500 Kelvin color temperature, their light is closer to natural daylight than conventional halogen light with 3,200 Kelvin – and is thus more pleasant for the eyes. Thanks to the impressive intensity of the light, the lamps provide better visibility on the road. The durable lamps function as original spare parts of your vehicle and convince with their long lifetime. OSRAM provides a 4-year-guarantee for XENARC ORIGINAL lamps. Please note: XENARC lamp change is recommended to be carried out by a professional.

Product datasheet

Technical data

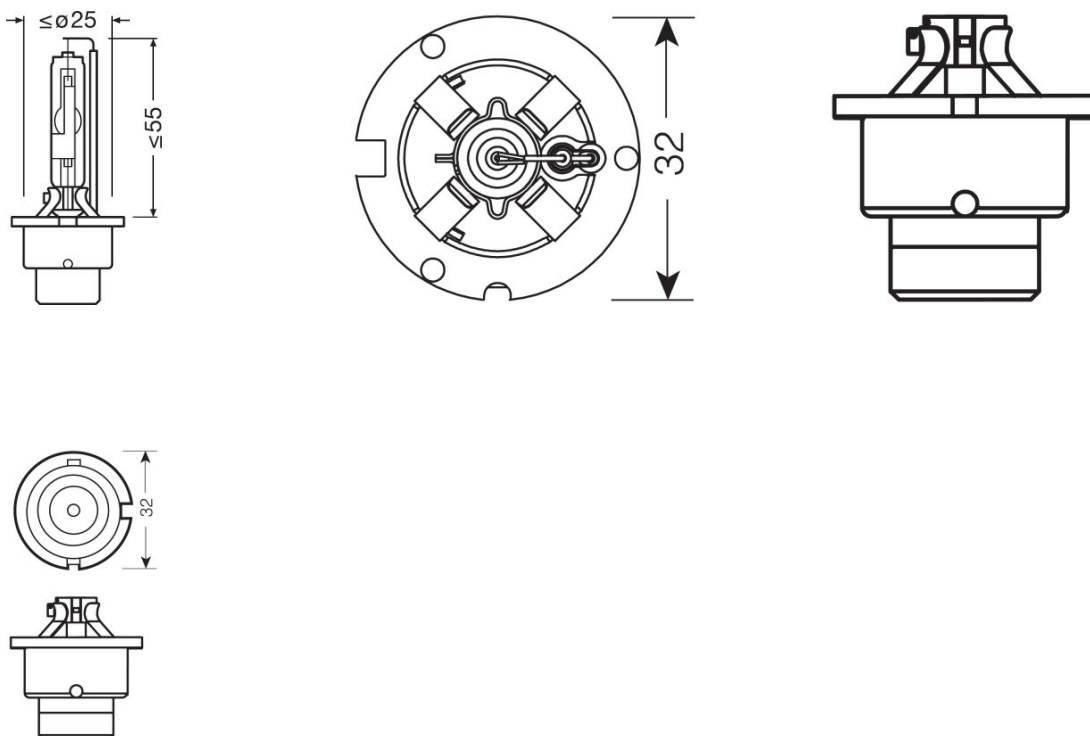
Electrical data

Power input	35 W
Nominal voltage	42.0 V
Nominal wattage	35.00 W
Test voltage	13.5 V
Power input tolerance	±3 %

Photometrical data

Luminous flux	2800 lm
Luminous flux tolerance	±16 %
Color temperature	4300 K

Dimensions & weight



Diameter	9 mm
Product weight	19.50 g
Length	79.7 mm

Lifespan

Product datasheet

Lifespan B3	2000 h
Lifespan Tc	3000 h
Guarantee	4 years

Additional product data

Base (standard designation)	P32d-6
-----------------------------	--------

Certificates & standards

ECE category	D4R ¹⁾
Approval marks – approval	E1 approval

¹⁾ To be operated only with approved electronic control gear

Country specific information

Product code	METEL code	SEG-No.	STK-Number	UK Org
4008321349576	OSRA66450	-	-	-

Logistical Data

Product code	Product description	Packaging unit (Pieces/Unit)	Dimensions (length x width x height)	Volume	Gross weight
4008321349576	66450	Folding carton box 1	33 mm x 33 mm x 87 mm	0.09 dm ³	28.57 g
4052899262409	66450	Shipping carton box 4	115 mm x 101 mm x 103 mm	1.20 dm ³	190.00 g
4052899350502	66450	Shipping carton box 48	- x - x -		

The mentioned product code describes the smallest quantity unit which can be ordered. One shipping unit can contain one or more single products. When placing an order, for the quantity please enter single or multiples of a shipping unit.

Safety advice

XENARC lamp change is recommended to be carried out by a professional.

References / Links

Guarantee terms are available at www.osram.com/am-guarantee

Application advice

For more detailed application information and graphics please see product datasheet.

Disclaimer

Subject to change without notice. Errors and omission excepted. Always make sure to use the most recent release.

