

LINEARlight 24 V

– Accessories



Product family features

- LM-2...: Connect system
- LF-LTS-2100: Slim track system
- LF-LTS-COVER-CLEAR: Clear cover
- LF-LTS-COVER-DIFF: Diffuse cover
- OP: Optics
- LF-LTS-MB: Mounting bracket
- LF-LTS-ENDCAP: Endcap

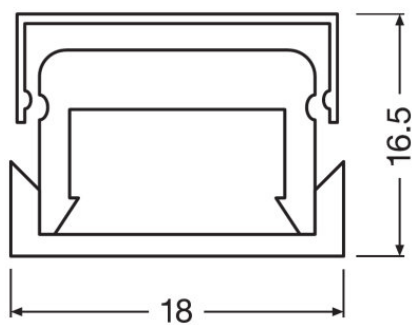
Product family datasheet

Technical data

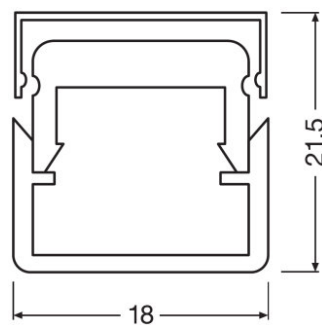
Product description	Dimensions & weight	Logistical data	Environmental information	
	Product weight	Commodity code	Date of Declaration	Primary Article Identifier
LF-LTS -2100	227.00 g	940599009000	11-01-2022	4008321978981
LF-LTS -COVER-CLEAR	155.00 g	940592009000	11-01-2022	4008321790187
LF-LTS -COVER-DIFF	230.00 g	940592009000	11-01-2022	4008321979001
LF-LTS -MB	4.00 g	392690979000	30-12-2021	4008321979025
LF-LTS -ENDCAP	1.33 g	392690979000	11-01-2022	4052899387591 4008321979049

Product description	Candidate List Substance 1	CAS No. of substance 1	Declaration No. in SCIP database
LF-LTS -2100	No declarable substances contained	No CAS	No declarable substances contained
LF-LTS -COVER-CLEAR	No declarable substances contained	No CAS	No declarable substances contained
LF-LTS -COVER-DIFF	No declarable substances contained	No CAS	No declarable substances contained
LF-LTS -MB	No declarable substances contained	No CAS	No declarable substances contained
LF-LTS -ENDCAP	No declarable substances contained	No CAS	No declarable substances contained

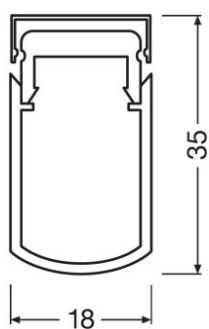
Product family datasheet



LF-LTS profile + cover C + bracket



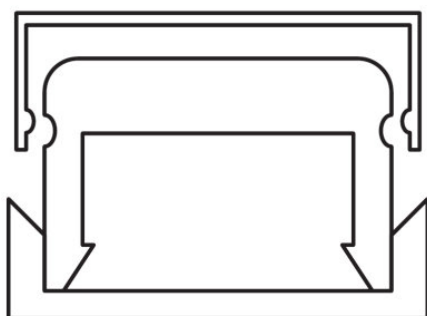
LF-LTS profile + cover S + bracket



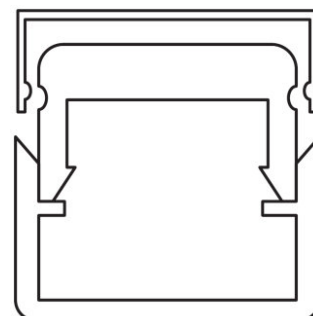
LF-LTS profile + cover D + bracket



339707_LF-LTS-2100 LINEARlight Slim Track

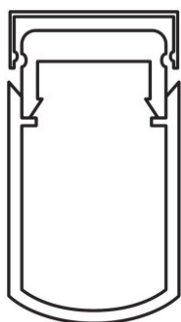


LF-LTS profile + cover C + bracket

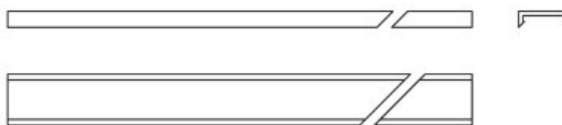


LF-LTS profile + cover S + bracket

Product family datasheet



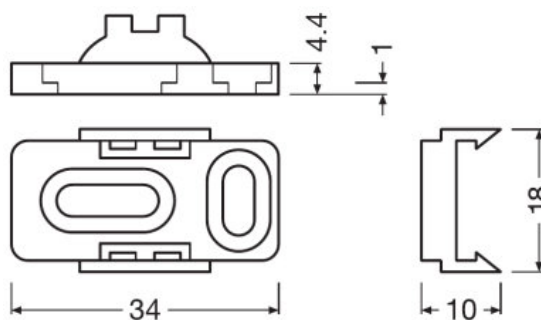
LF-LTS profile + cover D + bracket



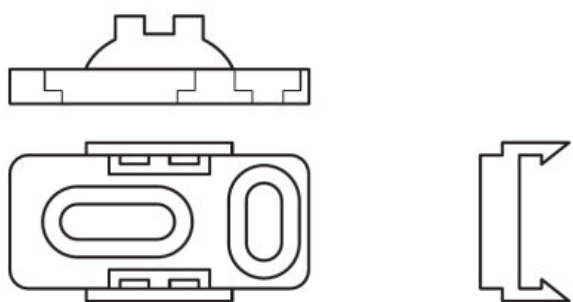
339711_LF-LTS Cover Clear



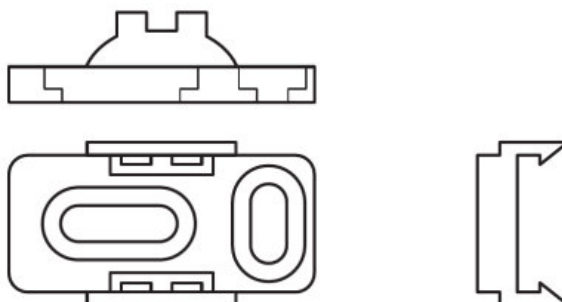
339699_LF-LTS-Cover-Diffuse



LF-LTS-MB Line Drawing

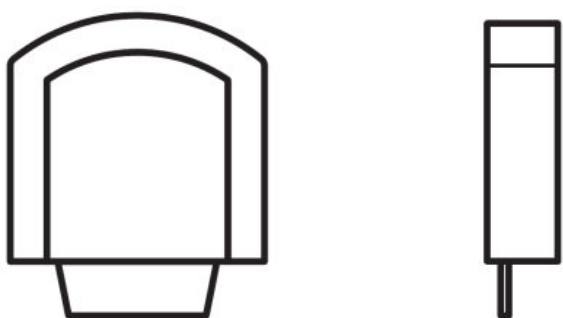


LF-LTS-MB Line Drawing



LF-LTS-MB Line Drawing

Product family datasheet



339689_LINEARlight Slim Track Endcaps

Application advice

For more detailed application information and graphics please see product datasheet.

Sales and Technical Support

Sales and Technical Support www.osram.com





Country specific information

Product description	Product code	METEL-Code	SEG-No.	STK number	UK Org
LF-LTS -2100	4008321978981	-	-	4107786	-
LF-LTS -2100	4008321978981	-	-	4107786	-
LF-LTS -2100	4052899465336	-	-	4107786	-
LF-LTS -COVER-CLEAR	4008321790187	-	-	4107794	-
LF-LTS -COVER-CLEAR	4008321790187	-	-	4107794	-
LF-LTS -COVER-DIFF	4008321979001	-	-	4107788	-
LF-LTS -COVER-DIFF	4008321979001	-	-	4107788	-
LF-LTS -MB	4008321979025	-	-	4107792	-
LF-LTS -MB	4008321790163	-	-	4107792	-
LF-LTS -MB	4008321979025	-	-	4107792	-

Download Data

File

Product family datasheet

	Product Family Datasheet 349066_LINEARLIGHT FLEX SLIM TRACK SYSTEM - LF-LTS
	Eulumdat Eulumdat_LF LTS-2100_Clear
	Eulumdat Eulumdat_LF LTS-2100_Diffusive
	Eulumdat Eulumdat_LF LTS-2100_Opal

Logistical Data

Product code	Product description	Packaging unit (Pieces/Unit)	Dimensions (length x width x height)	Volume	Gross weight
4008321978981	LF-LTS -2100	Shipping carton box 40	2105 mm x 60 mm x 100 mm	12.63 dm ³	9530.00 g
4008321790187	LF-LTS -COVER-CLEAR	Shipping carton box 40	2110 mm x 105 mm x 40 mm	8.86 dm ³	6546.00 g
4008321979001	LF-LTS -COVER-DIFF	Shipping carton box 40	2110 mm x 160 mm x 80 mm	27.01 dm ³	9824.00 g
4008321979025	LF-LTS -MB	Shipping carton box 280	195 mm x 100 mm x 150 mm	2.93 dm ³	634.00 g
4052899387591	LF-LTS -ENDCAP	Shipping carton box 160	225 mm x 185 mm x 115 mm	4.79 dm ³	363.00 g

The mentioned product code describes the smallest quantity unit which can be ordered. One shipping unit can contain one or more single products. When placing an order, for the quantity please enter single or multiples of a shipping unit.

Accessories Mandatory

Product description	Accessory name	Accessory code
LF-LTS -2100	LF-LTS -MB	▶ 4008321979025
LF-LTS -COVER-DIFF	LF-LTS -ENDCAP	▶ 4052899387591

Accessories Optional

Product description	Accessory name	Accessory code
LF-LTS -2100	LF-LTS -COVER-DIFF	▶ 4008321979001
LF-LTS -2100	LF-LTS -COVER-SHORTPITCH	▶ 4008321790200
LF-LTS -2100	LF-LTS -COVER-CLEAR	▶ 4008321790187

Product family datasheet

Disclaimer

Subject to change without notice. Errors and omission excepted. Always make sure to use the most recent release.