

LF-LTS -2100

LINEARlight 24 V | – Accessories



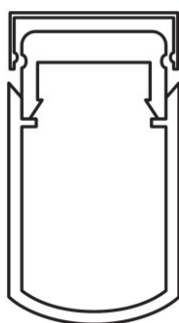
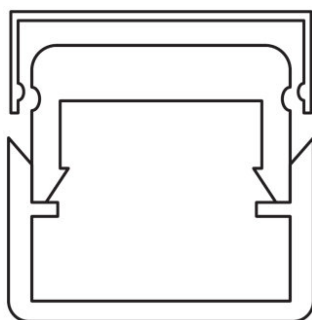
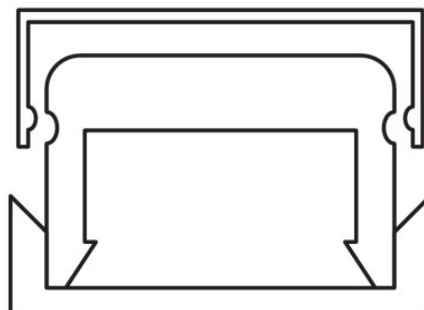
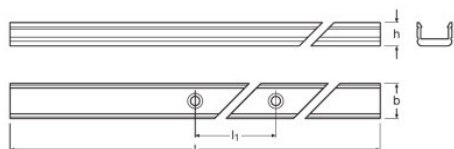
Product family features

- LM-2...: Connect system
- LF-LTS-2100: Slim track system
- LF-LTS-COVER-CLEAR: Clear cover
- LF-LTS-COVER-DIFF: Diffuse cover
- OP: Optics
- LF-LTS-MB: Mounting bracket
- LF-LTS-ENDCAP: Endcap

Product datasheet

Technical data

Dimensions & weight



Product weight

227.00 g

Logistical data

Commodity code

940599009000

Environmental information





Date of Declaration

11-01-2022

Product datasheet

Primary Article Identifier	4008321978981
Candidate List Substance 1	No declarable substances contained
CAS No. of substance 1	No CAS
Declaration No. in SCIP database	No declarable substances contained

Download Data

File	
	Product Family Datasheet 349066_LINEARLIGHT FLEX SLIM TRACK SYSTEM - LF-LTS
	Eulumdat Eulumdat_LF LTS-2100_Clear
	Eulumdat Eulumdat_LF LTS-2100_Diffusive
	Eulumdat Eulumdat_LF LTS-2100_Opal

Logistical Data

Product code	Product description	Packaging unit (Pieces/Unit)	Dimensions (length x width x height)	Volume	Gross weight
4008321978981	LF-LTS -2100	Shipping carton box 40	2105 mm x 60 mm x 100 mm	12.63 dm ³	9530.00 g

The mentioned product code describes the smallest quantity unit which can be ordered. One shipping unit can contain one or more single products. When placing an order, for the quantity please enter single or multiples of a shipping unit.

Accessories Mandatory

Product description	Accessory name	Accessory code
LF-LTS -2100	LF-LTS -MB	▶ 4008321979025

Accessories Optional

Product description	Accessory name	Accessory code
LF-LTS -2100	LF-LTS -COVER-DIFF	▶ 4008321979001
LF-LTS -2100	LF-LTS -COVER-SHORTPITCH	▶ 4008321790200
LF-LTS -2100	LF-LTS -COVER-CLEAR	▶ 4008321790187

Product datasheet

Disclaimer

Subject to change without notice. Errors and omission excepted. Always make sure to use the most recent release.