

LF-LTS -MB

LINEARlight 24 V | – Accessories



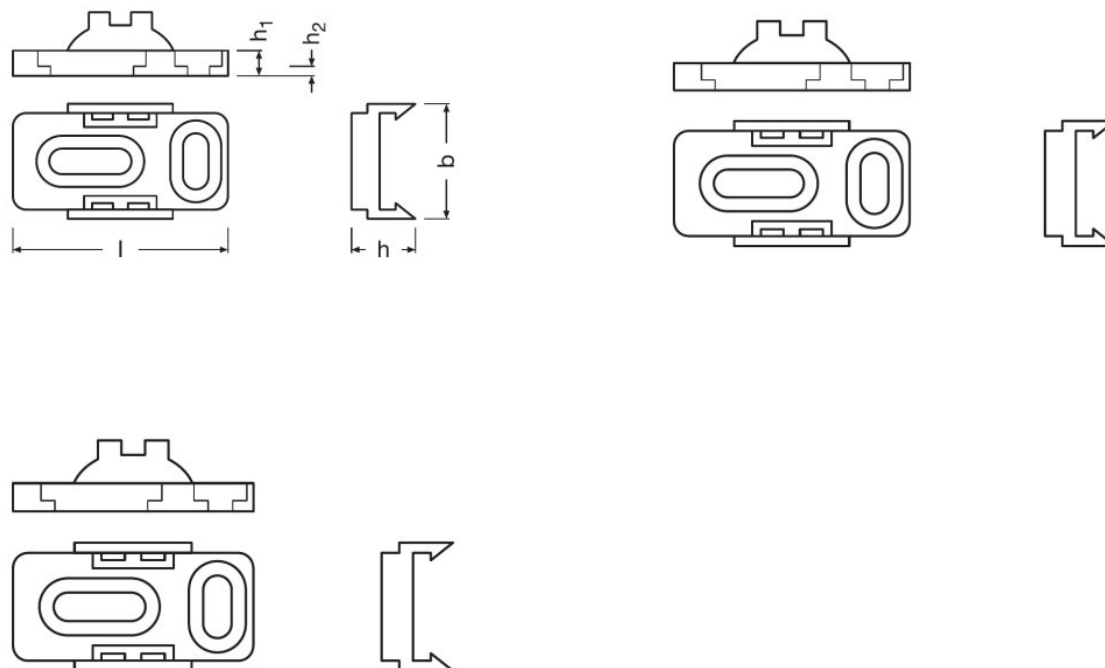
Product family features

- LM-2...: Connect system
- LF-LTS-2100: Slim track system
- LF-LTS-COVER-CLEAR: Clear cover
- LF-LTS-COVER-DIFF: Diffuse cover
- OP: Optics
- LF-LTS-MB: Mounting bracket
- LF-LTS-ENDCAP: Endcap

Product datasheet

Technical data

Dimensions & weight



Product weight

4.00 g

Additional product data

Successor EAN

4052899381018

Logistical data

Commodity code

392690979000

Environmental information

Date of Declaration

30-12-2021

Primary Article Identifier

4008321979025

Candidate List Substance 1

No declarable substances contained

CAS No. of substance 1


No CAS

Declaration No. in SCIP database

No declarable substances contained

Product datasheet

Download Data

File	
	Product Family Datasheet 349066_LINEARLIGHT FLEX SLIM TRACK SYSTEM - LF-LTS

Logistical Data

Product code	Product description	Packaging unit (Pieces/Unit)	Dimensions (length x width x height)	Volume	Gross weight
4008321979025	LF-LTS -MB	Shipping carton box 280	195 mm x 100 mm x 150 mm	2.93 dm ³	634.00 g

The mentioned product code describes the smallest quantity unit which can be ordered. One shipping unit can contain one or more single products. When placing an order, for the quantity please enter single or multiples of a shipping unit.

Disclaimer

Subject to change without notice. Errors and omission excepted. Always make sure to use the most recent release.
