

## OTi DALI DIM 1-4CH D

CV Dimmers with DALI



### Product family features

- Intelligent digital dimmer (DALI) with constant output voltage
- Dimming range: 0...100 %
- Device fits also for special applications where dimming below 1 % is required

### Product family benefits

- Very precise dimming thanks to digital light control

### Areas of application

- Suitable for indoor installations
- Separate installation (ceiling mounting)

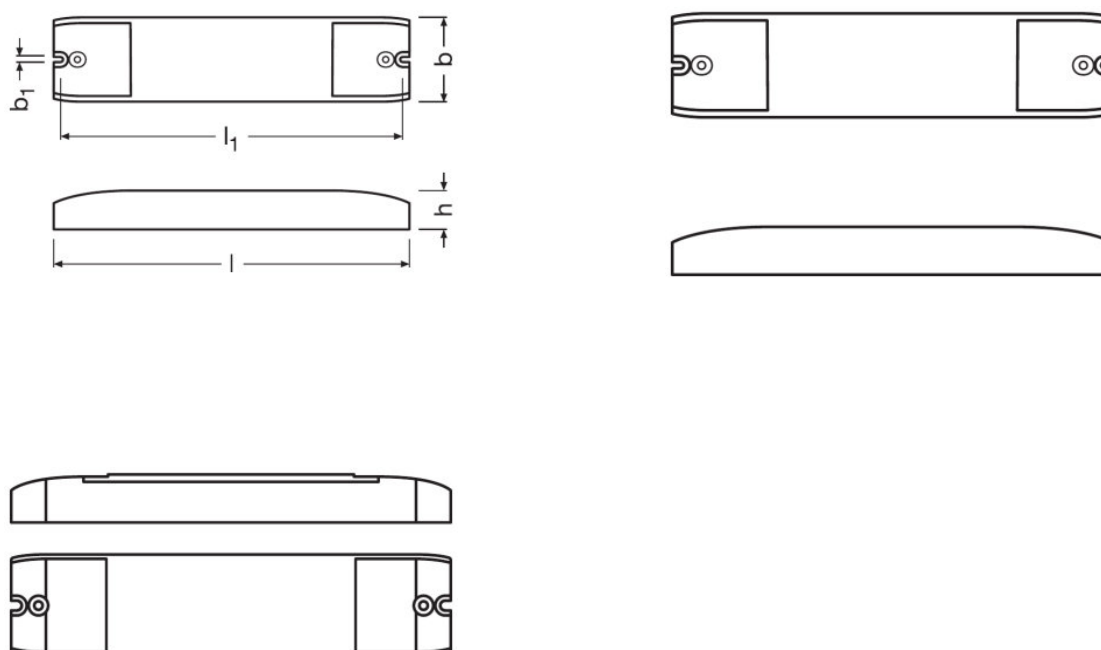
## Product datasheet

### Technical data

#### Electrical data

Nominal input voltage	12...48 V
Mains frequency	0 Hz
Nominal output voltage	12...48 V
Nominal output power	240 W
Galvanic isolation	SELV
Output PWM frequency	3k Hz

#### Dimensions & weight



Mounting hole spacing, length	175.5 mm
Product weight	86.00 g
Cable cross-section, input side	0.5...2.5 mm <sup>2</sup>
Cable cross-section, output side	0.5...2.5 mm <sup>2</sup>
Wire preparation length, input side	5...8 mm
Wire preparation length, output side	5...8 mm
Length	181.0 mm
Width	42.0 mm

## Product datasheet

Height	20.0 mm
--------	---------

### Colors & materials

Casing material	Plastic
-----------------	---------

### Temperatures & operating conditions

Ambient temperature range	-20...+50 °C
Maximum temperature at tc test point	60 °C
Temperature range at storage	-40...+85 °C
Permitted rel. humidity during operation	5...85 % <sup>1)</sup>

<sup>1)</sup> Maximum 56 days/year at 85 %

### Lifespan

ECG lifetime	50000 h
--------------	---------

### Additional product data

Encapsulated	No
--------------	----

### Capabilities

Dimmable	Yes
Dimming interface	DALI-2 / Corridor / Touch DIM
Dimming range	0.1...100 %
Dimming method	PWM
Overheating protection	Automatic reversible
Short-circuit protection	Automatic reversible
No-load proof	Yes
Suitable for fixtures with prot. class	I / II
Type of connection, input side	Screw terminal
Type of connection, output side	Screw terminal
Number of channels	4

### Certificates & standards

Approval marks – approval	CE / EAC / RCM / ENEC 05
Standards	Acc. to EC 61347-2-13/Acc. to EN 62384/Acc. to EN 55015/Acc. to EN 61547
Type of protection	IP20

### Logistical data






Commodity code	853710989900
----------------	--------------

## Product datasheet

### Environmental information

Information according Art. 33 of EU Regulation (EC) 1907/2006 (REACH)	
Date of Declaration	09-05-2022
Primary Article Identifier	4062172166010
Candidate List Substance 1	Lead
CAS No. of substance 1	7439-92-1
Safe Use Instruction	The identification of the Candidate List substance is sufficient to allow safe use of the article.
Declaration No. in SCIP database	527682a0-133f-4748-a541-e5ab01a5909b

### Download Data

File
 User instruction OTi DALI DIM 1 4CH D UI
 Product Datasheet Datasheet-OTI&nbsp;DALI&nbsp;DIM&nbsp;1-4CH&nbsp;D
 Certificates ENEC certificate OTi DALI DIM 1-4CH D
 CAD data 3-dim 3D STEP file
 CAD data 3-dim OTi DALI DIM 1-4CH D _ 3D stp file

### Logistical Data

Product code	Product description	Packaging unit (Pieces/Unit)	Dimensions (length x width x height)	Volume	Gross weight
4062172166010	OTi DALI DIM 1-4CH D	Shipping carton box 20	229 mm x 197 mm x 133 mm	6.00 dm <sup>3</sup>	2088.00 g

The mentioned product code describes the smallest quantity unit which can be ordered. One shipping unit can contain one or more single products. When placing an order, for the quantity please enter single or multiples of a shipping unit.

### Disclaimer

Subject to change without notice. Errors and omission excepted. Always make sure to use the most recent release.