

---

## PRH101-USB

NFC Programming Interfaces



---

### Product family features

- Standard USB interface
- Wireless programming of OPTOTRONIC devices with the NFC interface
- Programming without applying mains voltage to the OPTOTRONIC driver

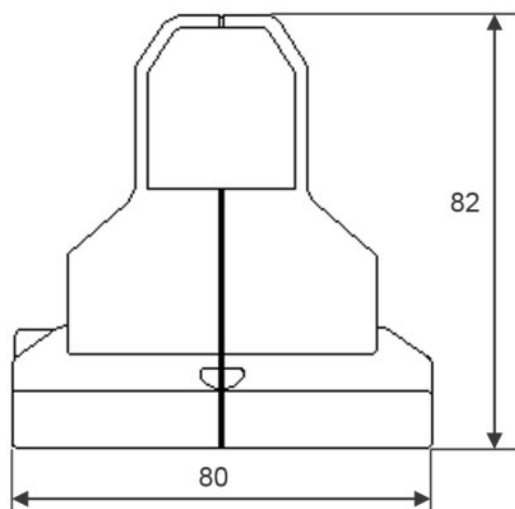
## Product family datasheet

### Technical data

#### Dimensions & weight

Product description	Product weight	Length	Width	Height
PRH101 -USB	506.00 g	208.0 mm	80.0 mm	120.0 mm

#### Product line drawing



PRH101 -USB

#### Logistical data

Product description	Commodity code
PRH101 -USB	847190000000

#### Environmental information Information according Art. 33 of EU Regulation (EC) 1907/2006 (REACH)

Product description	Date of Declaration	Primary Article Identifier	Declaration No. in SCIP database
PRH101 -USB	20-06-2022	4055462165152	In work

## Product family datasheet

---

### Equipment / Accessories

- USB cable for connection to PC with Tuner4TRONIC software
- 

### Application advice

For more detailed application information and graphics please see product datasheet.

---

### Sales and Technical Support

Sales and Technical Support [www.osram.com](http://www.osram.com)

---

### Logistical Data

Product code	Product description	Packaging unit (Pieces/Unit)	Dimensions (length x width x height)	Volume	Gross weight
4055462165152	PRH101 -USB	Shipping carton box 1	151 mm x 150 mm x 116 mm	2.63 dm <sup>3</sup>	581.00 g

---

The mentioned product code describes the smallest quantity unit which can be ordered. One shipping unit can contain one or more single products. When placing an order, for the quantity please enter single or multiples of a shipping unit.

---

### References / Links

Tuner4TRONIC software available at  
▶ [www.osram.com/t4t](http://www.osram.com/t4t)

---

### Disclaimer

Subject to change without notice. Errors and omission excepted. Always make sure to use the most recent release.

---