

# Product family datasheet

## PARATHOM DIM PAR 16

Dimmable LED reflector lamps PAR16 with retrofit pin base



## Product family datasheet

### Technical data

Product description	Electrical data						
	Claimed equiv. conventional lamp power	Operating frequency	Nominal current	Rated wattage	Nominal wattage	Nominal voltage	Max. lamp no. on circuit break. 10 A (B)
P DIM PAR16 3.4 W/927 GU10	35 W	50/60 Hz	26 mA				
P DIM PAR16 4.5 W/927 GU10	50 W	50/60 Hz	27 mA				
P DIM PAR16 4.5 W/930 GU10	50 W	50/60 Hz	27 mA				
P DIM PAR16 8.3 W/927 GU10	80 W	50/60 Hz	46 mA				
P DIM PAR16 8.3 W/930 GU10	80 W	50/60 Hz	0.046 A	8.30 W	8.30 W	220...240 V	167
P DIM PAR16 8.3 W/940 GU10	80 W	50/60 Hz	46 mA				
P DIM PAR16 8.3 W/927 GU10	80 W	50/60 Hz	0.046 A	8.30 W	8.30 W	220...240 V	167
P DIM PAR16 8.3 W/930 GU10	80 W	50/60 Hz	0.046 A	8.30 W	8.30 W	220...240 V	167
P DIM PAR16 8.3 W/940 GU10	80 W	50/60 Hz	46 mA				

Product description	Max. lamp no. on circuit break. 16 A (B)	Photometrical data					Color rendering index Ra
		Luminous intensity	Light color (designation)	Nominal luminous flux	Rated luminous flux	Rated color temperature	
P DIM PAR16 3.4 W/927 GU10		630 cd	Warm White				
P DIM PAR16 4.5 W/927 GU10		690 cd	Warm White				
P DIM PAR16 4.5 W/930 GU10		690 cd	Warm White				
P DIM PAR16 8.3 W/927 GU10		840 cd	Warm White				
P DIM PAR16 8.3 W/930 GU10	267	840 cd	Warm White	550 lm	550 lm	3000 K	90
P DIM PAR16 8.3 W/940 GU10		840 cd	Cool White				
P DIM PAR16 8.3 W/927 GU10	267	560 cd	Warm White	550 lm	550 lm	2700 K	90
P DIM PAR16 8.3 W/930 GU10	267	560 cd	Warm White	550 lm	550 lm	3000 K	90
P DIM PAR16 8.3 W/940 GU10		560 cd	Cool White				

## Product family datasheet

Product description	Standard deviation of color matching	Color temperature	Lumen main.fact.at end of nom.life time	Light technical data		Dimensions & weight	
				Beam angle	Starting time	Overall length	Product weight
P DIM PAR16 3.4 W/927 GU10				36 °		54.00 mm	38.00 g
P DIM PAR16 4.5 W/927 GU10				36 °		54.00 mm	41.00 g
P DIM PAR16 4.5 W/930 GU10				36 °		54.00 mm	48.00 g
P DIM PAR16 8.3 W/927 GU10				36 °		52.00 mm	56.00 g
P DIM PAR16 8.3 W/930 GU10	≤5 sdc	3000 K	0.70	36 °	< 0.5 s	52.0 mm	56.00 g
P DIM PAR16 8.3 W/940 GU10				36 °		52.00 mm	56.00 g
P DIM PAR16 8.3 W/927 GU10	≤5 sdc	2700 K	0.70	60 °	< 0.5 s	52.0 mm	56.00 g
P DIM PAR16 8.3 W/930 GU10	≤5 sdc	3000 K	0.70	60 °	< 0.5 s	52.0 mm	56.00 g
P DIM PAR16 8.3 W/940 GU10				60 °		52.00 mm	56.00 g

Product description	Diameter	Outer bulb	Length	Temperatures & operating conditions	Lifespan		
				Ambient temperature range	Lumen maintenance at end of service life	Nominal lamp life time	Rated lamp life time
P DIM PAR16 3.4 W/927 GU10				-20...+40 °C	0.7		
P DIM PAR16 4.5 W/927 GU10				-20...+40 °C	0.7		
P DIM PAR16 4.5 W/930 GU10				-20...+40 °C	0.7		
P DIM PAR16 8.3 W/927 GU10				-20...+40 °C	0.7		
P DIM PAR16 8.3 W/930 GU10	50.0 mm	PAR51	52.0 mm	-20...+40 °C	0.70	25000 h	25000 h
P DIM PAR16 8.3 W/940 GU10				-20...+40 °C	0.7		
P DIM PAR16 8.3 W/927 GU10	50.0 mm	PAR51	52.0 mm	-20...+40 °C	0.70	25000 h	25000 h
P DIM PAR16 8.3 W/930 GU10	50.0 mm	PAR51	52.0 mm	-20...+40 °C	0.70	25000 h	25000 h
P DIM PAR16 8.3 W/940 GU10				-20...+40 °C	0.7		

## Product family datasheet

Product description	Number of switching cycles	Additional product data					Certificates & standards
		Mercury-free	Product remark	Predecessor EAN	Successor EAN	Base (standard designation)	Energy consumption
P DIM PAR16 3.4 W/927 GU10		Yes	All technical parameters apply to the entire lamp   Due to the complex production process for light-emitting diodes, the typical values shown for the technical LED parameters are purely statistical values that do not necessarily match the actual technical parameters of each individual product, which can vary from the typical value				4.00 kWh/1000h

## Product family datasheet

Product description	Number of switching cycles	Additional product data					Certificates & standards
		Mercury-free	Product remark	Predecessor EAN	Successor EAN	Base (standard designation)	Energy consumption
P DIM PAR16 4.5 W/927 GU10		Yes	All technical parameters apply to the entire lamp   Due to the complex production process for light-emitting diodes, the typical values shown for the technical LED parameters are purely statistical values that do not necessarily match the actual technical parameters of each individual product, which can vary from the typical value				5.00 kWh/1000h

## Product family datasheet

Product description	Number of switching cycles	Additional product data					Certificates & standards
		Mercury-free	Product remark	Predecessor EAN	Successor EAN	Base (standard designation)	Energy consumption
P DIM PAR16 4.5 W/930 GU10		Yes	All technical parameters apply to the entire lamp   Due to the complex production process for light-emitting diodes, the typical values shown for the technical LED parameters are purely statistical values that do not necessarily match the actual technical parameters of each individual product, which can vary from the typical value				5.00 kWh/1000h

## Product family datasheet

Product description	Number of switching cycles	Additional product data					Certificates & standards
		Mercury-free	Product remark	Predecessor EAN	Successor EAN	Base (standard designation)	Energy consumption
P DIM PAR16 8.3 W/927 GU10		Yes	All technical parameters apply to the entire lamp   Due to the complex production process for light-emitting diodes, the typical values shown for the technical LED parameters are purely statistical values that do not necessarily match the actual technical parameters of each individual product, which can vary from the typical value	4058075095489, 4058075449282	4058075609136		9.00 kWh/1000h

## Product family datasheet

Product description	Number of switching cycles	Additional product data					Certificates & standards
		Mercury-free	Product remark	Predecessor EAN	Successor EAN	Base (standard designation)	Energy consumption
P DIM PAR16 8.3 W/930 GU10	100000	Yes	All technical parameters apply to the entire lamp/Due to the complex production process for light-emitting diodes, the typical values shown for the technical LED parameters are purely statistical values that do not necessarily match the actual technical parameters of each individual product, which can vary from the typical value	4058075095465, 4058075449268	4058075609112	GU10	9 kWh/1000h



## Product family datasheet

Product description	Number of switching cycles	Additional product data					Certificates & standards
		Mercury-free	Product remark	Predecessor EAN	Successor EAN	Base (standard designation)	Energy consumption
P DIM PAR16 8.3 W/940 GU10		Yes	All technical parameters apply to the entire lamp   Due to the complex production process for light-emitting diodes, the typical values shown for the technical LED parameters are purely statistical values that do not necessarily match the actual technical parameters of each individual product, which can vary from the typical value	4058075095441, 4058075449244	4058075609099		9.00 kWh/1000h

## Product family datasheet

Product description	Number of switching cycles	Additional product data					Certificates & standards
		Mercury-free	Product remark	Predecessor EAN	Successor EAN	Base (standard designation)	Energy consumption
P DIM PAR16 8.3 W/927 GU10	100000	Yes	All technical parameters apply to the entire lamp/Due to the complex production process for light-emitting diodes, the typical values shown for the technical LED parameters are purely statistical values that do not necessarily match the actual technical parameters of each individual product, which can vary from the typical value	4058075449220	4058075609075	GU10	9 kWh/1000h

## Product family datasheet

Product description	Number of switching cycles	Additional product data					Certificates & standards
		Mercury-free	Product remark	Predecessor EAN	Successor EAN	Base (standard designation)	Energy consumption
P DIM PAR16 8.3 W/930 GU10	100000	Yes	All technical parameters apply to the entire lamp/Due to the complex production process for light-emitting diodes, the typical values shown for the technical LED parameters are purely statistical values that do not necessarily match the actual technical parameters of each individual product, which can vary from the typical value	4058075095526, 4058075449206	4058075609037	GU10	9 kWh/1000h

## Product family datasheet

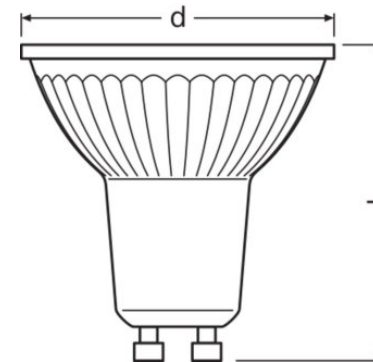
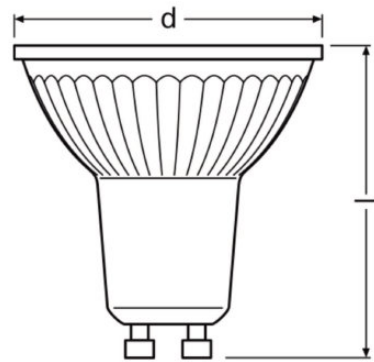
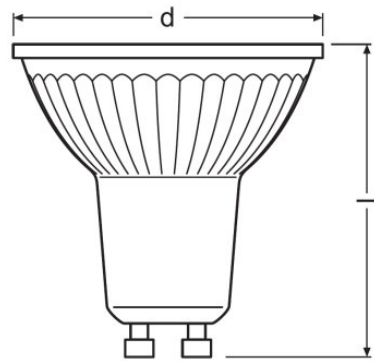
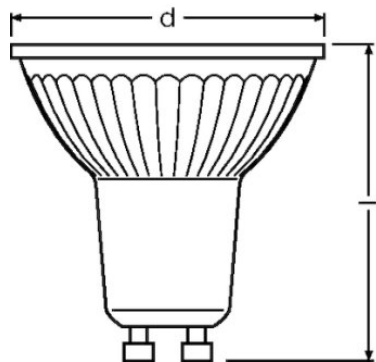
Product description	Number of switching cycles	Additional product data					Certificates & standards
		Mercury-free	Product remark	Predecessor EAN	Successor EAN	Base (standard designation)	Energy consumption
P DIM PAR16 8.3 W/940 GU10		Yes	All technical parameters apply to the entire lamp   Due to the complex production process for light-emitting diodes, the typical values shown for the technical LED parameters are purely statistical values that do not necessarily match the actual technical parameters of each individual product, which can vary from the typical value				9.00 kWh/1000h

Product description	Energy efficiency class	Type of protection	Environmental information Information according Art. 33 of EU Regulation (EC) 1907/2006 (REACH)		
			Date of Declaration	Primary Article Identifier	Declaration No. in SCIP database
P DIM PAR16 3.4 W/927 GU10	G		25-11-2022	4058075259973   4058075797536	In work
P DIM PAR16 4.5 W/927 GU10	F		15-03-2023	4058075608337   4058075797857	In work
P DIM PAR16 4.5 W/930 GU10	F		07-03-2023	4058075608290   4058075797963	In work

## Product family datasheet

			Environmental information Information according Art. 33 of EU Regulation (EC) 1907/2006 (REACH)		
Product description	Energy efficiency class	Type of protection	Date of Declaration	Primary Article Identifier	Declaration No. in SCIP database
P DIM PAR16 8.3 W/927 GU10	G		18-04-2022	4058075449282   4058075609136	In work
P DIM PAR16 8.3 W/930 GU10	G	IP20	01-07-2022	4058075449268   4058075609112	In work
P DIM PAR16 8.3 W/940 GU10	G		18-04-2022	4058075449244   4058075609099	In work
P DIM PAR16 8.3 W/927 GU10	G	IP20	01-07-2022	4058075449220   4058075609075	In work
P DIM PAR16 8.3 W/930 GU10	G	IP20	01-07-2022	4058075449206   4058075609051	In work
P DIM PAR16 8.3 W/940 GU10	G		01-07-2022	4058075449183   4058075609037	In work

## Product family datasheet



P DIM PAR16 3.4 W/927 GU10, P DIM PAR16 8.3 W/927 GU10, P DIM PAR16 8.3 W/930 GU10, P DIM PAR16 8.3 W/940 GU10, P DIM PAR16 8.3 W/927 GU10, P DIM PAR16 8.3 W/930 GU10

P DIM PAR16 4.5 W/927 GU10

P DIM PAR16 4.5 W/930 GU10

P DIM PAR16 8.3 W/940 GU10

### Application advice

For more detailed application information and graphics please see product datasheet.

## Product family datasheet

### Ecodesign regulation information:

Separate control gear and light sources must be disposed of at certified disposal companies in accordance with Directive 2012/19/EU (WEEE) in the EU and with Waste Electrical and Electronic Equipment (WEEE) Regulations 2013 in the UK. For this purpose, collection points for recycling centres and take-back systems (CRSO) are available from retailers or private disposal companies, which accept separate control gear and light sources free of charge. In this way, raw materials are conserved and materials are recycled.

### Logistical Data

Product code	Product description	Packaging unit (Pieces/Unit)	Dimensions (length x width x height)	Volume	Gross weight
4058075797536	P DIM PAR16 3.4 W/927 GU10	Shipping carton box 10	255 mm x 107 mm x 72 mm	1.96 dm <sup>3</sup>	500.00 g
4058075608337	P DIM PAR16 4.5 W/927 GU10	Shipping carton box 10	257 mm x 110 mm x 70 mm	1.98 dm <sup>3</sup>	528.00 g
4058075797857	P DIM PAR16 4.5 W/927 GU10	Shipping carton box 10	255 mm x 107 mm x 72 mm	1.96 dm <sup>3</sup>	500.00 g
4058075608290	P DIM PAR16 4.5 W/930 GU10	Shipping carton box 10	257 mm x 110 mm x 70 mm	1.98 dm <sup>3</sup>	598.00 g
4058075797963	P DIM PAR16 4.5 W/930 GU10	Shipping carton box 10	255 mm x 107 mm x 72 mm	1.96 dm <sup>3</sup>	500.00 g
4058075609136	P DIM PAR16 8.3 W/927 GU10	Shipping carton box 10	255 mm x 107 mm x 72 mm	1.96 dm <sup>3</sup>	683.00 g
4058075609112	P DIM PAR16 8.3 W/930 GU10	Shipping carton box 10	255 mm x 107 mm x 72 mm	1.96 dm <sup>3</sup>	680.00 g
4058075609099	P DIM PAR16 8.3 W/940 GU10	Shipping carton box 10	255 mm x 107 mm x 72 mm	1.96 dm <sup>3</sup>	683.00 g
4058075609075	P DIM PAR16 8.3 W/927 GU10	Shipping carton box 10	255 mm x 107 mm x 72 mm	1.96 dm <sup>3</sup>	680.00 g

## Product family datasheet

---

### Logistical Data

4058075609051	P DIM PAR16 8.3 W/930 GU10	Shipping carton box 10	255 mm x 107 mm x 72 mm	1.96 dm <sup>3</sup>	683.00 g
4058075609037	P DIM PAR16 8.3 W/940 GU10	Shipping carton box 10	255 mm x 107 mm x 72 mm	1.96 dm <sup>3</sup>	683.00 g

The mentioned product code describes the smallest quantity unit which can be ordered. One shipping unit can contain one or more single products. When placing an order, for the quantity please enter single or multiples of a shipping unit.

---

### References / Links

For dimming conformity see

▶ [www.osram.com/DIM](http://www.osram.com/DIM)

For further products and actual information concerning LED lamps see

▶ [www.osram.com/ledlamps](http://www.osram.com/ledlamps)

For Guarantee see [https://](https://www.inventronics-light.com/multilevel-guarantees)

▶ [www.inventronics-light.com/multilevel-guarantees](https://www.inventronics-light.com/multilevel-guarantees)

---

### Disclaimer

Subject to change without notice. Errors and omission excepted. Always make sure to use the most recent release.



OSRAM is distribution partner  
of LEDVANCE of LAMPS

**OSRAM**

OSRAM GmbH  
Marcel-Breuer-Strasse 6  
80807 Munich, Germany