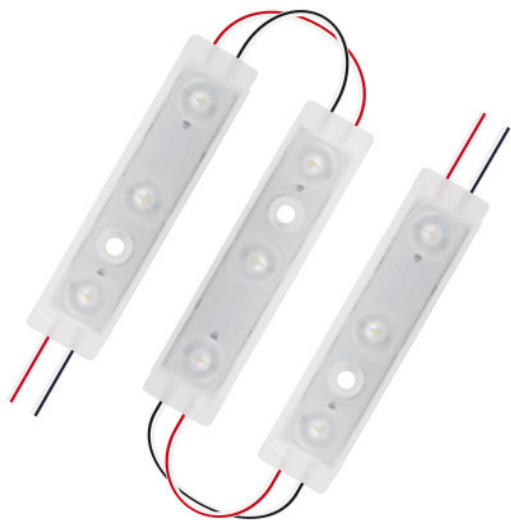


BackLED L Plus G3

LED modules for light advertising and backlighting



Areas of application

- Signage and illuminated advertising
- Backlighting of single and double-sided light boxes
- Permanent outdoor use in enclosed light boxes
- Architectural and decorative applications

Product family benefits

- Uniform illumination at high LED pitches thanks to Square Lens technology
- Click and Play: quick and easy click-in of the LED modules, no tools needed
- High module efficacy: up to 116 lm/W
- Dimming capability: 1...10 V, DALI and DMX methods
- Lifetime (L70/B50): 50,000 h (temperature at $T_c = 75\text{ }^\circ\text{C}$)
- 5 year guarantee

Product family features

- Connected with flexible cables
- Type of protection (modules): IP66/IP68
- Color rendering index R_a : > 80
- Single bin LEDs for all CCTs
- Consistent white light: < 3 SDCM
- CE marked, ENEC certified, UL recognized component



Product family datasheet

Technical data

Electrical data

Product description	Nominal voltage	Nominal wattage per chain	Nominal wattage per LED module	Accidental reverse input voltage protection up to	Input voltage range	Type of current
BA-L-PL 830 G3 ¹⁾	12.0 V	46.00 W	1.31 W	13 V	12...13 V	DC
BA-L-PL 840 G3 ¹⁾	12.0 V	46.00 W	1.31 W	13 V	12...13 V	DC
BA-L-PL 865 G3 ¹⁾	12.0 V	46.00 W	1.31 W	13 V	12...13 V	DC

¹⁾ See product remark

Photometrical data

Product description	Color temperature	Color rendering index Ra	Light color (designation)	Light color LED	Luminous flux per module chain	Luminous flux per LED module
BA-L-PL 830 G3 ¹⁾	3000 K	>80	Warm White	Warm white	5400 lm	150 lm
BA-L-PL 840 G3 ¹⁾	4000 K	>80	Neutral White	Neutral white	5400 lm	150 lm
BA-L-PL 865 G3 ¹⁾	6500 K	>80	Daylight	Cool white	5400 lm	150 lm

Product description	Luminous efficacy	Standard deviation of color matching
BA-L-PL 830 G3 ¹⁾	115 lm/W	≤3 sdcM
BA-L-PL 840 G3 ¹⁾	119 lm/W	≤3 sdcM
BA-L-PL 865 G3 ¹⁾	115 lm/W	≤3 sdcM

¹⁾ See product remark

Light technical data

Product description	Beam angle
BA-L-PL 830 G3 ¹⁾	155 °
BA-L-PL 840 G3 ¹⁾	155 °
BA-L-PL 865 G3 ¹⁾	155 °

¹⁾ See product remark

Product family datasheet

LED module information

Product description	Number of LEDs per module	Number of LED modules per chain	Minimum operable number of LED modules
BA-L-PL 830 G3 ¹⁾	3	36	1
BA-L-PL 840 G3 ¹⁾	3	36	1
BA-L-PL 865 G3 ¹⁾	3	36	1

¹⁾ See product remark

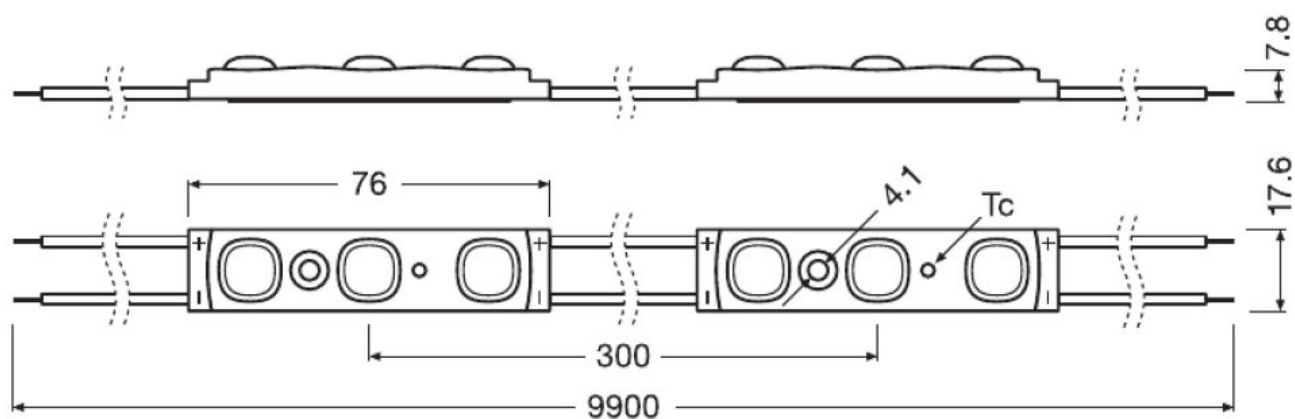
Dimensions & weight

Product description	Length	Width	Height	Product weight
BA-L-PL 830 G3 ¹⁾	76.0 mm	17.6 mm	7.8 mm	604.00 g ²⁾
BA-L-PL 840 G3 ¹⁾	76.0 mm	17.6 mm	7.8 mm	604.00 g ²⁾
BA-L-PL 865 G3 ¹⁾	76.0 mm	17.6 mm	7.8 mm	604.00 g ²⁾

¹⁾ See product remark

²⁾ Per chain

Product line drawing



BA-L-PL 830 G3, BA-L-PL 840 G3, BA-L-PL 865 G3

Product family datasheet

Temperatures & operating conditions

Product description	Temperature range in operation at T _c point	Temperature range at storage
BA-L-PL 830 G3 ¹⁾	-25...75 °C ²⁾	-25...85 °C
BA-L-PL 840 G3 ¹⁾	-25...75 °C ²⁾	-25...85 °C
BA-L-PL 865 G3 ¹⁾	-25...75 °C ²⁾	-25...85 °C

¹⁾ See product remark

²⁾ At the T_c point

Lifespan

Product description	Lifespan
BA-L-PL 830 G3 ¹⁾	50000 h
BA-L-PL 840 G3 ¹⁾	50000 h
BA-L-PL 865 G3 ¹⁾	50000 h

¹⁾ See product remark

Capabilities

Product description	Dimmable	Dimming range
BA-L-PL 830 G3 ¹⁾	Yes	1...100 %
BA-L-PL 840 G3 ¹⁾	Yes	1...100 %
BA-L-PL 865 G3 ¹⁾	Yes	1...100 %

¹⁾ See product remark

Certificates & standards

Product description	Energy consumption	Energy efficiency class	Type of protection
BA-L-PL 830 G3 ¹⁾	2 kWh/1000h	A+	IP66/IP68
BA-L-PL 840 G3 ¹⁾	2 kWh/1000h	A+	IP66/IP68
BA-L-PL 865 G3 ¹⁾	2 kWh/1000h	A+	IP66/IP68

Product description	Standards
BA-L-PL 830 G3 ¹⁾	Acc. to ENEC 10/CE; VDE/EAC/ENEC/UL
BA-L-PL 840 G3 ¹⁾	Acc. to ENEC 10/CE; VDE/EAC/ENEC/UL
BA-L-PL 865 G3 ¹⁾	Acc. to ENEC 10/CE; VDE/EAC/ENEC/UL

¹⁾ See product remark

Product family datasheet

Logistical data

Product description	Commodity code
BA-L-PL 830 G3 ¹⁾	940540399000
BA-L-PL 840 G3 ¹⁾	940540399000
BA-L-PL 865 G3 ¹⁾	940540399000

¹⁾ See product remark

Product remark

Modules perfectly matched to OSRAM OPTOTRONIC LED drivers (see relevant table)/For current photometric data and important safety, installation and application information (see www.osram.com/led-systems)./All the technical parameters apply to the entire module. In view of the complex manufacturing process for light emitting diodes, the typical values given above for the technical LED parameters are merely statistical values that do not necessarily correspond to the actual technical parameters of an individual product; individual products may vary from the typical values./In development, data preliminary

Equipment / Accessories

- Mounting profile BA-MP
- Several types of OPTOTRONIC 12 V LED drivers available




Application advice

For more detailed application information and graphics please see product datasheet.

Sales and Technical Support

Sales and Technical Support www.osram.com

Download Data

File
 User instruction BackLED L M S Plus
 Declarations of conformity EU Declaration of Conformity 3661657
 Eulumdat Eulumdat file BA-L-PL G3

Logistical Data

Product family datasheet

Product code	Product description	Packaging unit (Pieces/Unit)	Dimensions (length x width x height)	Volume	Gross weight
4052899990463	BA-L-PL 830 G3	Shipping carton box 5	438 mm x 284 mm x 198 mm	24.63 dm ³	5185.00 g
4052899990449	BA-L-PL 840 G3	Shipping carton box 5	438 mm x 284 mm x 198 mm	24.63 dm ³	5185.00 g
4052899990425	BA-L-PL 865 G3	Shipping carton box 5	438 mm x 284 mm x 198 mm	24.63 dm ³	5185.00 g

The mentioned product code describes the smallest quantity unit which can be ordered. One shipping unit can contain one or more single products. When placing an order, for the quantity please enter single or multiples of a shipping unit.

Accessories Optional

Product description	Accessory name	Accessory code
BA-L-PL 830 G3	BA -MP	▶ 4052899145863
BA-L-PL 840 G3	BA -MP	▶ 4052899145863
BA-L-PL 865 G3	BA -MP	▶ 4052899145863

References / Links

- For more information on the multi-level guarantee and the terms and conditions of the guarantee visit
▶ www.osram.com/system-guarantee

Disclaimer

Subject to change without notice. Errors and omission excepted. Always make sure to use the most recent release.