

PL-CORE-G7 3000-S65 L15 H1

PrevaLED Core G7 Food | Spot-, Down- and Wallmount Light Engines and Modules



Product family features

- Complete portfolio with varying luminous flux, color temperature, color rendering
- Lifetime (L80/B10): 60,000 h (temperature at $T_p = 65\text{ °C}$)
- LED module is basic isolated to mounting surface
- Photobiological safety according to IEC/TR 62778, risk group RG1
- Max. working voltage: 60 V (to be operated only on SELV LED control gear)

Product family benefits

- Easy integration thanks to very compact form factor
- Easy cooling due to optimized efficiency and high maximum operation temperature
- High driver flexibility allows cost-effective and intelligent systems
- 5 year guarantee

Areas of application

- Excellent light for FOOD applications
- Spotlighting in shops and retail
- Down- and wall lighting in offices, corridors, meeting rooms, workplaces
- Decorative and functional lighting in hospitality, hotels, restaurants
- Functional lighting in public and commercial buildings



Product datasheet

Technical data

Electrical data

| | |
|-------------------------------|----------------|
| Nominal voltage | 34.8 V |
| Type of current | DC |
| Nominal current | 0.55 A |
| On-mode power | 18.7 W |
| Energy consumption in on-mode | 18.7 kWh/1000h |

Photometrical data

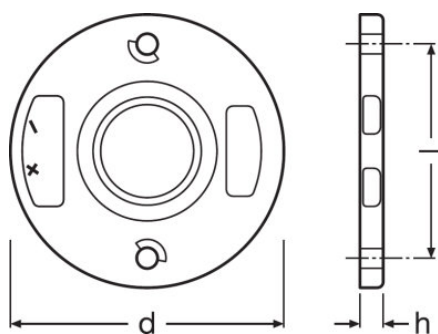
| | |
|---------------------------------------|-----------------------|
| Luminous efficacy | 158 lm/W |
| Color rendering index Ra | 80 |
| Light color (designation) | Daylight White |
| Correlated color temperature CCT | 6500 K |
| Peak luminous intensity | 990 |
| Colour consistency (McAdam ellipses) | 3 |
| Useful luminous flux (Φ_{use}) | 2268 lm ¹⁾ |

¹⁾ 120°

Light technical data

| | |
|---------------------|--------|
| Starting time | 0.0 s |
| Warm-up time (60 %) | 0.00 s |

Dimensions & weight



| | |
|----------------|---------|
| Product weight | 6.00 g |
| Height | 3 mm |
| Length | 44 mm |
| Width | 44 mm |
| Diameter | 44.0 mm |

Product datasheet

Temperatures & operating conditions

| | |
|--------------------------------------|--------------|
| Performance temp. acc. to IEC 62717 | 65 °C |
| Maximum temperature at tc test point | 100 °C |
| Ambient temperature range | -20...+50 °C |
| Temperature range at storage | -20...60 °C |

Lifespan

| | |
|------------------------------|---------|
| Number of switching cycles | 100000 |
| Lumen maintenance factor LMF | 96 |
| L70B50 lifetime | 60000 h |

Additional product data

| | |
|--------------------------|-------------------------------------------------------------------------------------------------------------------------------------------------------------------------------------------------------------------------------------------------------------------------------------------------------------------------------------------------------------------------------------------------------------------------------------------------------------------------------------------------------------------------------------------------------------------------------------------------------------------------------------------------------------------------------------------------------------------------------------------------------------------|
| Product remark | Modules perfectly matched to OSRAM OPTOTRONIC LED drivers (see relevant table)/For current photometric data and important safety, installation and application information (see www.osram.com/led-systems)/All the technical parameters apply to the entire module. In view of the complex manufacturing process for light emitting diodes, the typical values given above for the technical LED parameters are merely statistical values that do not necessarily correspond to the actual technical parameters of an individual product; individual products may vary from the typical values/Tolerance for optical and electrical data: +/-10%/OSRAM is not liable for errors in luminaires design and assembly |
| Lighting technology used | LED |

Certificates & standards

| | |
|-------------------------|---------|
| Standards | CE/ENEC |
| Type of protection | IP20 |
| Energy efficiency class | E |

Logistical data



| | |
|----------------|--------------|
| Commodity code | 854141000000 |
|----------------|--------------|

Environmental information

| | |
|------------------------------------------------------------------------------|------------------------------------|
| Information according Art. 33 of EU Regulation (EC) 1907/2006 (REACH) | |
| Date of Declaration | 18-04-2022 |
| Primary Article Identifier | 4052899576667 |
| Candidate List Substance 1 | No declarable substances contained |
| Declaration No. in SCIP database | No declarable substances contained |

Product datasheet

Download Data

| File | |
|-----------------------------------------------------------------------------------|----------------------------------------------------------|
|  | Addon Technical Information PrevaLED Core G7 Overview |
|  | Certificates ENEC Certificate PL CORE G7 |

Ecodesign regulation information:

Separate control gear and light sources must be disposed of at certified disposal companies in accordance with Directive 2012/19/EU (WEEE) in the EU and with Waste Electrical and Electronic Equipment (WEEE) Regulations 2013 in the UK. For this purpose, collection points for recycling centres and take-back systems (CRSO) are available from retailers or private disposal companies, which accept separate control gear and light sources free of charge. In this way, raw materials are conserved and materials are recycled.

Logistical Data

| Product code | Product description | Packaging unit (Pieces/Unit) | Dimensions (length x width x height) | Volume | Gross weight |
|---------------|-------------------------------|------------------------------|--------------------------------------|----------------------|--------------|
| 4052899576667 | PL-CORE-G7 3000-S65 L15 H1 | Shipping carton box 40 | 375 mm x 263 mm x 38 mm | 3.75 dm ³ | 807.00 g |

The mentioned product code describes the smallest quantity unit which can be ordered. One shipping unit can contain one or more single products. When placing an order, for the quantity please enter single or multiples of a shipping unit.

References / Links

For Guarantee see

- ▶ www.osram.com/guarantee

Disclaimer

Subject to change without notice. Errors and omission excepted. Always make sure to use the most recent release.