

DALI PS 100 LI

DALI PS 100 LI | Accessories



Product family features

- DALI Bus power supply up to 100 mA
- Supply voltage: 220...240 V
- Short-circuit, overload and overtemperature protection
- Push terminals for easy wiring
- Compact size: 108 x 30 x 21 mm

Product family benefits

- Suitable for small standalone DALI installations
- Enable dimmable retrofit for drop ceiling applications
- Suitable to power DEXAL sensor and RF modules
- Suitable for applications, where no DEXAL driver is available
- Suitable for DC operation 176...276 V

Product datasheet

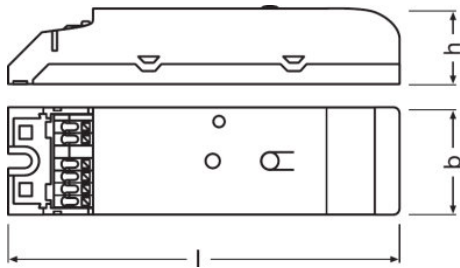
Technical data

Electrical data

Nominal voltage	220...240 V
Mains frequency	50/60 Hz
System wattage	3.00 W
Input voltage DC	176...276 V
Input voltage AC	198...264 V
Guaranteed supply current (DALI)	100 mA ¹⁾
No-load power consumption	0.1 W
Maximum supply current (DALI)	250 mA ¹⁾
Max. ECG no. on circuit breaker 6 A (B)	44

¹⁾ see product remarks

Dimensions & weight



Length	108.0 mm
Width	30.0 mm
Height	21.0 mm
Product weight	41.00 g
Wire preparation length, output side	8.0...9.0 mm
Wire preparation length, input side	8.0...9.0 mm
Cable cross-section, output side	0.5...1.5 mm ² ¹⁾
Cable cross-section, input side	0.5...1.5 mm ² ¹⁾

¹⁾ Flexible / Solid leads

Temperatures & operating conditions

Ambient temperature range	-30...+60 °C
Max.housing temperature in case of fault	100 °C
Maximum temperature at tc test point	70 °C

Product datasheet

Temperature range at storage	-25...80 °C
------------------------------	-------------

Lifespan

Lifespan	50000 h ¹⁾
----------	-----------------------

¹⁾ Max. 10% failure rate at tc max and input voltage 230 V AC

Additional product data

Product remark	This DALI Bus power Supply is not allowed to be connected with other DALI Bus power supplies on the same line.
----------------	--

Capabilities

Dimmable	No
Dimming interface	DALI ¹⁾
Type of installation	Luminaire integration/Independent mounting ²⁾

¹⁾ Basic Insulation

²⁾ independent installation via ECO CI KIT possible

Certificates & standards

Type of protection	IP20
Approval marks – approval	CE / DALI-2
Standards	Acc. to IEC 61347-1 / Acc. to IEC 61547 / Acc. to IEC 55015 / Acc. to IEC 61000-3-2 / Acc. to IEC 61000-3-3 / Acc. to IEC 62386-101:Ed2 / Acc. to IEC 61347-2-11

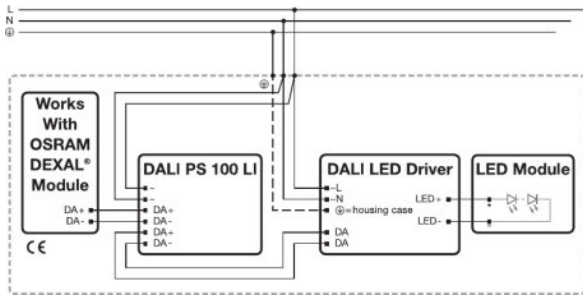
Logistical data

Commodity code	85371098990
----------------	-------------

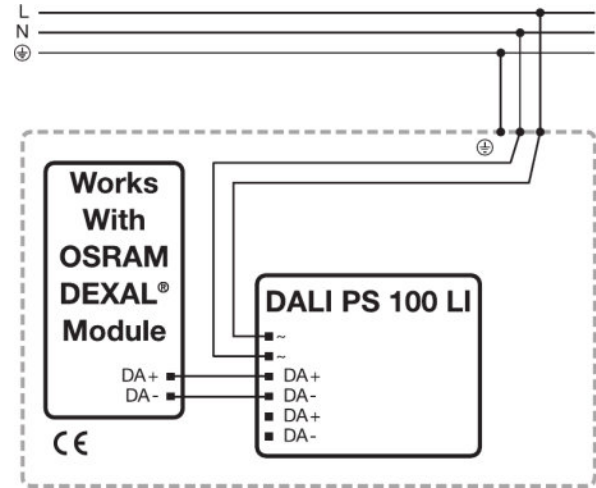
Environmental information

Information according Art. 33 of EU Regulation (EC) 1907/2006 (REACH)	
Date of Declaration	04-10-2023
Primary Article Identifier	4052899583221
Candidate List Substance 1	Lead
CAS No. of substance 1	7439-92-1
Safe Use Instruction	The identification of the Candidate List substance is sufficient to allow safe use of the article.
Declaration No. in SCIP database	9bfa045c-21d7-488f-96b6-c036e0bad74b

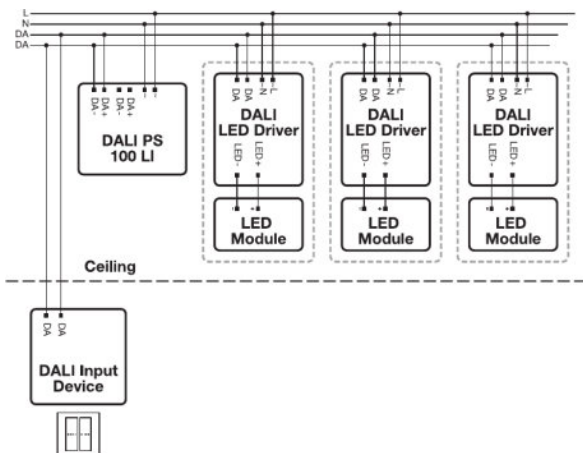
Wiring Diagram



DALI PS 100 LI wiring diagram



DALI PS 100 LI wiring diagram







DALI PS 100 LI wiring diagram

Product datasheet

Equipment / Accessories

- Ceiling or independent installation via ECO CI KIT possible

Download Data

File	
	User instruction DALI PS 100 LI
	Certificates DALI Zigbee DALI VDE 40047700 080422
	Declarations of conformity DALI PS 100 LI CE 3672418 02 160823
	CAD data 3-dim DALI PS 100 LI Assembly Drawing

Logistical Data

Product code	Product description	Packaging unit (Pieces/Unit)	Dimensions (length x width x height)	Volume	Gross weight
4052899583221	DALI PS 100 LI	Shipping carton box 25	223 mm x 197 mm x 179 mm	7.86 dm ³	1775.00 g

The mentioned product code describes the smallest quantity unit which can be ordered. One shipping unit can contain one or more single products. When placing an order, for the quantity please enter single or multiples of a shipping unit.

Disclaimer

Subject to change without notice. Errors and omission excepted. Always make sure to use the most recent release.