

Product family datasheet

Technical data

Electrical data

Product description	Nominal wattage	Rated wattage	Nominal current	Nominal voltage	Type of current
PL-DISC-G1 1100-830 ¹⁾	6.80 W	6.80 W	0.195 A	34.9 V	DC
PL-DISC-G1 1600-830 ¹⁾	9.90 W	9.90 W	0.264 A	37.6 V	DC
PL-DISC-G1 2500-830 ¹⁾	16.10 W	16.10 W	0.492 A	32.7 V	DC
PL-DISC-G1 1100-840 ¹⁾	6.40 W	6.40 W	0.185 A	34.8 V	DC
PL-DISC-G1 1600-840 ¹⁾	9.40 W	9.40 W	0.25 A	37.5 V	DC
PL-DISC-G1 2500-840 ¹⁾	15.20 W	15.20 W	0.465 A	32.6 V	DC
PL-DISC-G1 1100-927 ¹⁾	9.00 W	9.00 W	0.246 A	36.7 V	DC
PL-DISC-G1 1600-927 ¹⁾	13.10 W	13.10 W	0.332 A	39.5 V	DC
PL-DISC-G1 2500-927 ¹⁾	21.30 W	21.30 W	0.619 A	34.5 V	DC

¹⁾ See product remark

Photometrical data

Product description	Total useful luminous flux	Luminous efficacy	Standard deviation of color matching
PL-DISC-G1 1100-830 ¹⁾	1100 lm	162 lm/W	≤3 sdc
PL-DISC-G1 1600-830 ¹⁾	1600 lm	162 lm/W	≤3 sdc
PL-DISC-G1 2500-830 ¹⁾	2500 lm	155 lm/W	≤3 sdc
PL-DISC-G1 1100-840 ¹⁾	1100 lm	172 lm/W	≤3 sdc
PL-DISC-G1 1600-840 ¹⁾	1600 lm	170 lm/W	≤3 sdc
PL-DISC-G1 2500-840 ¹⁾	2500 lm	164 lm/W	≤3 sdc
PL-DISC-G1 1100-927 ¹⁾	1100 lm	122 lm/W	≤3 sdc
PL-DISC-G1 1600-927 ¹⁾	1600 lm	122 lm/W	≤3 sdc
PL-DISC-G1 2500-927 ¹⁾	2500 lm	117 lm/W	≤3 sdc

¹⁾ See product remark

Product family datasheet

Light technical data

Product description	Starting time	Warm-up time (60 %)
PL-DISC-G1 1100-830 ¹⁾	0.0 s	0.00 s
PL-DISC-G1 1600-830 ¹⁾	0.0 s	0.00 s
PL-DISC-G1 2500-830 ¹⁾	0.0 s	0.00 s
PL-DISC-G1 1100-840 ¹⁾	0.0 s	0.00 s
PL-DISC-G1 1600-840 ¹⁾	0.0 s	0.00 s
PL-DISC-G1 2500-840 ¹⁾	0.0 s	0.00 s
PL-DISC-G1 1100-927 ¹⁾	0.0 s	0.00 s
PL-DISC-G1 1600-927 ¹⁾	0.0 s	0.00 s
PL-DISC-G1 2500-927 ¹⁾	0.0 s	0.00 s

¹⁾ See product remark

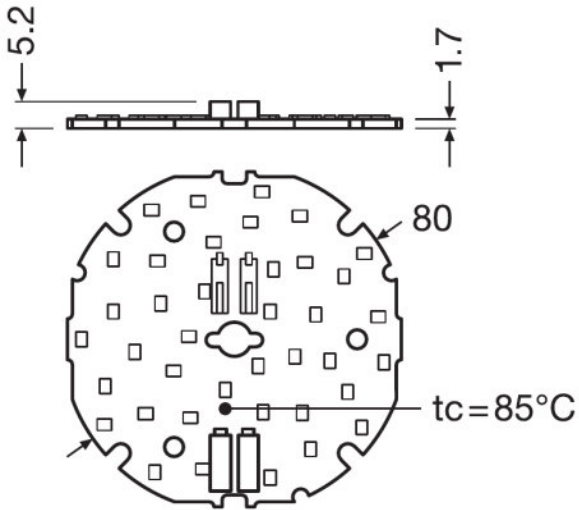
Dimensions & weight

Product description	Rated width	Construction length	Rated height	Product weight
PL-DISC-G1 1100-830 ¹⁾	80.0 mm	80.0 mm	5.20 mm	19.00 g
PL-DISC-G1 1600-830 ¹⁾	120.0 mm	120.0 mm	5.20 mm	41.00 g
PL-DISC-G1 2500-830 ¹⁾	164.5 mm	164.5 mm	5.20 mm	77.00 g
PL-DISC-G1 1100-840 ¹⁾	80.0 mm	80.0 mm	5.20 mm	19.00 g
PL-DISC-G1 1600-840 ¹⁾	120.0 mm	120.0 mm	5.20 mm	41.00 g
PL-DISC-G1 2500-840 ¹⁾	164.5 mm	164.5 mm	5.20 mm	77.00 g
PL-DISC-G1 1100-927 ¹⁾	80.0 mm	80.0 mm	5.20 mm	19.00 g
PL-DISC-G1 1600-927 ¹⁾	120.0 mm	120.0 mm	5.20 mm	41.00 g
PL-DISC-G1 2500-927 ¹⁾	164.5 mm	164.5 mm	5.20 mm	77.00 g

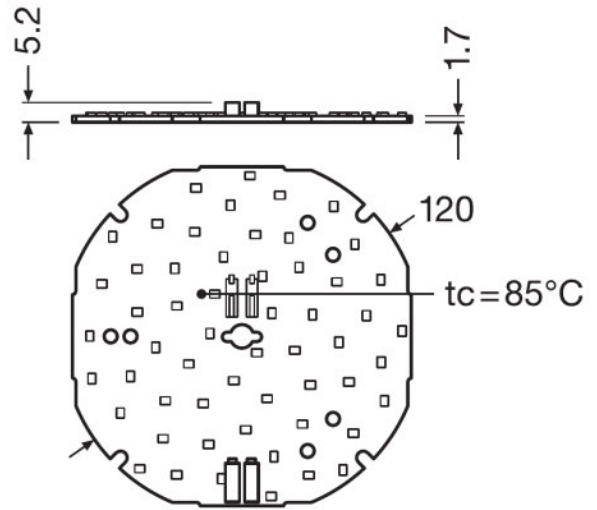
¹⁾ See product remark

Product family datasheet

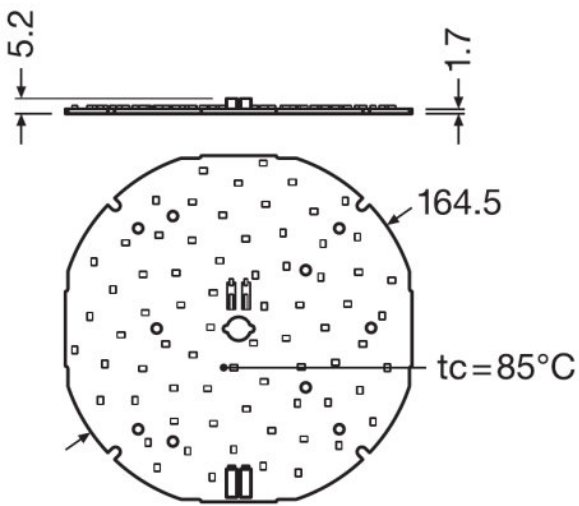
Product line drawing



PL-DISC-G1 1100-830, PL-DISC-G1 1100-840, PL-DISC-G1 1100-927



PL-DISC-G1 1600-830, PL-DISC-G1 1600-840, PL-DISC-G1 1600-927



PL-DISC-G1 2500-830, PL-DISC-G1 2500-840, PL-DISC-G1 2500-927

Product family datasheet

Temperatures & operating conditions

Product description	Performance temp. acc. to IEC 62717	Maximum temperature at tc test point	Ambient temperature range	Temperature range at storage
PL-DISC-G1 1100-830 ¹⁾	65 °C	85 °C	-20...+50 °C	-35...85 °C
PL-DISC-G1 1600-830 ¹⁾	65 °C	85 °C	-20...+50 °C	-35...85 °C
PL-DISC-G1 2500-830 ¹⁾	65 °C	85 °C	-20...+50 °C	-35...85 °C
PL-DISC-G1 1100-840 ¹⁾	65 °C	85 °C	-20...+50 °C	-35...85 °C
PL-DISC-G1 1600-840 ¹⁾	65 °C	85 °C	-20...+50 °C	-35...85 °C
PL-DISC-G1 2500-840 ¹⁾	65 °C	85 °C	-20...+50 °C	-35...85 °C
PL-DISC-G1 1100-927 ¹⁾	65 °C	85 °C	-20...+50 °C	-35...85 °C
PL-DISC-G1 1600-927 ¹⁾	65 °C	85 °C	-20...+50 °C	-35...85 °C
PL-DISC-G1 2500-927 ¹⁾	65 °C	85 °C	-20...+50 °C	-35...85 °C

¹⁾ See product remark

Lifespan

Product description	Lumen main. fact. at end of nom. life time	Lifespan	Nominal lamp life time	Rated lamp life time	Number of switching cycles
PL-DISC-G1 1100-830 ¹⁾	0.80	50000 h	50000 h	50000 h	100000
PL-DISC-G1 1600-830 ¹⁾	0.80	50000 h	50000 h	50000 h	100000
PL-DISC-G1 2500-830 ¹⁾	0.80	50000 h	50000 h	50000 h	100000
PL-DISC-G1 1100-840 ¹⁾	0.80	50000 h	50000 h	50000 h	100000
PL-DISC-G1 1600-840 ¹⁾	0.80	50000 h	50000 h	50000 h	100000
PL-DISC-G1 2500-840 ¹⁾	0.80	50000 h	50000 h	50000 h	100000
PL-DISC-G1 1100-927 ¹⁾	0.80	50000 h	50000 h	50000 h	100000
PL-DISC-G1 1600-927 ¹⁾	0.80	50000 h	50000 h	50000 h	100000
PL-DISC-G1 2500-927 ¹⁾	0.80	50000 h	50000 h	50000 h	100000

¹⁾ See product remark

Additional product data

Product description	Maximum thermal load
PL-DISC-G1 1100-830 ¹⁾	not applicable W
PL-DISC-G1 1600-830 ¹⁾	not applicable W
PL-DISC-G1 2500-830 ¹⁾	not applicable W
PL-DISC-G1 1100-840 ¹⁾	not applicable W
PL-DISC-G1 1600-840 ¹⁾	not applicable W
PL-DISC-G1 2500-840 ¹⁾	not applicable W
PL-DISC-G1 1100-927 ¹⁾	not applicable W
PL-DISC-G1 1600-927 ¹⁾	not applicable W
PL-DISC-G1 2500-927 ¹⁾	not applicable W

¹⁾ See product remark

Product family datasheet

Capabilities

Product description	Dimmable
PL-DISC-G1 1100-830 ¹⁾	Yes
PL-DISC-G1 1600-830 ¹⁾	Yes
PL-DISC-G1 2500-830 ¹⁾	Yes
PL-DISC-G1 1100-840 ¹⁾	Yes
PL-DISC-G1 1600-840 ¹⁾	Yes
PL-DISC-G1 2500-840 ¹⁾	Yes
PL-DISC-G1 1100-927 ¹⁾	Yes
PL-DISC-G1 1600-927 ¹⁾	Yes
PL-DISC-G1 2500-927 ¹⁾	Yes

¹⁾ See product remark

Certificates & standards

Product description	Energy consumption	Energy efficiency class	Standards
PL-DISC-G1 1100-830 ¹⁾	7 kWh/1000h	A++	CE/ENEC
PL-DISC-G1 1600-830 ¹⁾	10 kWh/1000h	A++	CE/ENEC
PL-DISC-G1 2500-830 ¹⁾	17 kWh/1000h	A++	CE/ENEC
PL-DISC-G1 1100-840 ¹⁾	7 kWh/1000h	A++	CE/ENEC
PL-DISC-G1 1600-840 ¹⁾	10 kWh/1000h	A++	CE/ENEC
PL-DISC-G1 2500-840 ¹⁾	16 kWh/1000h	A++	CE/ENEC
PL-DISC-G1 1100-927 ¹⁾	9 kWh/1000h	A++	CE/ENEC
PL-DISC-G1 1600-927 ¹⁾	14 kWh/1000h	A++	CE/ENEC
PL-DISC-G1 2500-927 ¹⁾	22 kWh/1000h	A++	CE/ENEC

¹⁾ See product remark

Logistical data

Product description	Commodity code
PL-DISC-G1 1100-830 ¹⁾	854140100000
PL-DISC-G1 1600-830 ¹⁾	854140100000
PL-DISC-G1 2500-830 ¹⁾	854140100000
PL-DISC-G1 1100-840 ¹⁾	854140100000
PL-DISC-G1 1600-840 ¹⁾	854140100000
PL-DISC-G1 2500-840 ¹⁾	854140100000
PL-DISC-G1 1100-927 ¹⁾	854140100000
PL-DISC-G1 1600-927 ¹⁾	854140100000
PL-DISC-G1 2500-927 ¹⁾	854140100000

¹⁾ See product remark

Product family datasheet

Product remark

Modules perfectly matched to OSRAM OPTOTRONIC LED drivers (see relevant table)/For current photometric data and important safety, installation and application information (see www.osram.com/led-systems),/All the technical parameters apply to the entire module. In view of the complex manufacturing process for light emitting diodes, the typical values given above for the technical LED parameters are merely statistical values that do not necessarily correspond to the actual technical parameters of an individual product; individual products may vary from the typical values/Tolerance for optical and electrical data: +/-10%










Application advice

For more detailed application information and graphics please see product datasheet.

Sales and Technical Support

Sales and Technical Support www.osram.com

Download Data

File	
	Brochures Light is versatile - LED modules for downlights (DE)
	Certificates PL BA ENEC 40031612 161219
	Declarations of conformity CED PL-DISC-G1 9C1-3699778--EN-00 2018-08
	CAD data 3-dim DISC G1 1100 CAD3PDF 040719
	CAD data PDF DISC G1 1100 CADPDF 170719
	CAD data 3-dim DISC 1600 G1 CAD3PDF 040719
	CAD data PDF DISC 1600 G1 CADPDF 040719
	CAD data 3-dim PL DISC G1 2500 CAD3PDF 040719
	CAD data PDF PL DISC G1 2500 CADPDF 170719

Logistical Data

Product family datasheet

Product code	Product description	Packaging unit (Pieces/Unit)	Dimensions (length x width x height)	Volume	Gross weight
4052899600683	PL-DISC-G1 1100-830	Shipping carton box 80	261 mm x 196 mm x 112 mm	5.73 dm ³	1719.00 g
4052899600690	PL-DISC-G1 1600-830	Shipping carton box 40	261 mm x 141 mm x 152 mm	5.59 dm ³	1771.00 g
4052899600706	PL-DISC-G1 2500-830	Shipping carton box 40	261 mm x 181 mm x 192 mm	9.07 dm ³	3251.00 g
4052899600713	PL-DISC-G1 1100-840	Shipping carton box 80	261 mm x 196 mm x 112 mm	5.73 dm ³	1719.00 g
4052899600720	PL-DISC-G1 1600-840	Shipping carton box 40	261 mm x 141 mm x 152 mm	5.59 dm ³	1771.00 g
4052899600737	PL-DISC-G1 2500-840	Shipping carton box 40	261 mm x 181 mm x 192 mm	9.07 dm ³	3251.00 g
4052899600744	PL-DISC-G1 1100-927	Shipping carton box 80	261 mm x 196 mm x 112 mm	5.73 dm ³	1719.00 g
4052899600751	PL-DISC-G1 1600-927	Shipping carton box 40	261 mm x 141 mm x 152 mm	5.59 dm ³	1771.00 g
4052899600768	PL-DISC-G1 2500-927	Shipping carton box 40	261 mm x 181 mm x 192 mm	9.07 dm ³	3251.00 g

The mentioned product code describes the smallest quantity unit which can be ordered. One shipping unit can contain one or more single products. When placing an order, for the quantity please enter single or multiples of a shipping unit.

Disclaimer

Subject to change without notice. Errors and omission excepted. Always make sure to use the most recent release.