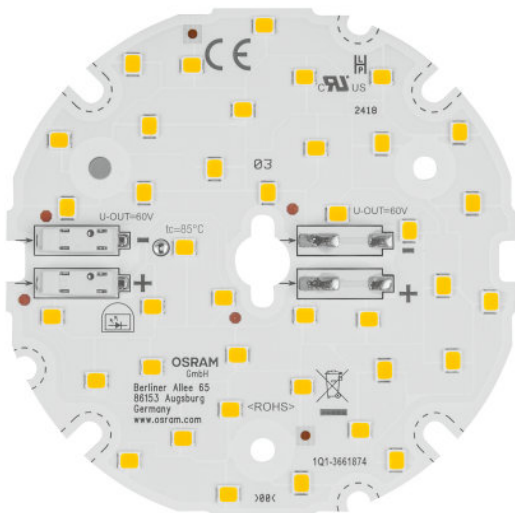


## Basic Disc

Spot-, Down- and Wallmount Light Engines and Modules



### Areas of application

- Hospitality, hotels, restaurants
- Public and commercial buildings
- Offices
- Secondary rooms, garages, storerooms, cellars

### Product family benefits

- For downlights featuring professional performance at an affordable price point
- Easy and quick design-in
- 3 years system guarantee

### Product family features

- Consistent white light: < 3 SDCM
- Available with color temperature: 3,000 K, 4,000 K
- LED module is basic isolated to mounting surface
- Photobiological safety according to IEC/TR 62778, risk group RG1
- Max. working voltage: 60 V (to be operated only on SELV LED control gear)



## Product family datasheet

### Technical data

#### Electrical data

Product description	Nominal wattage	Rated wattage	Nominal current	Nominal voltage	Type of current
BA-DISC-G1 1100-830 <sup>1)</sup>	7.30 W	7.30 W	0.209 A	35.1 V	DC
BA-DISC-G1 1600-830 <sup>1)</sup>	11.50 W	11.50 W	0.317 A	36.2 V	DC
BA-DISC-G1 2500-830 <sup>1)</sup>	18.30 W	18.30 W	0.465 A	39.3 V	DC
BA-DISC-G1 1100-840 <sup>1)</sup>	6.90 W	6.90 W	0.197 A	34.9 V	DC
BA-DISC-G1 1600-840 <sup>1)</sup>	10.80 W	10.80 W	0.299 A	36.0 V	DC
BA-DISC-G1 2500-840 <sup>1)</sup>	17.10 W	17.10 W	0.438 A	39.1 V	DC

<sup>1)</sup> See product remark

#### Photometrical data

Product description	Total useful luminous flux	Luminous efficacy	Standard deviation of color matching
BA-DISC-G1 1100-830 <sup>1)</sup>	1100 lm	151 lm/W	≤3 sdc
BA-DISC-G1 1600-830 <sup>1)</sup>	1600 lm	139 lm/W	≤3 sdc
BA-DISC-G1 2500-830 <sup>1)</sup>	2500 lm	137 lm/W	≤3 sdc
BA-DISC-G1 1100-840 <sup>1)</sup>	1100 lm	159 lm/W	≤3 sdc
BA-DISC-G1 1600-840 <sup>1)</sup>	1600 lm	148 lm/W	≤3 sdc
BA-DISC-G1 2500-840 <sup>1)</sup>	2500 lm	146 lm/W	≤3 sdc

<sup>1)</sup> See product remark

#### Light technical data

Product description	Starting time	Warm-up time (60 %)
BA-DISC-G1 1100-830 <sup>1)</sup>	0.0 s	0.00 s
BA-DISC-G1 1600-830 <sup>1)</sup>	0.0 s	0.00 s
BA-DISC-G1 2500-830 <sup>1)</sup>	0.0 s	0.00 s
BA-DISC-G1 1100-840 <sup>1)</sup>	0.0 s	0.00 s
BA-DISC-G1 1600-840 <sup>1)</sup>	0.0 s	0.00 s
BA-DISC-G1 2500-840 <sup>1)</sup>	0.0 s	0.00 s

<sup>1)</sup> See product remark

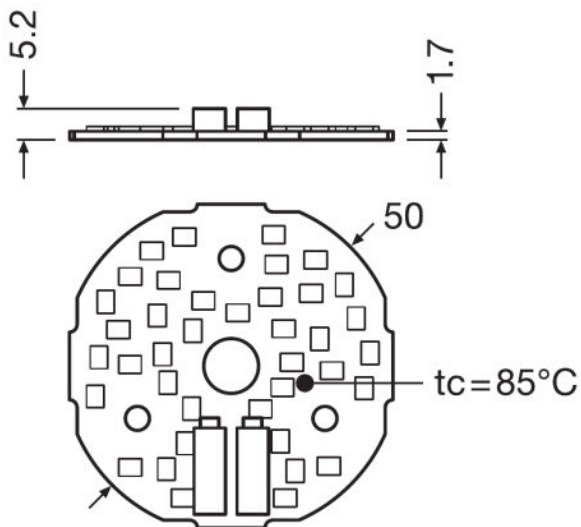
## Product family datasheet

### Dimensions & weight

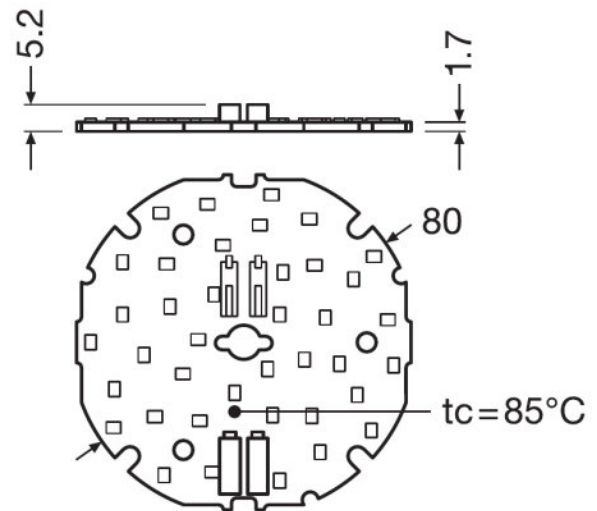
Product description	Rated width	Construction length	Rated height	Product weight
BA-DISC-G1 1100-830 <sup>1)</sup>	50.0 mm	50.0 mm	5.20 mm	8.00 g
BA-DISC-G1 1600-830 <sup>1)</sup>	80.0 mm	80.0 mm	5.20 mm	19.00 g
BA-DISC-G1 2500-830 <sup>1)</sup>	120.0 mm	120.0 mm	5.20 mm	41.00 g
BA-DISC-G1 1100-840 <sup>1)</sup>	50.0 mm	50.0 mm	5.20 mm	8.00 g
BA-DISC-G1 1600-840 <sup>1)</sup>	80.0 mm	80.0 mm	5.20 mm	19.00 g
BA-DISC-G1 2500-840 <sup>1)</sup>	120.0 mm	120.0 mm	5.20 mm	41.00 g

<sup>1)</sup> See product remark

### Product line drawing

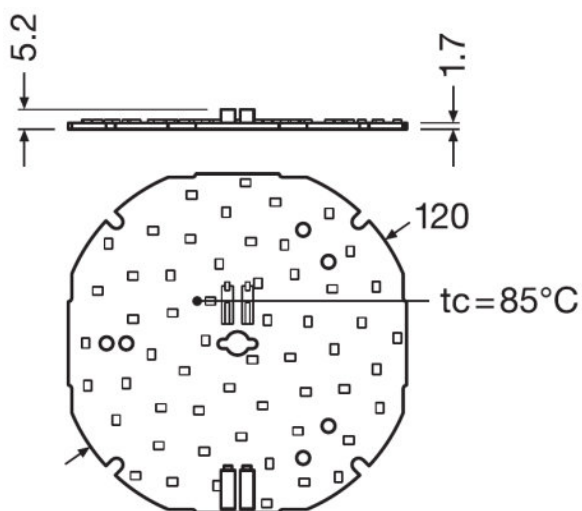


BA-DISC-G1 1100-830, BA-DISC-G1 1100-840



BA-DISC-G1 1600-830, BA-DISC-G1 1600-840

## Product family datasheet



BA-DISC-G1 2500-830, BA-DISC-G1 2500-840

### Temperatures & operating conditions

Product description	Performance temp. acc. to IEC 62717	Maximum temperature at tc test point	Ambient temperature range	Temperature range at storage
BA-DISC-G1 1100-830 <sup>1)</sup>	65 °C	85 °C	-20...+50 °C	-30...85 °C
BA-DISC-G1 1600-830 <sup>1)</sup>	65 °C	85 °C	-20...+50 °C	-30...85 °C
BA-DISC-G1 2500-830 <sup>1)</sup>	65 °C	85 °C	-20...+50 °C	-30...85 °C
BA-DISC-G1 1100-840 <sup>1)</sup>	65 °C	85 °C	-20...+50 °C	-30...85 °C
BA-DISC-G1 1600-840 <sup>1)</sup>	65 °C	85 °C	-20...+50 °C	-30...85 °C
BA-DISC-G1 2500-840 <sup>1)</sup>	65 °C	85 °C	-20...+50 °C	-30...85 °C

<sup>1)</sup> See product remark

### Lifespan

Product description	Lumen main. fact. at end of nom. life time	Lifespan	Nominal lamp life time	Rated lamp life time	Number of switching cycles
BA-DISC-G1 1100-830 <sup>1)</sup>	0.80	50000 h	50000 h	50000 h	100000
BA-DISC-G1 1600-830 <sup>1)</sup>	0.80	50000 h	50000 h	50000 h	100000
BA-DISC-G1 2500-830 <sup>1)</sup>	0.80	50000 h	50000 h	50000 h	100000
BA-DISC-G1 1100-840 <sup>1)</sup>	0.80	50000 h	50000 h	50000 h	100000
BA-DISC-G1 1600-840 <sup>1)</sup>	0.80	50000 h	50000 h	50000 h	100000
BA-DISC-G1 2500-840 <sup>1)</sup>	0.80	50000 h	50000 h	50000 h	100000

<sup>1)</sup> See product remark

## Product family datasheet

### Additional product data

Product description	Maximum thermal load
BA-DISC-G1 1100-830 <sup>1)</sup>	not applicable W
BA-DISC-G1 1600-830 <sup>1)</sup>	not applicable W
BA-DISC-G1 2500-830 <sup>1)</sup>	not applicable W
BA-DISC-G1 1100-840 <sup>1)</sup>	not applicable W
BA-DISC-G1 1600-840 <sup>1)</sup>	not applicable W
BA-DISC-G1 2500-840 <sup>1)</sup>	not applicable W

<sup>1)</sup> See product remark

### Capabilities

Product description	Dimmable
BA-DISC-G1 1100-830 <sup>1)</sup>	Yes
BA-DISC-G1 1600-830 <sup>1)</sup>	Yes
BA-DISC-G1 2500-830 <sup>1)</sup>	Yes
BA-DISC-G1 1100-840 <sup>1)</sup>	Yes
BA-DISC-G1 1600-840 <sup>1)</sup>	Yes
BA-DISC-G1 2500-840 <sup>1)</sup>	Yes

<sup>1)</sup> See product remark

### Certificates & standards

Product description	Energy consumption	Energy efficiency class	Standards
BA-DISC-G1 1100-830 <sup>1)</sup>	8 kWh/1000h	A++	CE/ENEC
BA-DISC-G1 1600-830 <sup>1)</sup>	12 kWh/1000h	A++	CE/ENEC
BA-DISC-G1 2500-830 <sup>1)</sup>	19 kWh/1000h	A++	CE/ENEC
BA-DISC-G1 1100-840 <sup>1)</sup>	7 kWh/1000h	A++	CE/ENEC
BA-DISC-G1 1600-840 <sup>1)</sup>	11 kWh/1000h	A++	CE/ENEC
BA-DISC-G1 2500-840 <sup>1)</sup>	18 kWh/1000h	A++	CE/ENEC

<sup>1)</sup> See product remark

### Logistical data

Product description	Commodity code
BA-DISC-G1 1100-830 <sup>1)</sup>	854140100000
BA-DISC-G1 1600-830 <sup>1)</sup>	854140100000
BA-DISC-G1 2500-830 <sup>1)</sup>	854140100000
BA-DISC-G1 1100-840 <sup>1)</sup>	854140100000
BA-DISC-G1 1600-840 <sup>1)</sup>	854140100000
BA-DISC-G1 2500-840 <sup>1)</sup>	854140100000

## Product family datasheet

<sup>1)</sup> See product remark

---

### Product remark

Modules perfectly matched to OSRAM OPTOTRONIC LED drivers (see relevant table)/For current photometric data and important safety, installation and application information (see [www.osram.com/led-systems](http://www.osram.com/led-systems))/All the technical parameters apply to the entire module. In view of the complex manufacturing process for light emitting diodes, the typical values given above for the technical LED parameters are merely statistical values that do not necessarily correspond to the actual technical parameters of an individual product; individual products may vary from the typical values/Tolerance for optical and electrical data: +/-10%

---

### Application advice

For more detailed application information and graphics please see product datasheet.










---

### Sales and Technical Support

Sales and Technical Support [www.osram.com](http://www.osram.com)

---

### Download Data

File	
	Brochures Light is versatile - LED modules for downlights (DE)
	Certificates PL ENEC 40031612 250920
	Declarations of conformity CED PL-DISC-G1 9C1-3699778--EN-00 2018-08
	CAD data 3-dim BA DISC G1 1100 CAD3PDF 040719
	CAD data PDF BA DISC G1 1100 CADPDF 170719
	CAD data 3-dim BA DISC G1 1600 80 CAD3PDF 021219
	CAD data PDF BA DISC G1 1600 80 CADPDF 021219
	CAD data 3-dim DISC 1600 G1 CAD3PDF 040719
	CAD data PDF DISC 1600 G1 CADPDF 040719

---

### Logistical Data

## Product family datasheet

Product code	Product description	Packaging unit (Pieces/Unit)	Dimensions (length x width x height)	Volume	Gross weight
4052899600775	BA-DISC-G1 1100-830	Shipping carton box 80	261 mm x 140 mm x 85 mm	3.11 dm <sup>3</sup>	796.00 g
4052899600782	BA-DISC-G1 1600-830	Shipping carton box 80	261 mm x 196 mm x 112 mm	5.73 dm <sup>3</sup>	1719.00 g
4052899600799	BA-DISC-G1 2500-830	Shipping carton box 40	261 mm x 141 mm x 152 mm	5.59 dm <sup>3</sup>	1771.00 g
4052899600805	BA-DISC-G1 1100-840	Shipping carton box 80	261 mm x 140 mm x 85 mm	3.11 dm <sup>3</sup>	796.00 g
4052899600812	BA-DISC-G1 1600-840	Shipping carton box 80	261 mm x 196 mm x 112 mm	5.73 dm <sup>3</sup>	1719.00 g
4052899600829	BA-DISC-G1 2500-840	Shipping carton box 40	261 mm x 141 mm x 152 mm	5.59 dm <sup>3</sup>	1771.00 g

The mentioned product code describes the smallest quantity unit which can be ordered. One shipping unit can contain one or more single products. When placing an order, for the quantity please enter single or multiples of a shipping unit.

---

### Disclaimer

Subject to change without notice. Errors and omission excepted. Always make sure to use the most recent release.