

QBM D4i LS/PD HB R

Qualified Bluetooth mesh DEXAL Module | Actuators



Product family features

- With/without Daylight and Occupancy Sensor DEXAL Module
- Qualified Bluetooth mesh enabled by Silvair
- Control of DEXAL drivers or DALI drivers with additional DALI bus power supply
- Intended for installation into a standard 1/2" knockout
- Works with OSRAM Hubsense
- Works with OSRAM DEXAL

Product family benefits

- Design freedom due to compact size
- Easy to integrate in luminaire
- Minimize internal wiring in combination with DEXAL drivers

Areas of application

- Open offices
- Individual offices
- Conference rooms
- Classrooms
- Storage and break areas
- Stairways
- Toilets

Product datasheet

Technical data

Electrical data

Input voltage DC	12...22.5 V
Peak input current	30 mA
Average input current	10 mA
Radio frequency	2.4 GHz
Maximum TX power	+4 dBm
Wireless protocol	Qualified Bluetooth mesh enabled by Silvair
Wireless range	12 m line of sight
System wattage	0.30 W
Standby power	< 150 mW
Screw thread length	25 mm
Required DALI current (typical)	10 mA
Peak DALI current	30 mA
Maximum start-up time (DALI)	-

Dimensions & weight



Length	43.5 mm
Diameter	37.0 mm
Mounting hole diameter	22.2...23.2 mm
Product weight	18.20 g
Wire preparation length, input side	7...9 mm
Cable cross-section, output side	-
Cable cross-section, input side	0.25...0.75 mm ²
Maximum allowed cable length	10
Screw thread length	25 mm

Temperatures & operating conditions

Product datasheet

Temperature range in operation at Tc point	-
Ambient temperature range	-20...+50 °C
Permitted rel. humidity during operation	0...90 %
Temperature range at storage	0...70 °C
Permitted relative humidity at storage	0...95 %
Maximum temperature at tc test point	60 °C

Lifespan

Lifespan	50000 h
----------	---------

Capabilities

Control output	D4i
Number of connected drivers	4
Dimmable	Yes
Type of sensor	Daylight / PIR
Operating range, light sensor	<1000 lx
Detection angle	90 °
Maximum installation height	-
Compatibility	Works with OSRAM HubSense / Works with OSRAM DEXAL
Status Indicator	Green: network Status / Red: Motion detected
Reset	Magnetic ¹⁾
Number of control outputs	-
Dimming interface	D4i
Type of installation	Luminaire integration
Control interface	qualified Bluetooth mesh
Detection angle (Light sensor)	+/- 15°
Detection angle (PIR)	+/-60°

¹⁾ by magnet

Certificates & standards

Approval marks – approval	CE
Type of protection	IP54

Logistical data

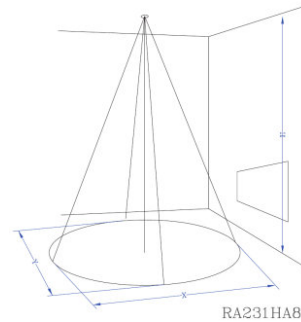
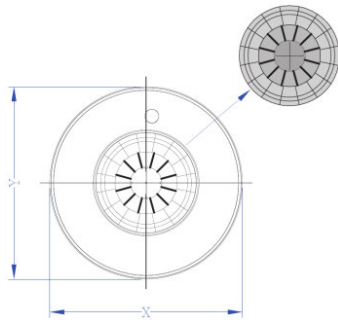
Commodity code	903149900000
----------------	--------------

Environmental information

Information according Art. 33 of EU Regulation (EC) 1907/2006 (REACH)

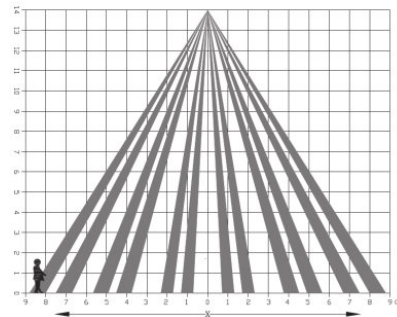
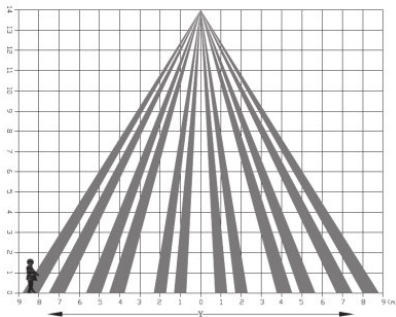
Product datasheet

Date of Declaration	28-04-2022
Primary Article Identifier	4052899627178
Candidate List Substance 1	Lead
CAS No. of substance 1	7439-92-1
Safe Use Instruction	The identification of the Candidate List substance is sufficient to allow safe use of the article.
Declaration No. in SCIP database	a300203b-99f6-421f-995e-77119a1adad2



QBM D4i LS PD HB R Detection Pattern 4

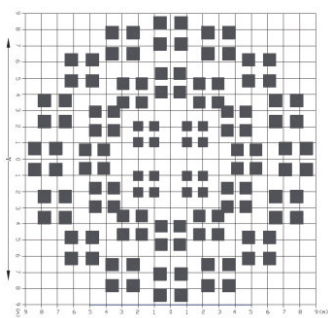
QBM D4i LS PD HB R Detection Pattern 3



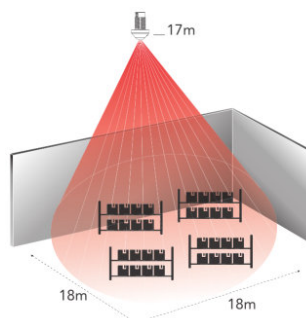
QBM D4i LS PD HB R Detection Pattern 2

QBM D4i LS PD HB R Detection Pattern 1

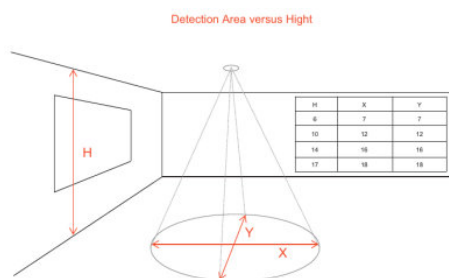
Product datasheet



QBM D4i LS PD HB R Detection_Pattern



210722 RA231HA8 detection




210722 RA231HA8 Detection Pattern

Product datasheet

Additional product information

- By integrating the device into a casing the wireless range could be affected, in particular by metal surfaces. Therefore, the wireless range needs to be verified after integration.
- The device could be reset to factory default by placing a strong Neodym magnet (e.g. N35, d=6.35 mm x h=1.59 mm) near the corner of the bezel for 5 seconds.
- The status LED of the device indicates following Network status. Fast blinking (Green): Not connected to a network, Slow blinking (Green); Connected to a network, Blink twice (Green): Mesh package received, Long blink (Green) Factory reset, Blink one (Red): Motion detected
- The device has passed successfully the SILVAIR Testing process.
- The device can be put into operation using the OSRAM HubSense Commissioning Tool (<https://platform.hubsense.eu>), subject to prior acceptance of the Terms of Use and the Privacy Policy.
- OSRAM may terminate or suspend the use of the HubSense Commissioning Tool at any time and for any or no reason in its sole discretion, even if access and use is continued to be allowed to others.
- The device complies with Bluetooth mesh Standard v1.0. It can also be used in 3rd party Bluetooth mesh network, that complies with this standard and that supports the mesh models of this device, and with certain 3rd party commissioning tools, that support the mesh models of this device. In order to ensure correct interoperability a verification with the 3rd party network components and the 3rd party commissioning tool is necessary in advance. Please contact OSRAM (support@hubsense.eu) to receive the actual list of supported models for this device.
- OSRAM shall have no liability for any 3rd party commissioning tool and does not make any representations, express or implied, about the availability and/or performance of such commissioning tool.
- OSRAM shall have no liability for and does not make any representations, express or implied, about the connectivity of OSRAM QBM products with any other products, that have passed the SILVAIR Testing process.

Download Data

File
 User instruction QBM D4i LS PD HB R

Logistical Data

Product code	Product description	Packaging unit (Pieces/Unit)	Dimensions (length x width x height)	Volume	Gross weight
4052899627178	QBM D4i LS/PD HB R	Shipping carton box 50	330 mm x 287 mm x 195 mm	18.47 dm ³	1530.00 g

The mentioned product code describes the smallest quantity unit which can be ordered. One shipping unit can contain one or more single products. When placing an order, for the quantity please enter single or multiples of a shipping unit.

Disclaimer

Subject to change without notice. Errors and omission excepted. Always make sure to use the most recent release.