

OPTOTRONIC FIT NFC

Constant Current Compact – Non dimmable



Areas of application

- Spot light and down light
- Offices
- Shops
- Hospitality

Product family benefits

- Fast programming / current set via NFC*
- High quality of light thanks to low output ripple current
- Small housing for flexible luminaire designs
- High efficiency

Product family features

- Output current range 150-1050 mA
- NFC Interface
- Low LF-ripple < 5%
- Lifetime: up to 50,000 h (temperature at max. t_c)



Product family datasheet

Technical data

Electrical data

Product description	Nominal input voltage	Mains frequency	Input voltage AC	Total harmonic distortion	Power factor λ	ECG efficiency
OT FIT 15/220-240/350 NFC	220...240 V	50/60 Hz	198...264 V	< 10 % ¹⁾	0.98	85 % ²⁾
OT FIT 25/220-240/700 NFC	220...240 V	50/60 Hz	198...264 V	< 10 % ¹⁾	0.98	89 % ²⁾
OT FIT 40/220-240/1A0 NFC	220...240 V	50/60 Hz	198...264 V	< 10 % ¹⁾	0.98	89 % ²⁾

Product description	Device power loss	Inrush current	Max. ECG no. on circuit breaker 10 A (B)	Max. ECG no. on circuit breaker 10 A (C)	Max. ECG no. on circuit breaker 16 A (B)	Max. ECG no. on circuit breaker 16 A (C)
OT FIT 15/220-240/350 NFC	2.5 W	20 A ³⁾	40	-	60	-
OT FIT 25/220-240/700 NFC	3.6 W	20 A ³⁾	20	-	30	-
OT FIT 40/220-240/1A0 NFC	5.5 W	20 A ³⁾	15	-	25	-

Product description	Max. ECG no. on circuit breaker 25 A (B)	Surge capability (L/N-Ground)	Surge capability (L-N)	Nominal output voltage
OT FIT 15/220-240/350 NFC	-	2 kV	1 kV	18...40 V
OT FIT 25/220-240/700 NFC	-	2 kV	1 kV	18...40 V
OT FIT 40/220-240/1A0 NFC	-	2 kV	1 kV	18...40 V

Product description	U-OUT (working voltage)	Nominal output current	Output current tolerance	Output ripple current (100 Hz)
OT FIT 15/220-240/350 NFC	60 V	150...350 mA ⁴⁾	±7.5 %	< 5 %
OT FIT 25/220-240/700 NFC	60 V	350...700 mA ⁴⁾	±7.5 %	< 5 %
OT FIT 40/220-240/1A0 NFC	60 V	700...1050 mA ⁴⁾	±7.5 %	< 5 %

Product description	Output PSTLM	Output SVM	Nominal output power	Galvanic isolation
OT FIT 15/220-240/350 NFC	≤1	≤0.4	2.7...14 W	SELV
OT FIT 25/220-240/700 NFC	≤1	≤0.4	6.3...28 W	SELV
OT FIT 40/220-240/1A0 NFC	≤1	≤0.4	12.6...42 W	SELV

Product description	Current set
OT FIT 15/220-240/350 NFC	NFC
OT FIT 25/220-240/700 NFC	NFC
OT FIT 40/220-240/1A0 NFC	NFC

¹⁾ At full load

²⁾ Full load, 220 - 240 V, 50 Hz

³⁾ $t_h=200 \mu s$

⁴⁾ ±7.5%

Product family datasheet

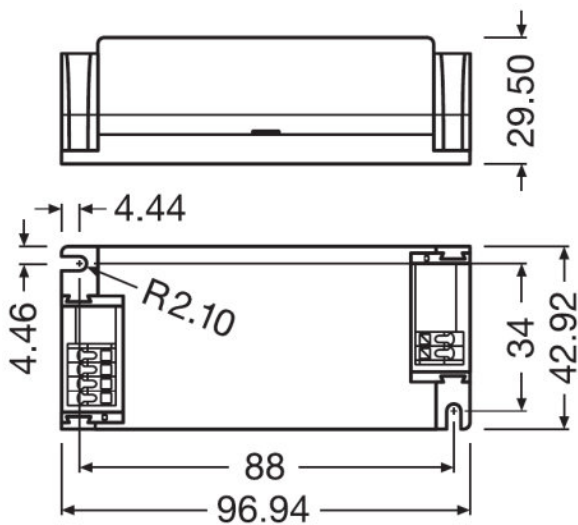
Dimensions & weight

Product description	Mounting hole spacing, length	Mounting hole spacing, width	Product weight	Cable cross-section, input side	Cable cross-section, output side
OT FIT 15/220-240/350 NFC	88.0 mm	34.0 mm	85.00 g	0.5...1.5 / 0.75...1.5 mm ² ¹⁾	0.5...1.5 / 0.75...1.5 mm ² ¹⁾
OT FIT 25/220-240/700 NFC	88.0 mm	34.0 mm	120.00 g	0.5...1.5 / 0.75...1.5 mm ² ¹⁾	0.5...1.5 / 0.75...1.5 mm ² ¹⁾
OT FIT 40/220-240/1A0 NFC	88.0 mm	34.0 mm	120.00 g	0.5...1.5 / 0.75...1.5 mm ² ¹⁾	0.5...1.5 / 0.75...1.5 mm ² ¹⁾

Product description	Wire preparation length, input side	Wire preparation length, output side	Width	Height	Length
OT FIT 15/220-240/350 NFC	7...8 mm	7...8 mm	43.0 mm	29.5 mm	97.0 mm
OT FIT 25/220-240/700 NFC	7...8 mm	7...8 mm	43.0 mm	29.5 mm	97.0 mm
OT FIT 40/220-240/1A0 NFC	7...8 mm	7...8 mm	43.0 mm	29.5 mm	97.0 mm

¹⁾ Solid/ Flexible Leads

Product line drawing



OT FIT 15/220-240/350 NFC, OT FIT 25/220-240/700 NFC,
OT FIT 40/220-240/1A0 NFC

Product family datasheet

Colors & materials

Product description	Casing material
OT FIT 15/220-240/350 NFC	Plastic
OT FIT 25/220-240/700 NFC	Plastic
OT FIT 40/220-240/1A0 NFC	Plastic

Temperatures & operating conditions

Product description	Ambient temperature range	Maximum temperature at tc test point	Max.housing temperature in case of fault	Temperature range at storage
OT FIT 15/220-240/350 NFC	-20...+50 °C	70 °C	110 °C	-25...85 °C
OT FIT 25/220-240/700 NFC	-20...+50 °C	80 °C	110 °C	-25...85 °C
OT FIT 40/220-240/1A0 NFC	-20...+50 °C ²⁾	80 °C	110 °C	-25...85 °C

Product description	Permitted rel. humidity during operation
OT FIT 15/220-240/350 NFC	5...85 % ¹⁾
OT FIT 25/220-240/700 NFC	5...85 % ¹⁾
OT FIT 40/220-240/1A0 NFC	5...85 % ¹⁾

¹⁾ Non-condensing

²⁾ 700-900mA

Lifespan

Product description	ECG lifetime
OT FIT 15/220-240/350 NFC	50000 / 100000 h ¹⁾
OT FIT 25/220-240/700 NFC	50000 / 100000 h ²⁾
OT FIT 40/220-240/1A0 NFC	50000 / 100000 h ²⁾

¹⁾ $T_c = 70^\circ\text{C}, 0.2\% / 1,000 \text{ h failure rate} / T_c = 60^\circ\text{C}, 0.1\% / 1,000 \text{ h failure rate}$

²⁾ At $T_c = 80^\circ\text{C} / 0.2\% / 1,000 \text{ h failure rate} / T_c = 70^\circ\text{C}, 0.1\% / 1,000 \text{ h failure rate}$

Additional product data

Product description	Encapsulated
OT FIT 15/220-240/350 NFC	No
OT FIT 25/220-240/700 NFC	No
OT FIT 40/220-240/1A0 NFC	No

Product family datasheet

Capabilities

Product description	Dimmable	Overheating protection	Overload protection
OT FIT 15/220-240/350 NFC	No	Automatic reversible	Yes
OT FIT 25/220-240/700 NFC	No	Automatic reversible	Yes
OT FIT 40/220-240/1A0 NFC	No	Automatic reversible	Yes

Product description	Short-circuit protection	No-load proof	Max. cable length to lamp/LED module	Suitable for fixtures with prot. class
OT FIT 15/220-240/350 NFC	Yes	Yes	2.0 m	I / II
OT FIT 25/220-240/700 NFC	Yes	Yes	2.0 m	I / II
OT FIT 40/220-240/1A0 NFC	Yes	Yes	2.0 m	I / II

Product description	Type of connection, input side	Type of connection, output side	Number of channels
OT FIT 15/220-240/350 NFC	Push terminal	Push terminal	1
OT FIT 25/220-240/700 NFC	Push terminal	Push terminal	1
OT FIT 40/220-240/1A0 NFC	Push terminal	Push terminal	1

Programming

Product description	Programming device	Tuner4TRONIC Field App	Tuner4TRONIC
OT FIT 15/220-240/350 NFC	NFC	Yes	Yes
OT FIT 25/220-240/700 NFC	NFC	Yes	Yes
OT FIT 40/220-240/1A0 NFC	NFC	Yes	Yes

Product family datasheet

Certificates & standards

Product description	Approval marks – approval	Standards	Type of protection
OT FIT 15/220-240/350 NFC	CCC / CE / ENEC ¹⁾	Acc. to IEC 61347-1/Acc. to IEC 61347-2-13/Acc. to IEC 62384/Acc. to IEC 61000-3-2/Acc. to IEC 61000-3-3/Acc. to IEC 61547/Acc. to EN 55015, CISPR 15/Acc. to EN 62386	IP20
OT FIT 25/220-240/700 NFC	CCC / CE / ENEC ¹⁾	Acc. to IEC 61347-1/Acc. to IEC 61347-2-13/Acc. to IEC 62384/Acc. to IEC 61000-3-2/Acc. to IEC 61000-3-3/Acc. to IEC 61547/Acc. to EN 55015, CISPR 15/Acc. to EN 62386	IP20
OT FIT 40/220-240/1A0 NFC	CCC / CE / ENEC ¹⁾	Acc. to IEC 61347-1/Acc. to IEC 61347-2-13/Acc. to IEC 62384/Acc. to IEC 61000-3-2/Acc. to IEC 61000-3-3/Acc. to IEC 61547/Acc. to EN 55015, CISPR 15/Acc. to EN 62386	IP20

¹⁾ In preparation

Logistical data

Product description	Commodity code
OT FIT 15/220-240/350 NFC	850440829000
OT FIT 25/220-240/700 NFC	850440829000
OT FIT 40/220-240/1A0 NFC	850440829000

Application advice






For more detailed application information and graphics please see product datasheet.

Sales and Technical Support

Sales and Technical Support www.osram.com

Download Data

Product family datasheet

File	
	User instruction OPTOTRONIC LED Power Supply
	Product Datasheet OT FIT 15 NFC DS 050820
	Declarations of conformity OT FIT NFC CE 4211505 140520
	Product Datasheet OT FIT 25 NFC DS 050820
	Product Datasheet OT FIT 40 NFC DS 050820

Logistical Data

Product code	Product description	Packaging unit (Pieces/Unit)	Dimensions (length x width x height)	Volume	Gross weight
4052899617179	OT FIT 15/220-240/350 NFC	Shipping carton box 20	228 mm x 208 mm x 78 mm	3.70 dm ³	1806.00 g
4052899617186	OT FIT 25/220-240/700 NFC	Shipping carton box 20	228 mm x 208 mm x 78 mm	3.70 dm ³	2506.00 g
4052899617193	OT FIT 40/220-240/1A0 NFC	Shipping carton box 20	228 mm x 208 mm x 78 mm	3.70 dm ³	2506.00 g

The mentioned product code describes the smallest quantity unit which can be ordered. One shipping unit can contain one or more single products. When placing an order, for the quantity please enter single or multiples of a shipping unit.

Disclaimer

Subject to change without notice. Errors and omission excepted. Always make sure to use the most recent release.