

LEDDriving DMI for VW Golf VI

Legal and powerful LED upgrade



Dynamic LEDs

Fully dynamic LED mirror indicator with high-performance LEDs



- Plug & Play

Quick and uncomplicated modification and installation



Up to 200% more brightness¹⁾

Enormous brightness and high contrast day & night due to intense amber LED light²⁾



ECE-certified

- ECE R6/R10- Completely legal- No registration in the car documents required

Product datasheet



Switch on the WOW with OSRAM LEDDriving dynamic mirror indicators

Innovative & Up to date Driven by our pursuit of innovation and quality, we are redefining vehicle lighting from OSRAM. With the addition of the LEDDriving dynamic mirror indicators, the extensive OSRAM LED portfolio has received an additional upgrade. These fully dynamic LED mirror indicators offer an innovative design to impressively complement the individual look of your vehicle. They score based on innovative high-performance LEDs with up to 200% more brightness¹⁾ and impressive high contrast during day and night due to intensive yellow LED light²⁾ Thanks to the latest light guide technology, they also offer a homogeneous light distribution over the to be illuminated surface. As result of all these aspects, there is the possibility of an improved perception of your vehicle by oncoming traffic and consequently increased safety in road traffic. In addition, OSRAM grants a 5-year guarantee³⁾ High compatibility & Individual design The LEDDriving dynamic mirror indicators are not only characterized by their innovative lighting technology but also by a high level of compatibility. So, they are compatible with a variety of vehicle models. There are also two variants to choose from: The BLACK Edition or the WHITE EDITION - both are designed to effectively bring out the individual style of numerous vehicles. While the BLACK edition impresses with a tinted, black design, the WHITE edition features a clear and white design. Due to the two different versions, the LEDDriving dynamic mirror indicators adapt perfectly to the exterior of a wide variety of vehicles. ECE-Certified & Uncomplicated conversion Accentuating the vehicle completely legally, in a straightforward and extremely stylish way with eye-catching accents is now very easy with the latest OSRAM innovations. According to the ECE guidelines, the necessary tests and approvals have been carried out on the LEDDriving dynamic mirror indicators, which means that they are completely legal in road traffic and a registration into the vehicle documents is not necessary. ECE certified according to ECE R6 / R10. The Plug & Play technology ensures a quick and uncomplicated installation of the LEDDriving dynamic mirror indicators, existing cables do not have to be changed or damaged. Tested OSRAM quality according to DIN EN ISO/IEC 17025 The LEDDriving dynamic mirror indicator has been tested in our DIN-certified environmental simulation laboratory for extreme external influences regarding water, dust, cold & warm temperatures, UV light and permanent vibrations & shocks and validated with the IP protection class IP6K9K. Switch on the WOW with the OSRAM LEDDriving dynamic mirror indicators Applicable for: VW Golf VI (10/2008-08/2012) VW Touran I (5/2010-05/2015)¹⁾ Compared to the minimum requirements of ECE R6²⁾ Compared to other mirror indicators³⁾ for precise conditions please refer to: www.osram.com/am-guarantee

Product datasheet

Technical data

Product information

Order reference	LEDDMI 5K0 BK S
Application (Category and Product specific)	Side mirror indicator

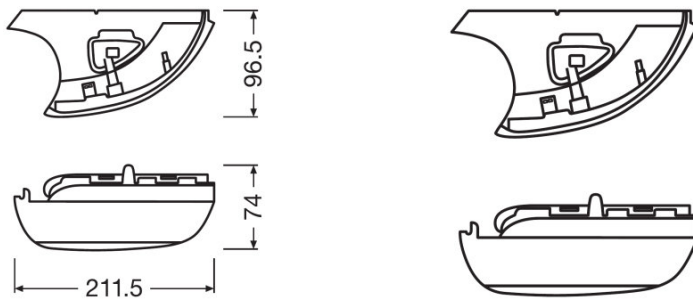
Electrical data

Test voltage	13.2 V
Nominal wattage	2.90 W
Nominal voltage	12.0 V

Photometrical data

Color temperature	2700 K
Intensity	min 0.6 cd

Dimensions & weight



Length	211.5 mm
Width	96.5 mm
Height	74.0 mm

Lifespan

Lifespan Tc	5000 h
Guarantee	5 years

Additional product data

Connector to lamp	Plug&Play
Product remark	Black Edition

Capabilities

Product datasheet

Technology	LED ¹⁾
------------	-------------------

¹⁾ Light-emitting diode application

Certificates & standards

Standards	ECE R6, R10
Approval marks – approval	E24 approval
Type of protection	IP6K9K

Country specific categorizations

Order reference	LEDDMI 5K0 BK S
-----------------	-----------------

Environmental information



Information according Art. 33 of EU Regulation (EC) 1907/2006 (REACH)	
Date of Declaration	11-10-2022
Primary Article Identifier	4062172149082
Declaration No. in SCIP database	In work

Logistical Data

Product code	Product description	Packaging unit (Pieces/Unit)	Dimensions (length x width x height)	Volume	Gross weight
4062172149082	LEDriving DMI for VW Golf VI	Folding carton box 1	300 mm x 98 mm x 210 mm	6.17 dm ³	197.00 g
4062172149099	LEDriving DMI for VW Golf VI	Shipping carton box 4	415 mm x 315 mm x 230 mm	30.07 dm ³	1168.00 g

The mentioned product code describes the smallest quantity unit which can be ordered. One shipping unit can contain one or more single products. When placing an order, for the quantity please enter single or multiples of a shipping unit.

Download Data

File
 User instruction DYNAMIC MIRROR INDICATOR
 360 Degree Image OSRAM LEDriving dynamic mirror indicators for VW Golf VI Black Edition

Legal advice:

Product datasheet

The LEDriving dynamic mirror indicators are fully ECE compliant for a replacement of OEM mirror indicators and therefore registration free. This does not include individual custom requirements of countries, in addition to the standardized ECE certification of the product.

- 1) Compared to the minimum requirements of ECE R6
- 2) Compared to other mirror indicators
- 3) for precise conditions please refer to: www.osram.com/am-guarantee

Application advice:

VW Golf VI (10/2008-08/2012)

VW Touran I (5/2010-05/2015)

Application advice:

For more detailed application information and graphics please see product datasheet.

Disclaimer:

Subject to change without notice. Errors and omission excepted. Always make sure to use the most recent release.

Application advice

For more detailed application information and graphics please see product datasheet.

Disclaimer

Subject to change without notice. Errors and omission excepted. Always make sure to use the most recent release.

The OSRAM logo is displayed in a bold, orange, sans-serif font.