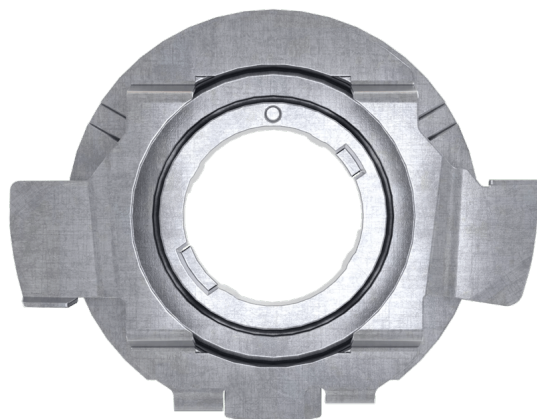


LEDDriving ADAPTER 64210DA01-1

Accessories for LED retrofit lamps



Making LED upgrades fit right in

The mounting brackets offer an easy installation and compatibility for a variety of cars. Compatibility can be checked on the OSRAM website.

Only the combination of OSRAM NIGHT BREAKER LED lamps in connection with the official OSRAM accessories - LEDDriving ADAPTER and LEDDriving SMART CANBUS (where required) - is permitted.

Product datasheet

Technical data

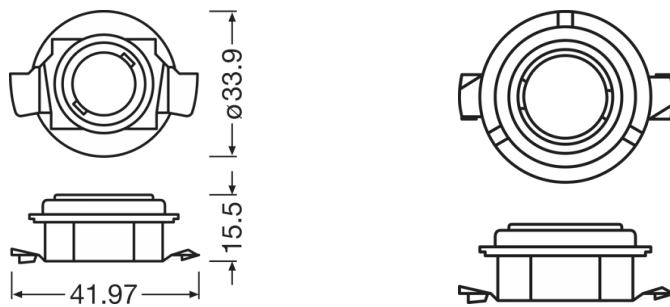
Product information

Application (Category and Product specific)	Accessories for LED retrofits
---	-------------------------------

General Product Information

Global order reference	64210DA01-1
------------------------	-------------

Physical Attributes & Dimensions



Diameter	22.5 mm
Diameter	22.5 mm
Product weight	2.50 g
Length	34.3 mm

Lifetime Data

Guarantee	3 years
-----------	---------

Capabilities

Technology	LED accessories
------------	-----------------

Environmental & Regulatory Information

Information according Art. 33 of EU Regulation (EC) 1907/2006 (REACH)	
Candidate list substance 1	Lead
CAS No. of substance 1	7439-92-1
Safe use instruction	The identification of the Candidate List substance is sufficient to allow safe use of the article.
Declaration no. in SCIP database	d9220da4-e075-4fd4-98a9-9cebe33869be



Product datasheet

Logistical Data

Product code	Product description	Packaging unit (Pieces/Unit)	Dimensions (length x width x height)	Volume	Gross weight
4062172206532	LEDriving Adapter 64210DA01-1	Folding carton box 2	100 mm x 80 mm x 60 mm	0.48 dm ³	28.00 g
4062172206549	LEDriving Adapter 64210DA01-1	Shipping carton box 20	415 mm x 109 mm x 134 mm	6.06 dm ³	408.00 g

The mentioned product code describes the smallest quantity unit which can be ordered. One shipping unit can contain one or more single products. When placing an order, for the quantity please enter single or multiples of a shipping unit.

Download Data

File
 User instruction LEDriving ADAPTER
 User instruction GPRS_Safety symbols instructions

Legal advice

Only the combination of OSRAM NIGHT BREAKER LED lamps in connection with the official OSRAM accessories - LEDriving ADAPTER and LEDriving SMART CANBUS (where required) - is permitted.

Application advice

For more detailed application information and graphics please see product datasheet.

Disclaimer

Subject to change without notice. Errors and omission excepted. Always make sure to use the most recent release.

OSRAM