

FX-QMS-G1-TU15H6W3

Accessories for Flexible LED strips



Product family features

- Can be easily combined with covers for homogeneous light distribution
- Clips for easy installation and maintenance
- Compatible with LINEARlight Flex and TEC Flex
- Ideal even for lighting in confined spaces
- Compatible with LINEARlight Flex and TEC Flex

Product family benefits

- Plenty of freedom for attractive design and perfect functioning
- Quick and easy installation
- Aluminum profile robust and corrosion-resistant thanks to anodization
- Minimum installation dimensions thanks to compact design

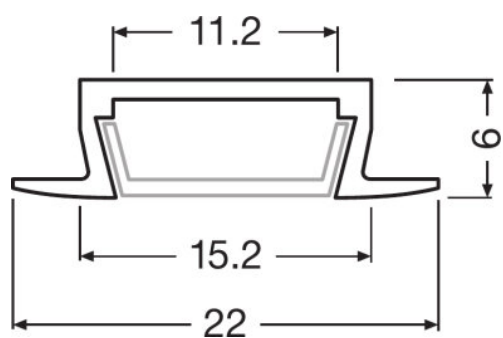
Product family datasheet

Technical data

Product description	Dimensions & weight				Logistical data
	Height	Width	Length	Product weight	Commodity code
FX-QMS-G1 -TU15H6W3-300	6.0 mm	22.0 mm	3000 mm	267.00 g	760429909000
FX-QMS-G1 -EFGP-TU15H6W3	6.0 mm	19.0 mm	22.0 mm	0.58 g	392690979000
FX-QMS-G1 -EFGH-TU15H6W3	6.0 mm	19.0 mm	22.0 mm	1.00 g	392690979000
FX-QMS-G1 -CFDB-300	4.0 mm	11.0 mm	3000 mm	51.75 g	391690509000
FX-QMS-G1 -CFTL-300	4.0 mm	12.0 mm	3000 mm	58.50 g	392690979000

Product description	Environmental information Information according Art. 33 of EU Regulation (EC) 1907/2006 (REACH)			
	Date of Declaration	Primary Article Identifier	Candidate List Substance 1	Declaration No. in SCIP database
FX-QMS-G1 -TU15H6W3-300	30-08-2022	4052899448889	No declarable substances contained	No declarable substances contained
FX-QMS-G1 -EFGP-TU15H6W3	30-08-2022	4052899449138	No declarable substances contained	No declarable substances contained
FX-QMS-G1 -EFGH-TU15H6W3	02-02-2022	4052899999947	No declarable substances contained	No declarable substances contained
FX-QMS-G1 -CFDB-300	30-08-2022	4052899446991	No declarable substances contained	No declarable substances contained
FX-QMS-G1 -CFTL-300	11-02-2022	4052899999749	No declarable substances contained	No declarable substances contained

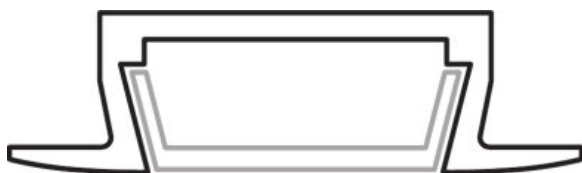
Product family datasheet



728417_TU15H6W3



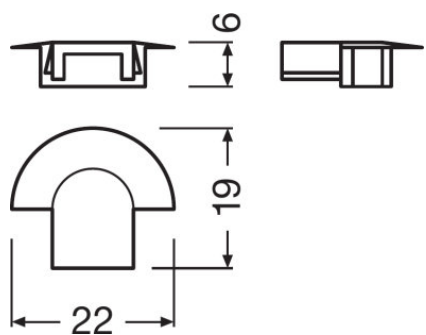
728998_FX-QMS-G1-TU15H6W3-300



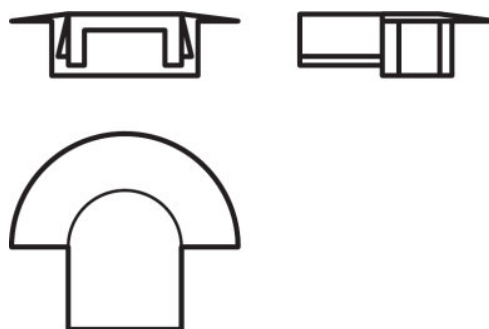
728449_TU15H6W3



729120_FX-QMS-G1-TU15H6W3-300

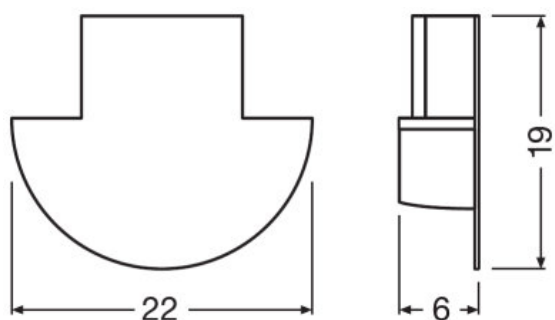


729004_FX-QMS-G1-EFGP-TU15H6W3

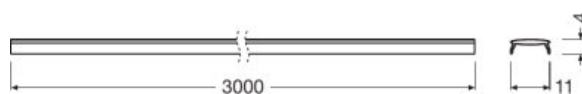


729072_FX-QMS-G1-EFGP-TU15H6W3

Product family datasheet



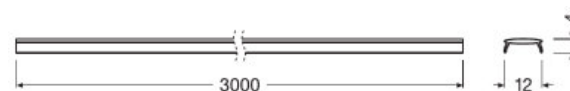
FX-QMS-G1-EFGH-TU15H6W3



729001_FX-QMS-G1-CFDB-300



729069_FX-QMS-G1-CFDB-300



FX-QMS-G1-CFTL-300



Application advice

For more detailed application information and graphics please see product datasheet.








Sales and Technical Support

Sales and Technical Support www.osram.com

Download Data

File	
	Product Datasheet Specification Sheet Slim Track FX-QMS-G1-TU15H6W3-300 (EN)
	Brochures Light is freedom of design (EN)

Product family datasheet

	CAD data CAD file slim profile TU15H6W3
	Product Datasheet Specification Sheet Slim Track FX-QMS-G1-T45D19H19-300 (EN)
	Product Datasheet Specification Sheet Slim Track FX-QMS-G1-TU15H6-300 (EN)
	Product Datasheet Specification Sheet Slim Track FX-QMS-G1-TU16H12LS-300 (EN)
	Product Datasheet Specification Sheet Slim Track FX-QMS-G1-TU16H12W3-300 (EN)
	Product Datasheet Specification Sheet Slim Track FX-QMS-G1-TU16H12-300 (EN)
	Product Datasheet Specification Sheet Wide Profile FX-QMS-G1-TR19H16-300

Logistical Data

Product code	Product description	Packaging unit (Pieces/Unit)	Dimensions (length x width x height)	Volume	Gross weight
4052899448889	FX-QMS-G1 -TU15H6W3-300	Shipping carton box 40	3020 mm x 100 mm x 100 mm	30.20 dm ³	11760.00 g
4052899449138	FX-QMS-G1 -EFGP-TU15H6W3	Shipping carton box 400	175 mm x 145 mm x 110 mm	2.79 dm ³	336.00 g
4052899999947	FX-QMS-G1 -EFGH-TU15H6W3	Shipping carton box 400	175 mm x 145 mm x 110 mm	2.79 dm ³	506.00 g
4052899446991	FX-QMS-G1 -CFDB-300	Shipping carton box 40	3060 mm x 225 mm x 225 mm	154.91 dm ³	3293.00 g
4052899999749	FX-QMS-G1 -CFTL-300	Shipping carton box 40	3020 mm x 80 mm x 30 mm	7.25 dm ³	2880.00 g

The mentioned product code describes the smallest quantity unit which can be ordered. One shipping unit can contain one or more single products. When placing an order, for the quantity please enter single or multiples of a shipping unit.

Accessories Optional

Product description	Accessory name	Accessory code
FX-QMS-G1 -TU15H6W3-300	FX-QMS-G1 -CFDB-300	▶ 4052899446991
FX-QMS-G1 -TU15H6W3-300	FX-QMS-G1 -EFGP-TU15H6W3	▶ 4052899449138
FX-QMS-G1 -TU15H6W3-300	FX-QMS-G1 -CFTL-300	▶ 4052899999749
FX-QMS-G1 -TU15H6W3-300	FX-QMS-G1 -EFGH-TU15H6W3	▶ 4052899999947

Product family datasheet

Disclaimer

Subject to change without notice. Errors and omission excepted. Always make sure to use the most recent release.