

FX-QMS-G1-T45D19H19

Accessories for Flexible LED strips



Product family features

- Can be easily combined with covers for homogeneous light distribution
- Clips for easy installation and maintenance
- Compatible with Linearlight Flex
- Ideal even for lighting in confined spaces
- Compatible with TEC Flex

Product family benefits

- Plenty of freedom for attractive design and perfect functioning
- Quick and easy installation
- Aluminum profile robust and corrosion-resistant thanks to anodization
- Minimum installation dimensions thanks to compact design

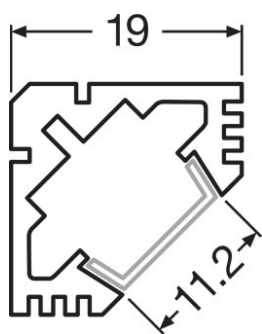
Product family datasheet

Technical data

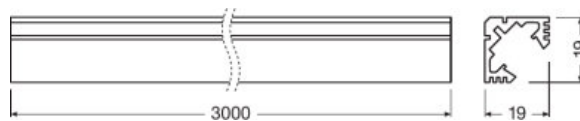
Product description	Dimensions & weight				Logistical data
	Height	Width	Length	Product weight	Commodity code
FX-QMS-G1 -T45D19H19-300	19.0 mm	19.0 mm	3000 mm	945.00 g	760429909000
FX-QMS-G1 -EFGP-T45D19H19	10.0 mm	17.5 mm	26.0 mm	0.80 g	392690979000
FX-QMS-G1 -BMZI-T45D19H19	9.5 mm	20.0 mm	20.0 mm	1.43 g	761699909900
FX-QMS-G1 -EFGH-T45D19H19	19.0 mm	10.0 mm	19.0 mm	1.00 g	392690979000
FX-QMS-G1 -CFDB-300	4.0 mm	11.0 mm	3000 mm	51.75 g	391690509000
FX-QMS-G1 -CFTL-300	4.0 mm	12.0 mm	3000 mm	58.50 g	392690979000

Product description	Environmental information Information according Art. 33 of EU Regulation (EC) 1907/2006 (REACH)			
	Date of Declaration	Primary Article Identifier	Candidate List Substance 1	Declaration No. in SCIP database
FX-QMS-G1 -T45D19H19-300	30-08-2022	4052899448667	No declarable substances contained	No declarable substances contained
FX-QMS-G1 -EFGP-T45D19H19	30-08-2022	4052899450028	No declarable substances contained	No declarable substances contained
FX-QMS-G1 -BMZI-T45D19H19	30-08-2022	4052899446960	No declarable substances contained	No declarable substances contained
FX-QMS-G1 -EFGH-T45D19H19	11-02-2022	4052899999862	No declarable substances contained	No declarable substances contained
FX-QMS-G1 -CFDB-300	30-08-2022	4052899446991	No declarable substances contained	No declarable substances contained
FX-QMS-G1 -CFTL-300	11-02-2022	4052899999749	No declarable substances contained	No declarable substances contained

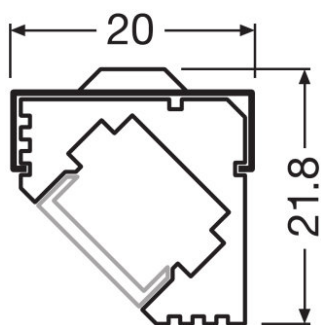
Product family datasheet



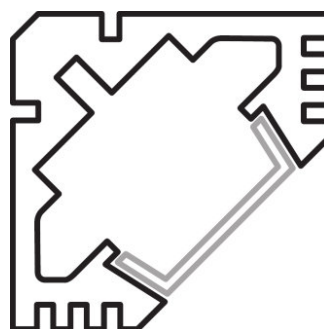
728409_T45D19H19



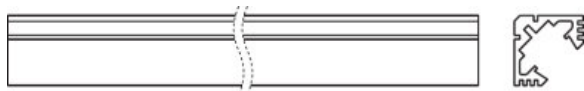
728989_FX-QMS-G1-T45D19H19-300



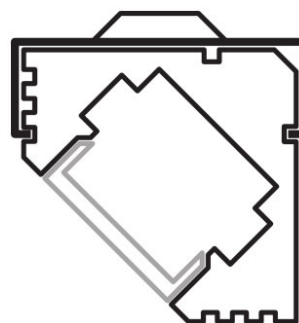
profileT45D19H19+bracket



728441_T45D19H19

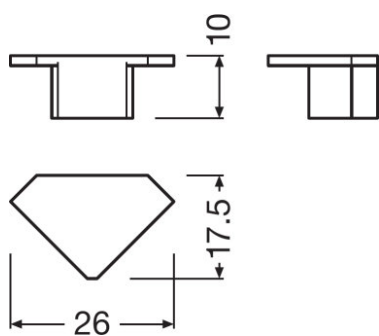


729056_FX-QMS-G1-T45D19H19-300

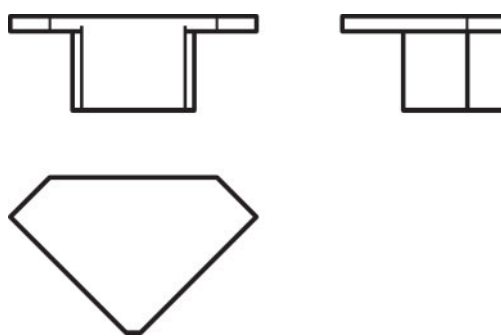


profileT45D19H19+bracket

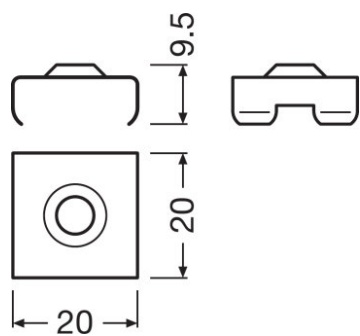
Product family datasheet



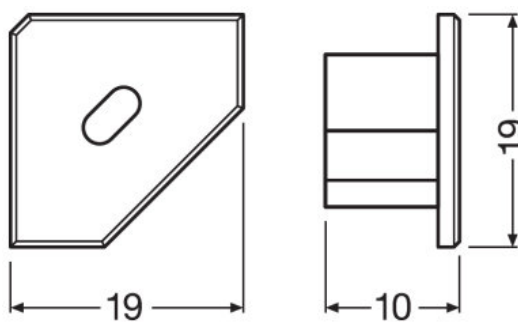
729009_FX-QMS-G1-EFGP-T45D19H19



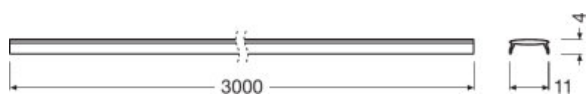
729077_FX-QMS-G1-EFGP-T45D19H19



729003_FX-QMS-G1-BMZI-T45D19H19



FX-QMS-G1-EFGH-T45D19H19

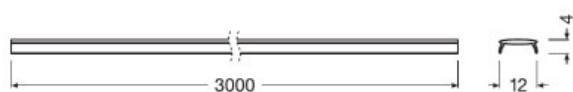


729001_FX-QMS-G1-CFDB-300



729069_FX-QMS-G1-CFDB-300

Product family datasheet



FX-QMS-G1-CFTL-300










Application advice

For more detailed application information and graphics please see product datasheet.

Sales and Technical Support

Sales and Technical Support www.osram.com

Download Data

File	
	Product Datasheet Specification Sheet Slim Track FX-QMS-G1-T45D19H19-300 (EN)
	Brochures Light is freedom of design (EN)
	CAD data CAD file slim profile T45D19H19
	Eulumdat Eulumdat_FX-QMS-G1-T45D19H19-300_CFDL
	Eulumdat Eulumdat_FX-QMS-G1-T45D19H19-300_CFDB
	Product Datasheet Specification Sheet Slim Track FX-QMS-G1-TU15H6-300 (EN)
	Product Datasheet Specification Sheet Slim Track FX-QMS-G1-TU15H6W3-300 (EN)
	Product Datasheet Specification Sheet Slim Track FX-QMS-G1-TU16H12LS-300 (EN)
	Product Datasheet Specification Sheet Slim Track FX-QMS-G1-TU16H12W3-300 (EN)

Product family datasheet



Product Datasheet
Specification Sheet Slim Track FX-QMS-G1-TU16H12-300 (EN)



Product Datasheet
Specification Sheet Wide Profile FX-QMS-G1-TR19H16-300

Logistical Data

Product code	Product description	Packaging unit (Pieces/Unit)	Dimensions (length x width x height)	Volume	Gross weight
4052899448667	FX-QMS-G1 - T45D19H19-300	Shipping carton box 4	3020 mm x 200 mm x 200 mm	120.80 dm ³	5720.00 g
4052899450028	FX-QMS-G1 -EFGP-T45D19H19	Shipping carton box 400	175 mm x 145 mm x 110 mm	2.79 dm ³	426.00 g
4052899446960	FX-QMS-G1 -BMZI-T45D19H19	Shipping carton box 400	175 mm x 145 mm x 110 mm	2.79 dm ³	676.00 g
4052899999862	FX-QMS-G1 -EFGH-T45D19H19	Shipping carton box 400	175 mm x 145 mm x 100 mm	2.54 dm ³	506.00 g
4052899446991	FX-QMS-G1 -CFDB-300	Shipping carton box 40	3060 mm x 225 mm x 225 mm	154.91 dm ³	3293.00 g
4052899999749	FX-QMS-G1 -CFTL-300	Shipping carton box 40	3020 mm x 80 mm x 30 mm	7.25 dm ³	2880.00 g

The mentioned product code describes the smallest quantity unit which can be ordered. One shipping unit can contain one or more single products. When placing an order, for the quantity please enter single or multiples of a shipping unit.

Accessories Optional

Product description	Accessory name	Accessory code
FX-QMS-G1 -T45D19H19-300	FX-QMS-G1 -CFDB-300	▶ 4052899446991
FX-QMS-G1 -T45D19H19-300	FX-QMS-G1 -EFGP-T45D19H19	▶ 4052899450028
FX-QMS-G1 -T45D19H19-300	FX-QMS-G1 -BMZI-T45D19H19	▶ 4052899446960
FX-QMS-G1 -T45D19H19-300	FX-QMS-G1 -CFTL-300	▶ 4052899999749
FX-QMS-G1 -T45D19H19-300	FX-QMS-G1 -EFGH-T45D19H19	▶ 4052899999862

Disclaimer

Subject to change without notice. Errors and omission excepted. Always make sure to use the most recent release.