

## FX-QMS-G1 -BMZI-T45D19H19

FX-QMS-G1-T45D19H19 | Accessories for Flexible LED strips



### Product family features

- Can be easily combined with covers for homogeneous light distribution
- Clips for easy installation and maintenance
- Compatible with Linearlight Flex
- Ideal even for lighting in confined spaces
- Compatible with TEC Flex

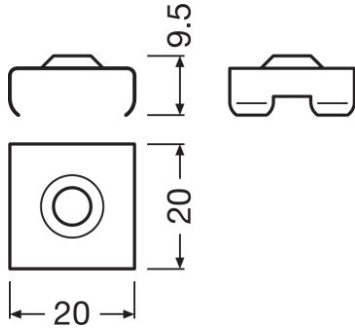
### Product family benefits

- Plenty of freedom for attractive design and perfect functioning
- Quick and easy installation
- Aluminum profile robust and corrosion-resistant thanks to anodization
- Minimum installation dimensions thanks to compact design

## Product datasheet

### Technical data

#### Dimensions & weight



Product weight	1.43 g
Length	20.0 mm
Width	20.0 mm
Height	9.5 mm



#### Logistical data

Commodity code	761699909900
----------------	--------------

#### Environmental information

Information according Art. 33 of EU Regulation (EC) 1907/2006 (REACH)	
Date of Declaration	30-08-2022
Primary Article Identifier	4052899446960
Candidate List Substance 1	No declarable substances contained
Declaration No. in SCIP database	No declarable substances contained

### Download Data

File
 Product Datasheet Specification Sheet Slim Track FX-QMS-G1-T45D19H19-300 (EN)
 Brochures Light is freedom of design (EN)

## Product datasheet

---

### Logistical Data

Product code	Product description	Packaging unit (Pieces/Unit)	Dimensions (length x width x height)	Volume	Gross weight
4052899446960	FX-QMS-G1 -BMZI-T45D19H19	Shipping carton box 400	175 mm x 145 mm x 110 mm	2.79 dm <sup>3</sup>	676.00 g

---

The mentioned product code describes the smallest quantity unit which can be ordered. One shipping unit can contain one or more single products. When placing an order, for the quantity please enter single or multiples of a shipping unit.

---

### Disclaimer

Subject to change without notice. Errors and omission excepted. Always make sure to use the most recent release.