

FX-QMS-G1-TU16H12

Accessories for Flexible LED strips



Product family features

- Can be easily combined with covers for homogeneous light distribution
- Clips for easy installation and maintenance
- Compatible with Linearlight Flex
- Ideal even for lighting in confined spaces
- Compatible with TEC Flex

Product family benefits

- Plenty of freedom for attractive design and perfect functioning
- Quick and easy installation
- Aluminum profile robust and corrosion-resistant thanks to anodization
- Minimum installation dimensions thanks to compact design

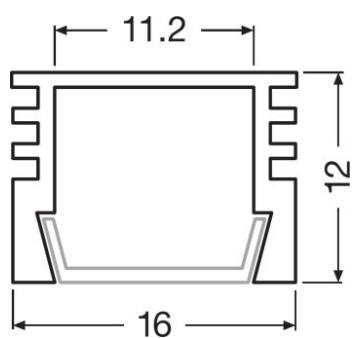
Product family datasheet

Technical data

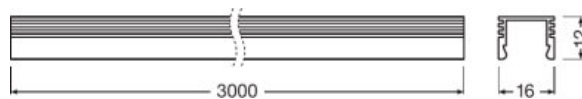
Product description	Dimensions & weight				Logistical data
	Height	Width	Length	Product weight	Commodity code
FX-QMS-G1 -TU16H12-300	12.0 mm	16.0 mm	3000 mm	420.00 g	760429909000
FX-QMS-G1 -EFGP-TU16H12LS	12.0 mm	9.5 mm	16.0 mm	0.70 g	392690979000
FX-QMS-G1 -EFGH-TU16H12LS	9.5 mm	16.0 mm	16.0 mm	1.00 g	392690979000
FX-QMS-G1 -CFDB-300	4.0 mm	11.0 mm	3000 mm	51.75 g	391690509000
FX-QMS-G1 -CFTL-300	4.0 mm	12.0 mm	3000 mm	58.50 g	392690979000
ADJUSTABLESLIMBRACKET	9.5 mm	20.0 mm	17.0 mm	2.00 g	761699909900
FX-QMS-G1 -BMZI-DIV1	9.5 mm	20.0 mm	17.0 mm	1.40 g	761699909900

Product description	Environmental information Information according Art. 33 of EU Regulation (EC) 1907/2006 (REACH)			
	Date of Declaration	Primary Article Identifier	Candidate List Substance 1	Declaration No. in SCIP database
FX-QMS-G1 -TU16H12-300	30-08-2022	4052899448964	No declarable substances contained	No declarable substances contained
FX-QMS-G1 -EFGP-TU16H12LS	30-08-2022	4052899449183	No declarable substances contained	No declarable substances contained
FX-QMS-G1 -EFGH-TU16H12LS	11-02-2022	4052899999848	No declarable substances contained	No declarable substances contained
FX-QMS-G1 -CFDB-300	30-08-2022	4052899446991	No declarable substances contained	No declarable substances contained
FX-QMS-G1 -CFTL-300	11-02-2022	4052899999749	No declarable substances contained	No declarable substances contained
ADJUSTABLESLIMBRACKET	11-02-2022	4052899600010	No declarable substances contained	No declarable substances contained
FX-QMS-G1 -BMZI-DIV1	30-08-2022	4052899446861	No declarable substances contained	No declarable substances contained

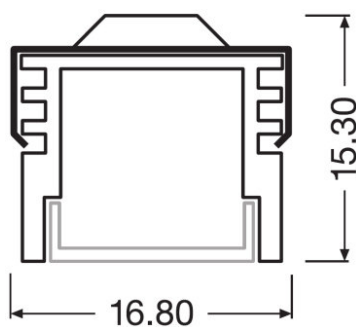
Product family datasheet



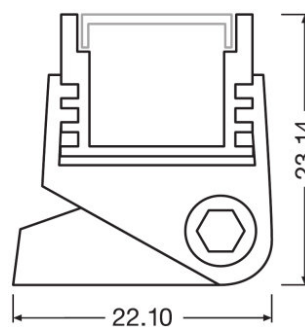
728418_TU16H12



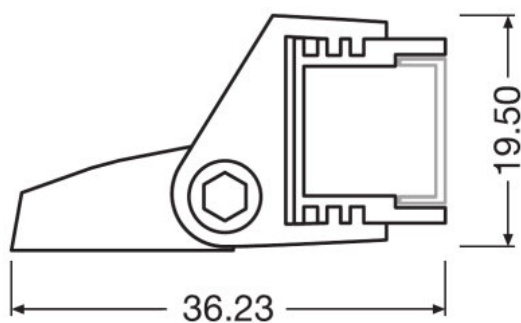
730228_FX-QMS-G1-TU16H12-300



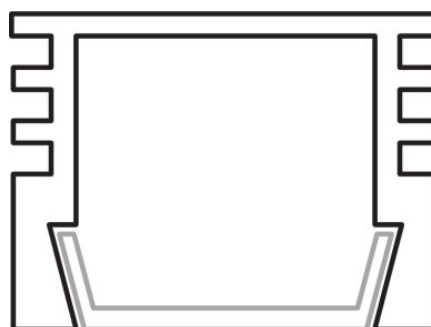
TU16H12 profile + bracket



TU16H12 profile + tiltable bracket

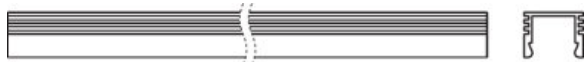


TU16H12 profile + tiltable bracket 90°

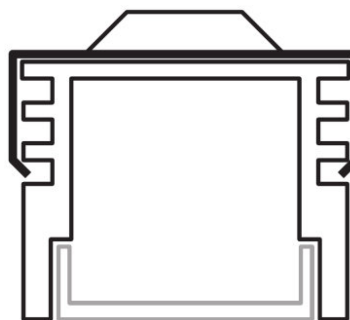


728450_TU16H12

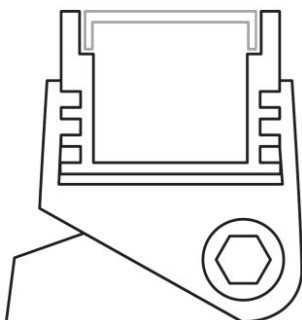
Product family datasheet



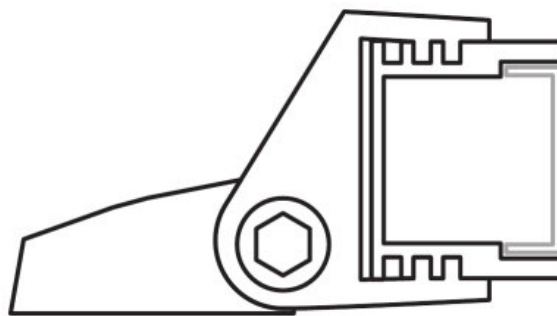
730234_FX-QMS-G1-TU16H12-300



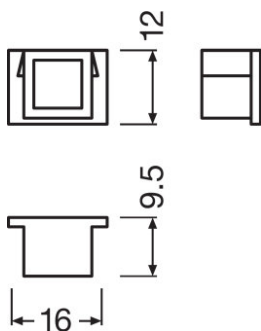
TU16H12 profile + bracket



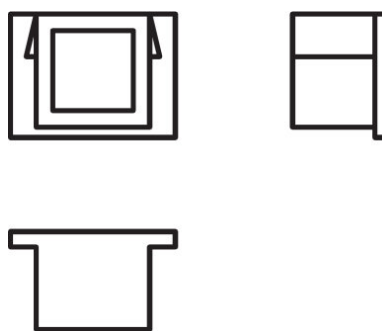
TU16H12 profile + tiltable bracket



TU16H12 profile + tiltable bracket 90°

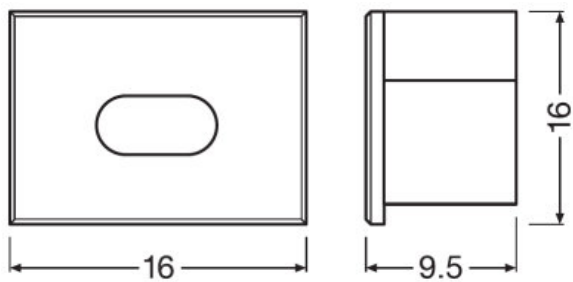


729005_FX-QMS-G1-EFGP-TU16H12LS



729073_FX-QMS-G1-EFGP-TU16H12LS

Product family datasheet



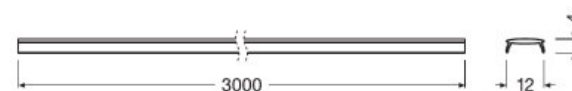
FX-QMS-G1-EFGH-TU16H12LS



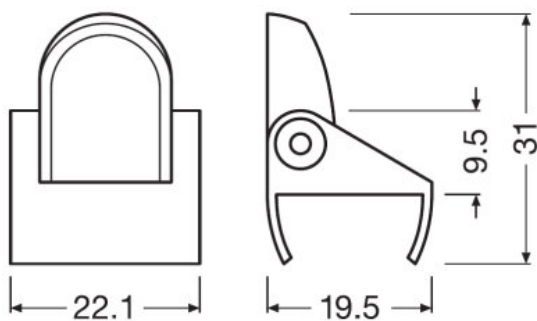
729001_FX-QMS-G1-CFDB-300



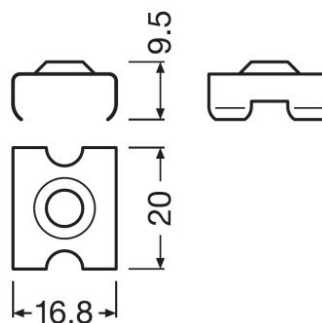
729069_FX-QMS-G1-CFDB-300



FX-QMS-G1-CFTL-300

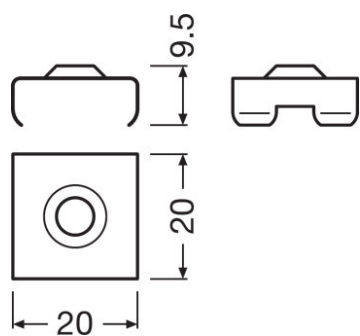


ADJUSTABLESLIMBRACKET

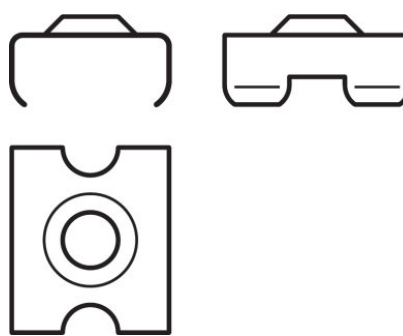


729002_FX-QMS-G1-BMZI-DIV1

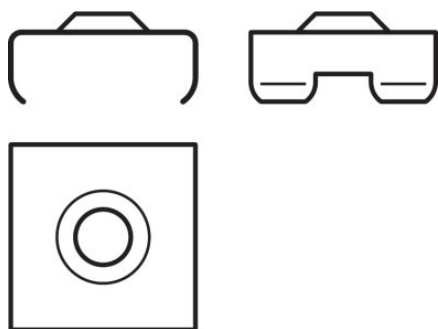
Product family datasheet



729003_FX-QMS-G1-BMZI-T45D19H19



729070_FX-QMS-G1-BMZI-DIV1



729071_FX-QMS-G1-BMZI-T45D19H19



Application advice

For more detailed application information and graphics please see product datasheet.










Sales and Technical Support

Sales and Technical Support www.osram.com

Download Data

File	
	Product Datasheet Specification Sheet_Slim Track FX-QMS-G1-TU16H12-300 (EN)
	Brochures Light is freedom of design (EN)

Product family datasheet

	CAD data CAD file slim profile TU16H12
	Eulumdat Eulumdat_FX-QMS-G1-TU16H12-300_CFDL
	Eulumdat Eulumdat_FX-QMS-G1-TU16H12-300_CFDB
	Product Datasheet Specification Sheet Slim Track FX-QMS-G1-TU16H12LS-300 (EN)
	Product Datasheet Specification Sheet Slim Track FX-QMS-G1-T45D19H19-300 (EN)
	Product Datasheet Specification Sheet Slim Track FX-QMS-G1-TU15H6-300 (EN)
	Product Datasheet Specification Sheet Slim Track FX-QMS-G1-TU15H6W3-300 (EN)
	Product Datasheet Specification Sheet Slim Track FX-QMS-G1-TU16H12W3-300 (EN)
	Product Datasheet Specification Sheet Wide Profile FX-QMS-G1-TR19H16-300

Logistical Data

Product code	Product description	Packaging unit (Pieces/Unit)	Dimensions (length x width x height)	Volume	Gross weight
4052899448964	FX-QMS-G1 -TU16H12-300	Shipping carton box 20	3020 mm x 100 mm x 100 mm	30.20 dm ³	9420.00 g
4052899449183	FX-QMS-G1 -EFGP-TU16H12LS	Shipping carton box 400	175 mm x 145 mm x 110 mm	2.79 dm ³	386.00 g
4052899999848	FX-QMS-G1 -EFGH-TU16H12LS	Shipping carton box 400	175 mm x 145 mm x 110 mm	2.79 dm ³	506.00 g
4052899446991	FX-QMS-G1 -CFDB-300	Shipping carton box 40	3060 mm x 225 mm x 225 mm	154.91 dm ³	3293.00 g
4052899999749	FX-QMS-G1 -CFTL-300	Shipping carton box 40	3020 mm x 80 mm x 30 mm	7.25 dm ³	2880.00 g
4052899600010	ADJUSTABLESLIMBRACK ET	Shipping carton box 400	175 mm x 145 mm x 110 mm	2.79 dm ³	1087.00 g
4052899446861	FX-QMS-G1 -BMZI-DIV1	Shipping carton box 400	175 mm x 145 mm x 110 mm	2.79 dm ³	847.00 g

The mentioned product code describes the smallest quantity unit which can be ordered. One shipping unit can contain one or more single products. When placing an order, for the quantity please enter single or multiples of a shipping unit.

Accessories Optional

Product description	Accessory name	Accessory code
---------------------	----------------	----------------

Product family datasheet

FX-QMS-G1 -TU16H12-300	FX-QMS-G1 -CFDB-300	▶ 4052899446991
FX-QMS-G1 -TU16H12-300	FX-QMS-G1 -BMZI-DIV1	▶ 4052899446861
FX-QMS-G1 -TU16H12-300	FX-QMS-G1 -EFGP-TU16H12LS	▶ 4052899449183
FX-QMS-G1 -TU16H12-300	FX-QMS-G1 -CFTL-300	▶ 4052899999749
FX-QMS-G1 -TU16H12-300	FX-QMS-G1 -EFGH-TU16H12LS	▶ 4052899999848
FX-QMS-G1 -TU16H12-300	ADJUSTABLESLIMBRACKET	▶ 4052899600010

Disclaimer

Subject to change without notice. Errors and omission excepted. Always make sure to use the most recent release.