

## FX-QMS-G1-TU16H12W3

### Accessories for Flexible LED strips



#### Product family features

- Can be easily combined with covers for homogeneous light distribution
- Clips for easy installation and maintenance
- Compatible with Linearlight Flex
- Ideal even for lighting in confined spaces
- Compatible with TEC Flex

#### Product family benefits

- Plenty of freedom for attractive design and perfect functioning
- Quick and easy installation
- Aluminum profile robust and corrosion-resistant thanks to anodization
- Minimum installation dimensions thanks to compact design

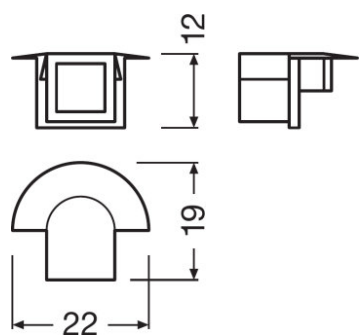
## Product family datasheet

### Technical data

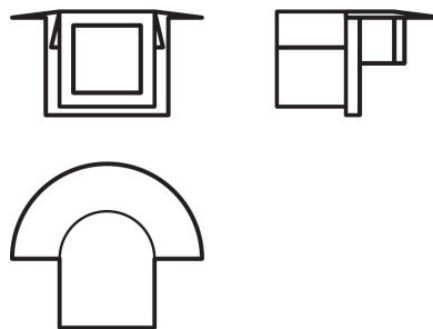
Product description	Dimensions & weight				Logistical data
	Height	Width	Length	Product weight	Commodity code
FX-QMS-G1 -EFGP-TU16H12W3	12.0 mm	19.0 mm	22.0 mm	0.93 g	392690979000
FX-QMS-G1 -TU16H12W3-300	12.0 mm	16.0 mm	3000 mm	468.00 g	760429909000
FX-QMS-G1 -EFGH-TU16H12W3	12.0 mm	19.0 mm	22.0 mm	1.00 g	392690979000
FX-QMS-G1 -CFDB-300	4.0 mm	11.0 mm	3000 mm	51.75 g	391690509000
FX-QMS-G1 -CFTL-300	4.0 mm	12.0 mm	3000 mm	58.50 g	392690979000

Product description	Environmental information Information according Art. 33 of EU Regulation (EC) 1907/2006 (REACH)			
	Date of Declaration	Primary Article Identifier	Candidate List Substance 1	Declaration No. in SCIP database
FX-QMS-G1 -EFGP-TU16H12W3	30-08-2022	4052899449817	No declarable substances contained	No declarable substances contained
FX-QMS-G1 -TU16H12W3-300	30-08-2022	4052899448988	No declarable substances contained	No declarable substances contained
FX-QMS-G1 -EFGH-TU16H12W3	02-02-2022	4052899999886	No declarable substances contained	No declarable substances contained
FX-QMS-G1 -CFDB-300	30-08-2022	4052899446991	No declarable substances contained	No declarable substances contained
FX-QMS-G1 -CFTL-300	11-02-2022	4052899999749	No declarable substances contained	No declarable substances contained

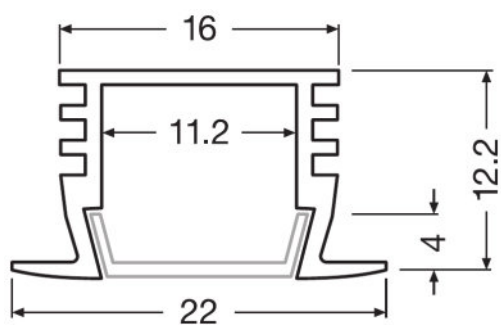
Product family datasheet



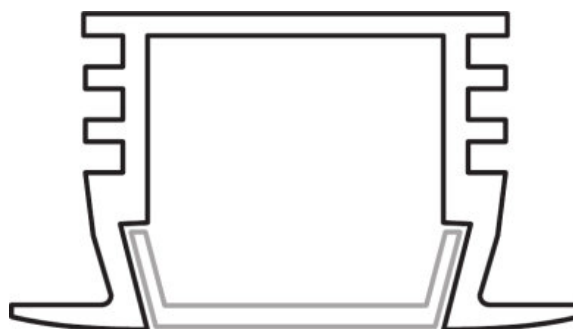
729008\_FX-QMS-G1-EFGP-TU16H12W3



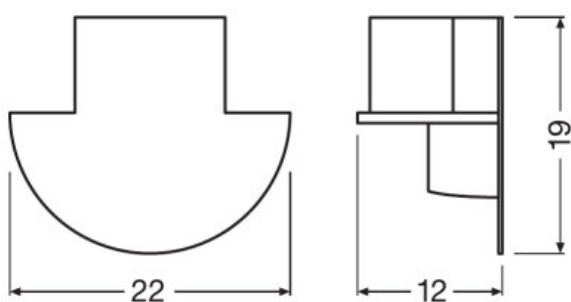
729076\_FX-QMS-G1-EFGP-TU16H12W3



728419\_TU16H12W3-300



728451\_TU16H12W3-300



FX-QMS-G1-EFGH-TU16H12W3



729001\_FX-QMS-G1-CFDB-300

## Product family datasheet



729069\_FX-QMS-G1-CFDB-300

FX-QMS-G1-CFTL-300










### Application advice

For more detailed application information and graphics please see product datasheet.

### Sales and Technical Support

Sales and Technical Support [www.osram.com](http://www.osram.com)

### Download Data

File	
	Product Datasheet Specification Sheet Slim Track FX-QMS-G1-TU15H6W3-300 (EN)
	Brochures Light is freedom of design (EN)
	Product Datasheet Specification Sheet Slim Track FX-QMS-G1-TU16H12W3-300 (EN)
	CAD data CAD file slim profile TU16H12W3
	Product Datasheet Specification Sheet Slim Track FX-QMS-G1-T45D19H19-300 (EN)
	Product Datasheet Specification Sheet Slim Track FX-QMS-G1-TU15H6-300 (EN)
	Product Datasheet Specification Sheet Slim Track FX-QMS-G1-TU16H12LS-300 (EN)
	Product Datasheet Specification Sheet Slim Track FX-QMS-G1-TU16H12-300 (EN)
	Product Datasheet Specification Sheet Wide Profile FX-QMS-G1-TR19H16-300

## Product family datasheet

### Logistical Data

Product code	Product description	Packaging unit (Pieces/Unit)	Dimensions (length x width x height)	Volume	Gross weight
4052899449817	FX-QMS-G1 -EFGP-TU16H12W3	Shipping carton box 400	175 mm x 145 mm x 110 mm	2.79 dm <sup>3</sup>	476.00 g
4052899448988	FX-QMS-G1 - TU16H12W3-300	Shipping carton box 20	3020 mm x 100 mm x 100 mm	30.20 dm <sup>3</sup>	10380.00 g
4052899999886	FX-QMS-G1 -EFGH-TU16H12W3	Shipping carton box 400	175 mm x 145 mm x 110 mm	2.79 dm <sup>3</sup>	506.00 g
4052899446991	FX-QMS-G1 -CFDB-300	Shipping carton box 40	3060 mm x 225 mm x 225 mm	154.91 dm <sup>3</sup>	3293.00 g
4052899999749	FX-QMS-G1 -CFTL-300	Shipping carton box 40	3020 mm x 80 mm x 30 mm	7.25 dm <sup>3</sup>	2880.00 g

The mentioned product code describes the smallest quantity unit which can be ordered. One shipping unit can contain one or more single products. When placing an order, for the quantity please enter single or multiples of a shipping unit.

### Accessories Optional

Product description	Accessory name	Accessory code
FX-QMS-G1 -TU16H12W3-300	FX-QMS-G1 -CFDB-300	▶ 4052899446991
FX-QMS-G1 -TU16H12W3-300	FX-QMS-G1 -EFGP-TU16H12W3	▶ 4052899449817
FX-QMS-G1 -TU16H12W3-300	FX-QMS-G1 -CFTL-300	▶ 4052899999749
FX-QMS-G1 -TU16H12W3-300	FX-QMS-G1 -EFGH-TU16H12W3	▶ 4052899999886

### Disclaimer

Subject to change without notice. Errors and omission excepted. Always make sure to use the most recent release.