

FX-QMW-G1 -EFGP-TU26H25W2

FX-QMW-G1-TU26H25W2 | Accessories for Flexible LED strips



Product family features

- Can be easily combined with covers for homogeneous light distribution
- Clips for easy installation and maintenance
- Compatible with Linearlight Flex
- Ideal even for lighting in confined spaces
- Compatible with TEC Flex

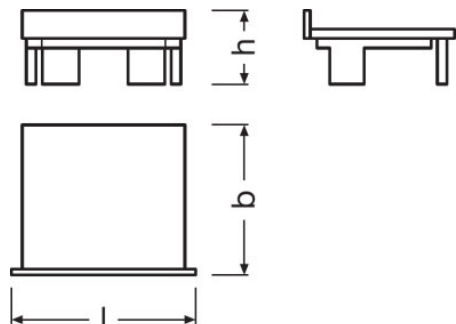
Product family benefits

- Plenty of freedom for attractive design and perfect functioning
- Quick and easy installation
- Aluminum profile robust and corrosion-resistant thanks to anodization
- Minimum installation dimensions thanks to compact design

Product datasheet

Technical data

Dimensions & weight



Product weight	1.30 g
Length	30.0 mm
Width	24.5 mm
Height	12.0 mm



Logistical data

Commodity code	392690979000
----------------	--------------

Environmental information

Information according Art. 33 of EU Regulation (EC) 1907/2006 (REACH)	
Date of Declaration	30-08-2022
Primary Article Identifier	4052899450219
Candidate List Substance 1	No declarable substances contained
Declaration No. in SCIP database	No declarable substances contained

Download Data

File	
	Product Datasheet Specification Sheet Wide Track FX-QMW-G1-TU26H25W2-300 (EN)
	Brochures Light is freedom of design (EN)

Product datasheet

Logistical Data

Product code	Product description	Packaging unit (Pieces/Unit)	Dimensions (length x width x height)	Volume	Gross weight
4052899450219	FX-QMW-G1 -EFGP-TU26H25W2	Shipping carton box 400	250 mm x 245 mm x 180 mm	11.03 dm ³	840.00 g

The mentioned product code describes the smallest quantity unit which can be ordered. One shipping unit can contain one or more single products. When placing an order, for the quantity please enter single or multiples of a shipping unit.

Disclaimer

Subject to change without notice. Errors and omission excepted. Always make sure to use the most recent release.