

## FX-QMW-G1-TK30D46H27

### Accessories for Flexible LED strips



#### Product family features

- Can be easily combined with covers for homogeneous light distribution
- Clips for easy installation and maintenance
- Compatible with Linearlight Flex
- Ideal even for lighting in confined spaces
- Compatible with TEC Flex

#### Product family benefits

- Plenty of freedom for attractive design and perfect functioning
- Quick and easy installation
- Aluminum profile robust and corrosion-resistant thanks to anodization
- Minimum installation dimensions thanks to compact design

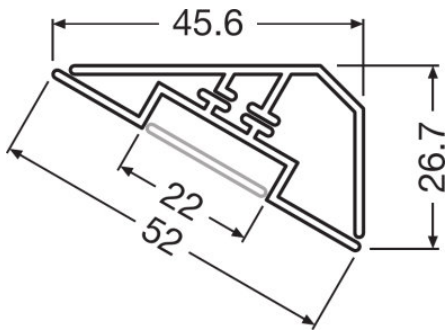
## Product family datasheet

### Technical data

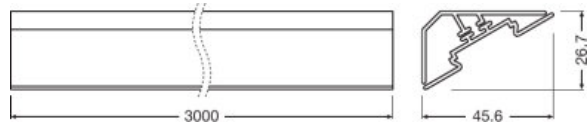
Product description	Dimensions & weight				Logistical data
	Height	Width	Length	Product weight	Commodity code
FX-QMW-G1 -TK30D46H27-300	26.7 mm	45.6 mm	3000 mm	1287.00 g	760429909000
FX-QMW-G1 -EFGP-L-TK30D46H27	8.0 mm	26.7 mm	45.6 mm	1.80 g	392690979000
FX-QMW-G1 -EFGP-R-TK30D46H27	8.0 mm	26.7 mm	45.6 mm	1.80 g	392690979000
FX-QMW-G1 -CFDB-300	4.0 mm	22.0 mm	3000 mm	96.00 g	391690509000
FX-QMW-G1 -CRD-300	20.0 mm	24.0 mm	3000 mm	282.00 g	391690509000
FX-QMW-G1 -CFTP-300	2.0 mm	22.0 mm	3000 mm	15.90 g	392690979000
FX-QMW-G1 -XCLPL1-DIV1	6.0 mm	6.0 mm	9.0 mm	0.14 g	392690979000

Product description	Environmental information Information according Art. 33 of EU Regulation (EC) 1907/2006 (REACH)			
	Date of Declaration	Primary Article Identifier	Candidate List Substance 1	Declaration No. in SCIP database
FX-QMW-G1 -TK30D46H27-300	30-08-2022	4052899448827	No declarable substances contained	No declarable substances contained
FX-QMW-G1 -EFGP-L-TK30D46H27	30-08-2022	4052899450059		In work
FX-QMW-G1 -EFGP-R-TK30D46H27	30-08-2022	4052899449909		In work
FX-QMW-G1 -CFDB-300	30-08-2022	4052899447806	No declarable substances contained	No declarable substances contained
FX-QMW-G1 -CRD-300	30-08-2022	4052899447035	No declarable substances contained	No declarable substances contained
FX-QMW-G1 -CFTP-300	02-02-2022	4052899999787	No declarable substances contained	No declarable substances contained
FX-QMW-G1 -XCLPL1-DIV1	30-08-2022	4052899446731	No declarable substances contained	No declarable substances contained

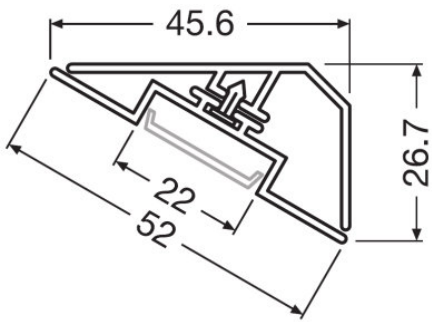
Product family datasheet



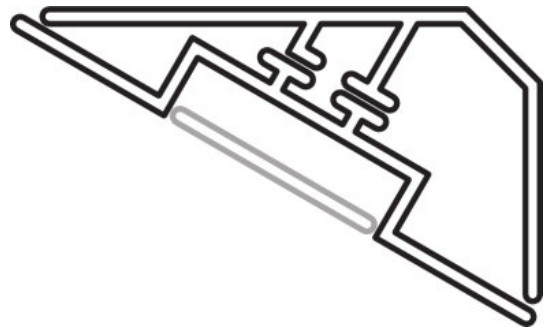
728414\_TK30D46H27



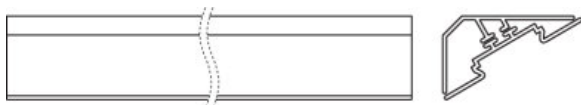
728993\_FX-QMW-G1-TK30D46H27-300



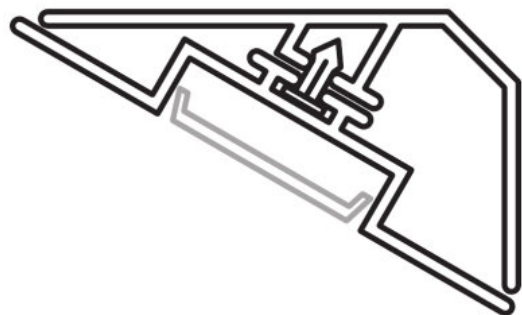
TK30D46H27 profile with clip



728446\_TK30D46H27

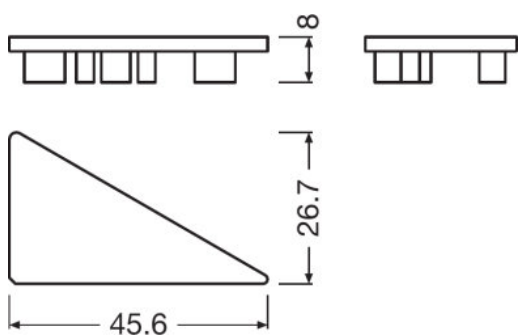


729060\_FX-QMW-G1-TK30D46H27-300

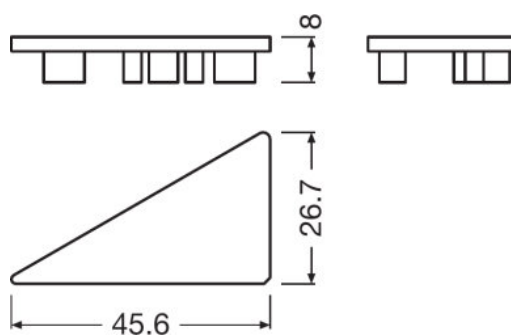


TK30D46H27 profile with clip

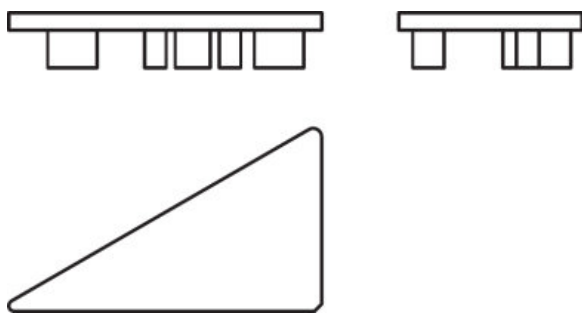
## Product family datasheet



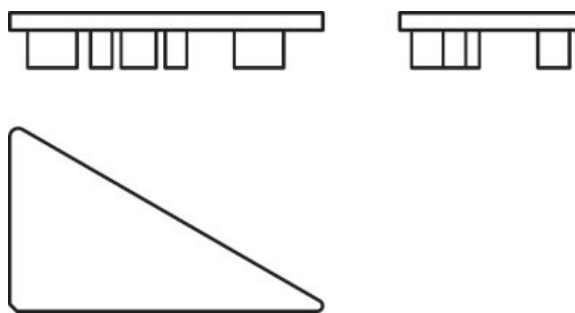
729012\_FX-QMW-G1-EFGP-TK30D46H27



729109\_FX-QMW-G1-EFGP-TK30D46H27



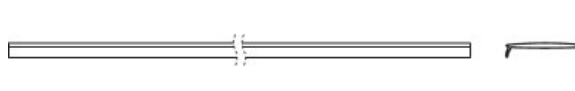
729080\_FX-QMW-G1-EFGP-TK30D46H27



729123\_FX-QMW-G1-EFGP-TK30D46H27

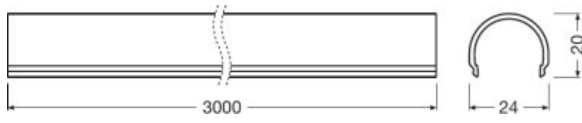


729112\_FX-QMW-G1-CFDB-300



729089\_FX-QMW-G1-CFDB-300

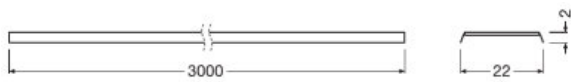
# Product family datasheet



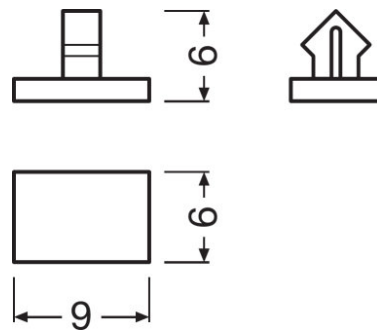
729000\_FX-QMW-G1-CRD-300



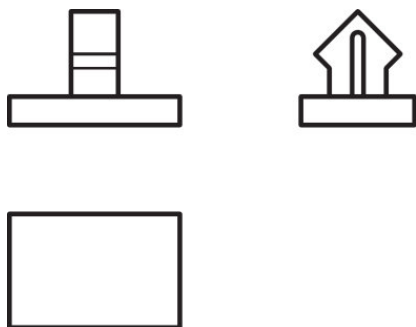
729067\_FX-QMW-G1-CRD-300



FX-QMW-G1-CFTP-300



729019\_FX-QMW-G1-XCLPL1-DIV1



729091\_FX-QMW-G1-XCLPL1-DIV1

## Product family datasheet









### Application advice

For more detailed application information and graphics please see product datasheet.

### Sales and Technical Support

Sales and Technical Support [www.osram.com](http://www.osram.com)

### Download Data

File	
	Product Datasheet Specification Sheet_Wide Track FX-QMW-G1-TK30D46H27-300 (EN)
	Brochures Light is freedom of design (EN)
	Eulumdat Eulumdat_FX-QMW-G1-TK30D46H27-300_CFDDB
	Eulumdat Eulumdat_FX-QMW-G1-TK30D46H27-300_CRD
	Product Datasheet Specification Sheet Wide Track FX-QMW-G1-TU26H25W2-300 (EN)
	Product Datasheet Specification Sheet Wide Track FX-QMW-G1-TU26H25-300 (EN)
	Product Datasheet Specification Sheet Wide Track FX-QMW-G1-TU26H25W10-300
	Product Datasheet Specification Sheet_Wide Track FX-QMW-G1-TU26H8-300 (EN)

### Logistical Data

Product code	Product description	Packaging unit (Pieces/Unit)	Dimensions (length x width x height)	Volume	Gross weight
4052899448827	FX-QMW-G1 - TK30D46H27-300	Shipping carton box 10	3020 mm x 150 mm x 150 mm	67.95 dm <sup>3</sup>	14330.00 g
4052899450059	FX-QMW-G1 -EFGP-L- TK30D46H27	Shipping carton box 400	250 mm x 245 mm x 180 mm	11.03 dm <sup>3</sup>	1040.00 g
4052899449909	FX-QMW-G1 -EFGP-R- TK30D46H27	Shipping carton box 400	250 mm x 245 mm x 180 mm	11.03 dm <sup>3</sup>	1040.00 g
4052899447806	FX-QMW-G1 -CFDB-300	Shipping carton box 40	3020 mm x 80 mm x 30 mm	7.25 dm <sup>3</sup>	4380.00 g
4052899447035	FX-QMW-G1 -CRD-300	Shipping carton box 40	3020 mm x 200 mm x 200 mm	120.80 dm <sup>3</sup>	13300.00 g

## Product family datasheet

### Logistical Data

405289999787	FX-QMW-G1 -CFTP-300	Shipping carton box 40	3020 mm x 80 mm x 30 mm	7.25 dm <sup>3</sup>	1176.00 g
4052899446731	FX-QMW-G1 -XCLPL1- DIV1	Shipping carton box 400	47 mm x 57 mm x 175 mm	0.47 dm <sup>3</sup>	98.00 g

The mentioned product code describes the smallest quantity unit which can be ordered. One shipping unit can contain one or more single products. When placing an order, for the quantity please enter single or multiples of a shipping unit.

### Accessories Optional

Product description	Accessory name	Accessory code
FX-QMW-G1 -TK30D46H27-300	FX-QMW-G1 -XCLPL1-DIV1	▶ 4052899446731
FX-QMW-G1 -TK30D46H27-300	FX-QMW-G1 -CFDB-300	▶ 4052899447806
FX-QMW-G1 -TK30D46H27-300	FX-QMW-G1 -CRD-300	▶ 4052899447035
FX-QMW-G1 -TK30D46H27-300	FX-QMW-G1 -EFGP-L-TK30D46H27	▶ 4052899450059
FX-QMW-G1 -TK30D46H27-300	FX-QMW-G1 -EFGP-R-TK30D46H27	▶ 4052899449909
FX-QMW-G1 -TK30D46H27-300	FX-QMW-G1 -CFTP-300	▶ 405289999787

### Disclaimer

Subject to change without notice. Errors and omission excepted. Always make sure to use the most recent release.