

# LEDinspect MINI250

Inspectionlights



Multi-Angle  
Light output

### Multi-Angle Light Output

High flexibility and diverse adjustment possibilities thanks to multi angle positioning



250  
Lumen

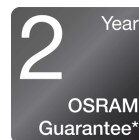
### 250 Lumen

3 light functions: Up to 250lm -high Up to 130lm - low Up to 70lm -torchlight



### USB-Cable & Power Plug

Rechargeable battery. USB charging cable and power plug are included in the scope of supply



2 Year  
OSRAM  
Guarantee\*

### 2-year-OSRAM guarantee\*

Systematic quality assurance measures underpin the premium workmanship and functionality of our products. Innovative technology and excellent quality really pay dividends for our customers.

## Product datasheet



### Light is versatile

This high-quality inspection light from OSRAM is perfect for professional and private use. With three light functions - high with up to 250lm, low with up to 130lm and torchlight function with up to 70lm, there is a light output to suit the task at hand. The 180° flex base gives further flexibility to be able to adjust the lightbeam where needed. The inspection light is rechargeable, and the integrated charge level indicator shows the current status of the battery with up to 3h operating time at high power or up to 6h at low power. A USB Type-C charging cable and the corresponding power adaptor are included in the scope of supply. In accordance with IP65 protection rating, this inspection light has protection against dust and water ingress and is tested for impact resistance in accordance with IK07. This LED light is easy to carry, has a non-slip and dirt-repellent surface, includes an integrated hook & magnets for hands-free work and easy attachment, making it ideal for craft activities, car repairs and in everyday life. In addition, OSRAM provides a 2-year guarantee on this product\*

# Product datasheet

## Technical data

### Product information

Application (Category and Product specific)	LED inspection lights
---	-----------------------

### General Product Information

Global order reference	LEDIL401
------------------------	----------

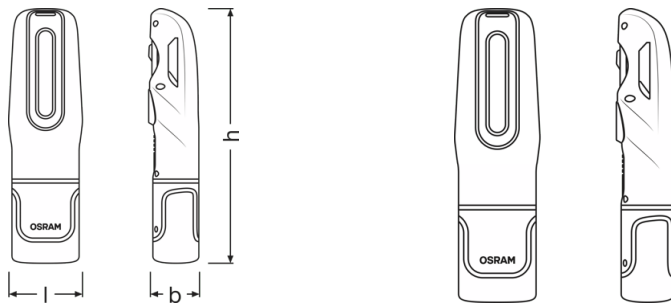
### Electrical Data

Nominal wattage	7 W
Nominal voltage	3.7 V

### Photometric Data

Color temperature	5700 K
Nominal luminous flux	250 lm
Light color LED	White

### Physical Attributes & Dimensions



Product weight	215.00 g
Length	200.0 mm
Width	56.0 mm
Height	41 mm

### LED module information

Number of LEDs per module	2
---------------------------	---

### Colors & materials

Base color	Black / Orange
------------	----------------

## Product datasheet

### Lifetime Data

Guarantee	2 years
-----------	---------

### Additional product data

Type of Battery	Rechargeable
Number of included batteries	1
Scope of battery	Yes
Battery	High-quality lithium-ion battery

### Capabilities

Technology	LED
------------	-----

### Certificates & standards

Standards	CE / EMC / MSDS / ROHS
IK Class	IK07

### Logistical data

Watt hour per battery	10.00
-----------------------	-------

### Environmental & Regulatory Information

Information according Art. 33 of EU Regulation (EC) 1907/2006 (REACH)	
Candidate list substance 1	Lead
CAS No. of substance 1	7439-92-1
Safe use instruction	The identification of the Candidate List substance is sufficient to allow safe use of the article.
Declaration no. in SCIP database	94ddcbeb-ba73-4700-a565-7ccc51aa1508

### Logistical Data



Product code	Product description	Packaging unit (Pieces/Unit)	Dimensions (length x width x height)	Volume	Gross weight
4052899623828	INSPECTION LAMP	Folding carton box 1	90 mm x 50 mm x 210 mm	0.94 dm <sup>3</sup>	635.00 g
4052899623941	INSPECTION LAMP	Shipping carton box 6	200 mm x 170 mm x 240 mm	8.16 dm <sup>3</sup>	5710.00 g

The mentioned product code describes the smallest quantity unit which can be ordered. One shipping unit can contain one or more single products. When placing an order, for the quantity please enter single or multiples of a shipping unit.

## Product datasheet

---

### Download Data

File	
	User instruction LEDinspect MINI 250
	Movie application LEDinspect Inspection Lights Trailer

#### Legal advice

Application advice:

For more detailed application information and graphics please see product datasheet and user instruction.\*for precise conditions please refer to:

[www.osram.com/am-guarantee](http://www.osram.com/am-guarantee)

#### Application advice

For more detailed application information and graphics please see product datasheet.

#### Disclaimer

Subject to change without notice. Errors and omission excepted. Always make sure to use the most recent release.

# OSRAM