

TYREinflate 4000

TYREinflate 4000 OTIR4000



Inflation Time

Inflate the tyre to the desired pressure in approximately 3,5 minutes¹⁾²⁾



Deflator Valve

For deflating too much air



Digital Auto Stop

Automatic stop function when the preset pressure is reached



Cordless and rechargeable

Can be used with or without direct power supply



Rechargeable Digital Tyre Inflator

The OSRAM TYREinflate 4000 is a cordless and rechargeable tyre inflator with Li-Ion battery, making it an ideal companion for camping and road trips. The OTIR 4000 digital tyre inflator can inflate a tyre in just 3,5 minutes¹⁾²⁾. The auto stop function and the deflator valve help to keep the tyres optimally inflated. The backlit LED display and integrated LED light provide improved readability of the pressure settings and improved illumination of the working area even in reduced visibility conditions or at night. Memory setting means you can store pressures for up to 4 vehicles.

OSRAM offers a 2-year guarantee¹⁾ on this product.

1) For precise conditions please refer to: www.osram.com/am-guarantee

2) Based on inflating a 13" tyre from flat to 2.4 BAR

3) Measurements of the tyre pressure and inflation of the tyres to the optimum tyre pressure must always be conducted on cold tyres

Product datasheet

Technical data

Product information

Inflation time	13 Inch Tyre- 0-35 PSI/2.4 BAR-3.5 min, 15 Inch Tyre- 0-35 PSI/2.4 BAR 6 min
Max Pressure	120PSI / 8.3 bar
Air Hose Length	60 cm
Deflation valve	Yes
Power Cord Length	USB-C = 1 m, DC = 3 m
Charge Time (h)	4 hr
LED Light	Yes
Display Size	45mm x 22 mm
Measuring Units	PSI, kPa, bar
Preset Function	Yes
Auto stop	Yes
Storage Case	Yes
Accuracy (bar)	Accuracy of measure: 35±1psi, Accuracy of control:35±1.5psi
Flow rate (l/min)	(35psi) 9l/min , (0psi) 15 l/min

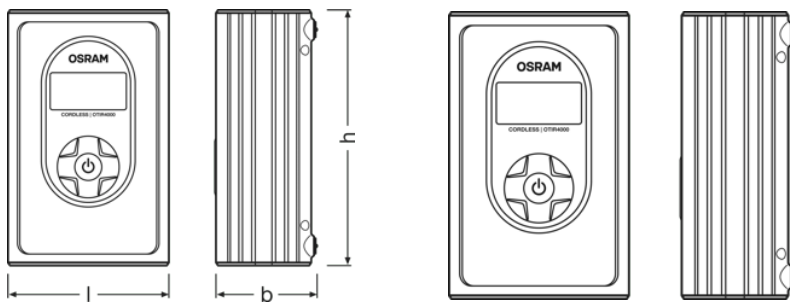
General Product Information

Global order reference	OTIR4000
-------------------------------	----------

Electrical Data

Nominal wattage	120/90 W
Operating Voltage	DC12V/Battery DC7.4V
Power Source	Battery (5000mAh), 12V DC

Physical Attributes & Dimensions



Product datasheet

Length	61.0 mm
Width	95.0 mm
Height	150 mm

Colors & materials

Material	Plastic
----------	---------

Operating Conditions

Noise Level (dB)	90 dB
------------------	-------

Additional product data

Display Type	Digital
Recommended to Use With	Car, Motorbike, Bicycle, Small Inflatables
Extras	Air hose, USB C charging cable, 12 V D.C cable, 3 inflator adaptors, storage case

Capabilities

Accessories	Adaptors for bikes and inflatables
Fuse	15 A

Environmental & Regulatory Information

Information according Art. 33 of EU Regulation (EC) 1907/2006 (REACH)	
Candidate list substance 1	Lead
CAS No. of substance 1	7439-92-1
Safe use instruction	The identification of the Candidate List substance is sufficient to allow safe use of the article.
Declaration no. in SCIP database	593dbda7-6369-474c-8925-958ce33490fe



Logistical Data

Product code	Product description	Packaging unit (Pieces/Unit)	Dimensions (length x width x height)	Volume	Gross weight
4062172306294	TYRE inflate 4000	Folding carton box 1	110 mm x 91 mm x 170 mm	1.70 dm ³	785.00 g
4062172306300	TYRE inflate 4000	Shipping carton box 4	236 mm x 198 mm x 200 mm	9.35 dm ³	3359.00 g

The mentioned product code describes the smallest quantity unit which can be ordered. One shipping unit can contain one or more single products. When placing an order, for the quantity please enter single or multiples of a shipping unit.

Product datasheet

Download Data

File	
	User instruction TYREinflate 4000
	Movie application TYREinflate 4000 Product Video (EN)

Legal advice

- 1) For precise conditions please refer to: www.osram.com/am-guarantee
 - 2) Based on inflating a 13" tyre from flat to 2.41 BAR
 - 3) Measurements of the tyre pressure and inflation of the tyres to the optimum tyre pressure must always be conducted on cold tyres
- Application advice: For more detailed application information and graphics please see product datasheet and the user instruction.

Application advice

For more detailed application information and graphics please see product datasheet.

Disclaimer

Subject to change without notice. Errors and omission excepted. Always make sure to use the most recent release.

OSRAM