

# Lightbar VX180-SP DR



**Robust and vibration resistant**  
Ensuring long life



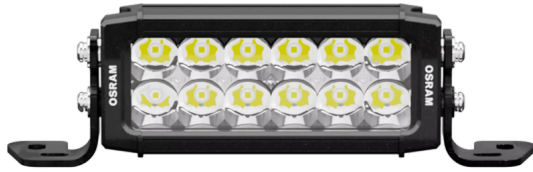
**Up to 200 m long beam**  
Improved far and near field illumination



**Spot Beam**  
For particularly focused high beam distribution



**IP & IK protection classes**  
Tested and validated in a DIN-certified environmental simulation laboratory regarding extreme external influences such as water, dust, shocks, impacts, heat, cold, permanent vibrations and many more



### Powerful LED driving lights for off-road and on-road use

Considerable foresight on dark country roads, forest paths, off the beaten tracks, off-road and on-road- this can be achieved with the OSRAM LEDDriving Lightbar VX180-SP DR. With its 12 powerful, high-performance LEDs, the driving light has a range of up to 200 meters and thus offers the driver impressive foresight on-road and off-road. Even in dim light and reduced visibility due to external environmental influences, the driving light with up to 6000 Kelvin can provide conditions similar to daylight. The power package with up to 2100 lumens scores with highest optical efficiency and homogeneous light distribution. The driving light is characterised by its robust double-row design, providing users with impressive illumination. In addition, the lightbar comes with standard brackets for various mounting options: hanging, standing and side. Versatile applicable, it defies numerous environmental influences and, thanks to high-quality materials such as the aluminum housing and the stable polycarbonate lens, it is particularly light and at the same time robust and resistant. The driving light has been tested and validated with the IP-Protection Classes IP6K8 & IP6K9K in our DIN certified environmental simulation laboratory for extreme external influences regarding water, dust, impacts, heat, cold and permanent vibration. Whether on-road or off-road, the LEDDriving Lightbar VX180-SP DR is an effective and efficient addition to your vehicle and can be attached to cars, trucks, agricultural machinery, commercial vehicles, construction vehicles, caravans, off-road vehicles and quads<sup>1</sup>). OSRAM provides a 2-year guarantee<sup>2</sup>).<sup>1</sup> OSRAM LEDDriving Driving Lights are approved according to ECE regulations and may therefore be installed and operated on public roads. Please note: Special installation regulations apply. In addition to ECE approval of the product, individual special requirements and legislation of the countries must be observed. <sup>2</sup>) For precise conditions refer to: [www.osram.com/am-guarantee](http://www.osram.com/am-guarantee)

# Product datasheet

## Technical data

### Product information

Application (Category and Product specific)	Driving Light - Additional high beam application
---	--

### General Product Information

Global order reference	LEDDL123-SP DR
------------------------	----------------

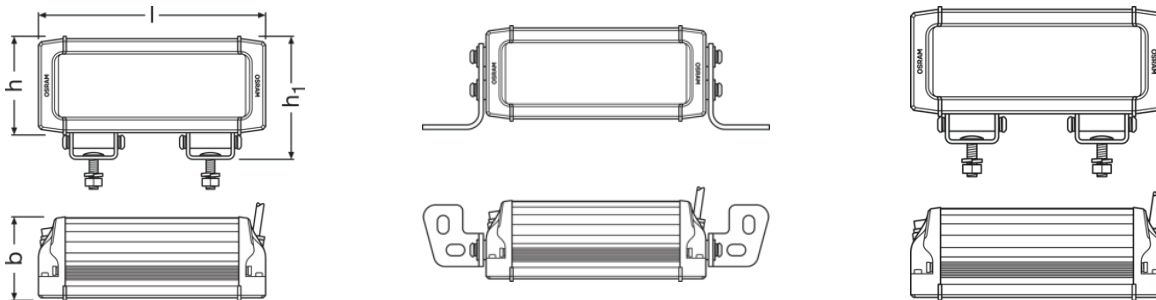
### Electrical Data

Nominal wattage	24 W
Test voltage	13.2 V

### Photometric Data

Nominal luminous flux	2100 lm
Color temperature	6000 K
Light distance at 1lx	200 m

### Physical Attributes & Dimensions



Product weight	621.00 g
Length	168.0 mm
Width	62.0 mm
Height	74.0 mm

### Lifetime Data

Lifespan Tc	> 5000 hr
Guarantee	2 years

### Additional product data

Connector to lamp	Open wire
-------------------	-----------

## Product datasheet

### Capabilities

Technology	LED <sup>1)</sup>
------------	-------------------

<sup>1)</sup> Light-emitting diode application

### Certificates & standards

Approval marks – approval	E9 approval
Type of protection	IP6K8/IP6K9K
Standards	ECE R10, R149
ECE reference number	10

### Logistical data

Commodity code	85122000900
----------------	-------------

### Environmental & Regulatory Information


Information according Art. 33 of EU Regulation (EC) 1907/2006 (REACH)	
Date of declaration	05-09-2024
Declaration no. in SCIP database	In work

### Logistical Data

Product code	Product description	Packaging unit (Pieces/Unit)	Dimensions (length x width x height)	Volume	Gross weight
4062172365284	Lightbar VX180-SP DR LEDDL123-SP DR	Folding carton box 1	284 mm x 110 mm x 123 mm	3.84 dm <sup>3</sup>	782.00 g
4062172365291	Lightbar VX180-SP DR LEDDL123-SP DR	Shipping carton box 8	481 mm x 302 mm x 274 mm	39.80 dm <sup>3</sup>	6945.00 g

The mentioned product code describes the smallest quantity unit which can be ordered. One shipping unit can contain one or more single products. When placing an order, for the quantity please enter single or multiples of a shipping unit.

### Download Data

File
 User instruction LEDriving Lightbar VX180-SP DR LEDDL123 SP DR

### Safety advice

For detailed application information, please refer to the product data sheet and the user instruction

## Product datasheet

### Legal advice

1) OSRAM LEDriving Driving Lights are approved according to ECE regulations and may therefore be installed and operated on public roads. Please note: Special installation regulations apply. In addition to ECE approval of the product, individual special requirements and legislation of the countries must be observed.2) For precise conditions refer to: [www.osram.com/am-guarantee](http://www.osram.com/am-guarantee)

### Application advice

For more detailed application information and graphics please see product datasheet.

### Disclaimer

Subject to change without notice. Errors and omission excepted. Always make sure to use the most recent release.

The OSRAM logo is displayed in a bold, orange, sans-serif font.