

Edition: 05/06 - subject to change
Supersedes: 05/00
Status: valid

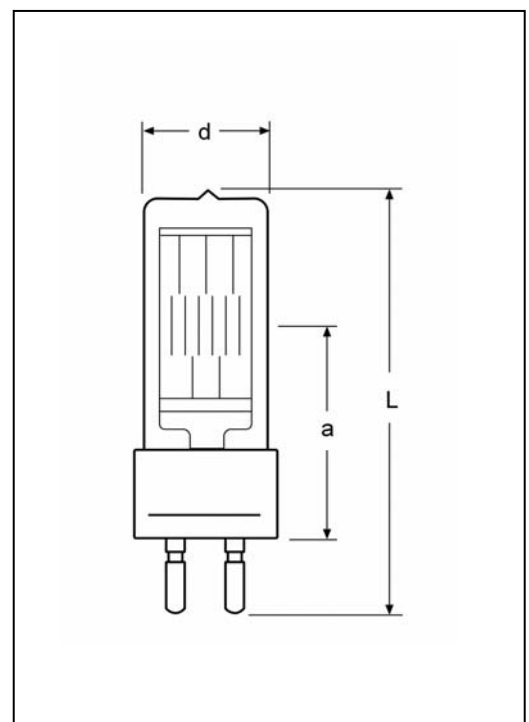
64787 (230V)

■ Product description

The OSRAM 64787 is mainly used for studio and theatre lighting as well as film production and fitted into Fresnel, Profile, PC Spot and Follow Spot luminaires.

■ Technical Data

Lamp / order reference		64787
ANSI		-
LIF		CP/75
Rated lamp wattage	W	2000
Rated lamp voltage	V	230
Average life-time	h	400
Color temperature	K	3200
Luminous flux	lm	52000
Luminous efficacy	lm/W	25.40
Base		G22
Diameter d	mm	34 ± 1
Lamp length L	mm	160 max.
LCL a	mm	75 ± 2
Filament dimensions (w x h)	mm	20 x 19
Type of filament		biplan



■ Lamp operation

Max. pinch seal	°C	350°C max.
Burning position		s90
Fuse protection		10A quick