

Edition: 05/06 - subject to change

Supersedes: /
Status: valid

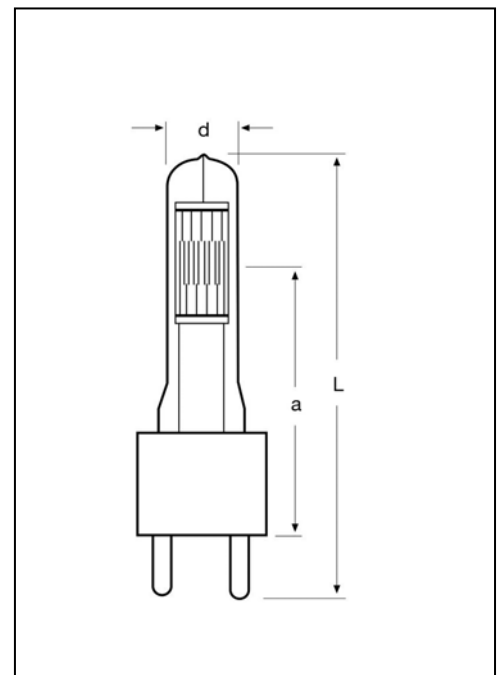
64789 (230/240V)

■ Product description

The OSRAM 64789 is mainly used for studio and film production. This is a popular lamp and widely fitted into Fresnel luminaires.

■ Technical Data

Lamp / order reference		64789
ANSI		FKK
LIF		CP/73
Rated lamp wattage	W	2000
Rated lamp voltage	V	230/240
Average life-time	h	400
Color temperature	K	3200
Luminous flux	lm	52000
Luminous efficacy	lm/W	25.4
Base		G38
Diameter d	mm	34 ± 1
Lamp length L	mm	210 max.
LCL a	mm	127 ± 2
Filament dimensions (w x h)	mm	20 x 19
Type of coil		biplan



■ Lamp operation

Max. pinch seal temperature	°C	350°C max.
Burning position		s90
Fuse protection		10A quick